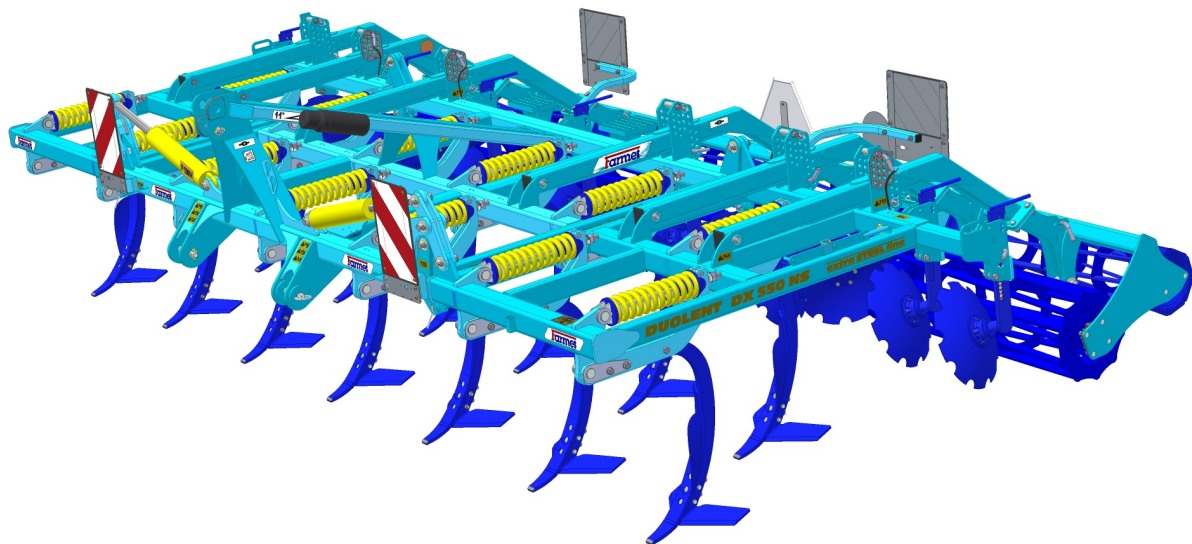


OPERATING MANUAL

DUOLENT

DX 380 NS | DX 460 NS DX 550 NS



Edition: **5** Effective from: **01.11.2017**

FARMET a.s.
Jiřínková 276
552 03 Česká Skalice, CZ

phone: +420 491 450 111
fax: +420 491 450 136
GSM: +420 774 715 738

IČ: 46504931
DIČ: CZ46504931

www.farmet.cz
e-mail: farmet@farmet.cz

PREFACE

Dear customer,

The agricultural machine you have purchased is a high-quality product of Farmet a.s. Česká Skalice.

You can fully utilise the advantages of your machine after thoroughly studying the operating manual.

The serial number of the machine is punched on the production label and written in the operating manual (Your Machine Characteristics). This machine serial number must be stated whenever ordering spare parts for possible repairs. The production label is located on the frame .

Use only spare parts for these machines according to the **Spare parts catalogue** officially issued by the manufacturer, Farmet a.s. Česká Skalice.

POSSIBILITIES OF USE OF YOUR MACHINE

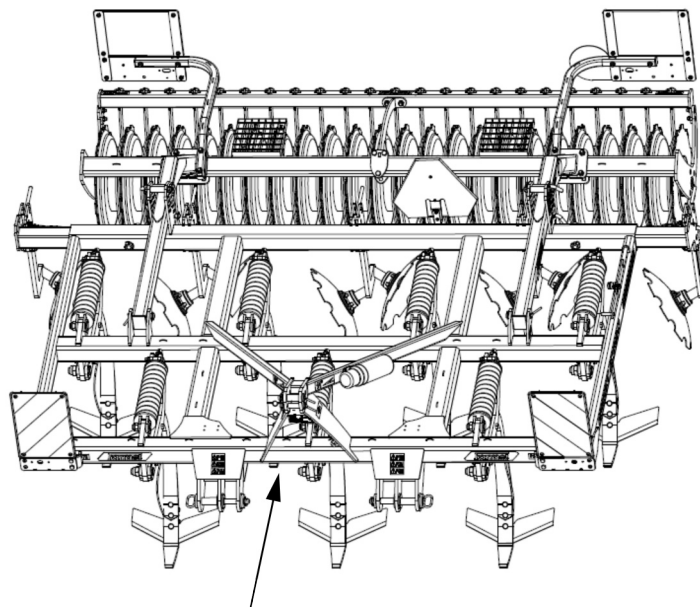
The cultivator **DUOLENT** is designed for cultivation of all types of soils up to a processing depth of 35 cm (13,8 in).

YOUR MACHINE CHARACTERISTICS :

MACHINE TYPE :

MACHINE SERIAL NUMBER :

SPECIAL DESIGN OR ACCESSORIES :



IMPORTANT

READ CAREFULLY BEFORE USE

KEEP FOR FUTURE REFERENCE

Contents

PREFACE	3
1 MACHINE LIMIT PARAMETERS	7
1.1 Technical parameters.....	8
1.2 Safety statement.....	8
2 GENERAL INSTRUCTIONS FOR USE	9
3 MACHINE TRANSPORT USING TRANSPORT MEANS	11
4 MACHINE HANDLING USING LIFTING EQUIPMENT	12
5 WORK SAFETY LABELS.....	13
6 DESCRIPTION.....	16
6.1 Working parts of the machine.....	16
6.1.1 Description and setting of the ring roller	17
7 MACHINE ASSEMBLY AT THE CUSTOMER.....	18
8 COMMISSIONING.....	19
8.1 Agregation to a tractor	20
8.2 Hydraulics connection.....	21
8.3 Folding and unfolding of the machine.....	21
9 MACHINE TRANSPORT ON ROADS.....	23
10 MACHINE ADJUSTMENT	25
10.1 Adjusting the working depth of the machine	25
10.2 Share securing.....	27
10.3 Placement of top left and right shares on the machine.....	28
11 MACHINE MAINTENANCE AND REPAIRS.....	30
12 MACHINE STORAGE.....	31
13 MACHINE LUBRICATION SCHEDULE	32
14 ENVIROMENTAL PROTECTION	33
15 MACHINE DISPOSAL AFTER SERVICE LIFE EXPIRY.....	34
16 SERVICING AND WARRANTY CONDITIONS	35
16.1 Servicing.....	35
16.2 Warranty	35

1 MACHINE LIMIT PARAMETERS

- The machine is designed for soil cultivation up to a depth of 35 cm (13.8 in) when agricultural soil cultivation. Another type of use exceeding the determined purpose is forbidden.
- The machine is only operated by one person – the tractor driver.
- Machine operator must not use the machine in a different way, especially:
 - Transport of persons and animals on the machine structure,
 - Transport of burdens on the machine structure,
 - Aggregation of the machine with another towing equipment than stated in Chapter 8.1.

1.1 Technical parameters

PARAMETERS	DUOLENT DX 380 NS	DUOLENT DX 460 NS	DUOLENT DX 550 NS
Working width	3,78 m (12,4 ft)	4,62 m (15,16 ft)	5,46 m (17,9 ft)
Transport width	2,2 m (7,2 ft)	3 m (9,84 ft)	3m (9,84 ft)
Transport height	2,5 m (8,2 ft)		
Machine total length	3,35 m (11 ft)		
Working depth	max 35 cm (13,8 in)		
Number of shares	9	11	13
Working performance	3,1 – 4,5 ha/h (7,6 – 11,1 ac/h)	3,7 – 5,5 ha/h (9,1 – 13,6 ac/h)	4,4 – 6,6 ha/h (10,9 – 16,3 ac/h)
Towing means	120 - 210 kW (161 - 282 HP)*	150 - 270 kW (201 - 362 HP)*	180 - 320 kW (241 - 429 HP)*
Working speed	8–12 kph (5 - 7,5 mph)		
Maximum transport speed	20 kph (12,4 mph)		
Maximum slope grade	6 (°)		
Machine weight	2220 kg (4894 lb)	2570 kg (5666 lb)	1475 – 1585 kg (6437 lb)

* Recommended towing means, the real towing force may significantly vary according to the processing depth, soil conditions, land slope, working body wear and adjustment.

1.2 Safety statement



This warning sign warns about an immediate dangerous situation ending with death or severe injury.






This warning sign warns about a dangerous situation ending with death or severe injury.



This warning sign warns about a situation that may end with a smaller or slight injury. It also warns about dangerous actions related to the activity that could lead to an injury.

2 GENERAL INSTRUCTIONS FOR USE

- The machine is made in accordance with the latest equipment state and approved safety regulations. However, dangers of user or third person injury or machine damage or creation of other material damage may arise during use.
- Use the machine only in a technically sound condition, in accordance with its purpose, aware of possible dangers, and while adhering to the safety instructions of this operating manual!
The Manufacturer is not liable for damages caused by the use of the machine that is in contradiction with the limit parameters of the machine and with the instructions for the use of the machine. The User bears the risk.
Immediately remove especially the failures that may negatively affect safety!
- Machine operation may be performed by a person authorised by the operator under these conditions:
 - It must own a valid driver's licence of the corresponding category,
 - It must be demonstrably familiarised with the safety regulations for work with the machine and must practically master the machine operation,
 - The machine may not be operated by juveniles,
 - It must know the meaning of the safety signs located on the machine. Their respecting is important for safe and reliable machine operation.
- Maintenance and servicing repairs on the machine may only be performed by a person :
 - Authorised by the operator,
 - Educated in the machinery field with knowledge of repairs of similar machines,
 - Demonstrably familiarised with safety regulations for work with the machine,
 - During a repair of a machine connected to a tractor, it must own a driver's licence of the corresponding category.
- Machine operator must secure the safety of other persons when working with the machine or transporting the machine.
- During machine work in the field or during transport, the operator must control the machine from the tractor's cabin.
-  The operator may enter the machine structure only with the machine at rest and blocked against movement, namely only for these reasons:
 - Adjustment of the machine working parts,
 - Repair and maintenance of the machine,
-  When stepping on the machine, do not step on roller tyres or other rotary parts. Those may turn and you can cause very serious injuries by the subsequent fall.
-  Any changes or modifications of machine may be performed only with written consent of the manufacturer.
For possible damage arisen due to ignoring this instruction, the producer bears no responsibility.
The machine must be maintained equipped with prescribed accessories and equipment including safety marking.
All warning and safety signs must be legible and in their places. In case of damage or loss, these signs must be immediately renewed.
- The operator must have the Operating Manual with the work safety requirements available at any time when working with the machine.



- The operator must not consume alcohol, medicines, narcotic and hallucinogenic substances that decrease his attention and coordination capabilities while using the machine.
If the operator must use medicines prescribed by a physician or uses freely sold medicines, he must be informed by a physician, whether he is capable of responsible and safe operation of the machine under these circumstances.


Protective tools :

For operation and maintenance use:



- tight clothes
- protective gloves and goggles against dust and sharp parts of the machine



3 MACHINE TRANSPORT USING TRANSPORT MEANS

- The transport means designed for machine transport must have the load capacity minimally identical with the weight of the transported machine. The total weight of the machine is stated on the production label.
- The dimensions of the transported machine including the transport means must comply with the valid regulations for road traffic (decrees, laws).
-  • The transported machine must be always fastened to the transport means so that its spontaneous loosening could not happen.
- The carrier is responsible for damage caused by the loosening of incorrectly or insufficiently fastened machine to the transport means.

4 MACHINE HANDLING USING LIFTING EQUIPMENT

- The lifting equipment and tying means designed for handling of the machine must have their load capacity at least identical with the weight of the handled machine.
-  • Machine fastening for handling may only be performed in places designed for that and marked with self-adhesive labels showing the "chain" symbol. 
- After fastening (suspending) at designated points, it is forbidden to move in the space of possible reach of the handled machine.

5 WORK SAFETY LABELS

Warning safety labels serve for operator protection.

General:

- Strictly observe the warning safety labels.
- All safety instructions also apply to other users.
- Upon damage or destruction of the aforementioned "SAFETY LABEL" located on the machine, THE OPERATOR IS OBLIGED TO REPLACE IT WITH A NEW ONE!!!
- The position, appearance and the precise meaning of the work safety labels on the machine are determined in the following tables and the figure .

WARNING SAFETY LABEL	LABEL TEXT	MACHINE POSITION
	<p>Before handling the machine, carefully read the operating manual. Observe the instructions and safety regulations for machine operation during use.</p>	P 1 H
	<p>When connecting or disconnecting, do not step between the tractor and the machine, also do not enter this space, if the tractor and the machine are not at rest and the engine is not turned off.</p>	P 2 H
	<p>Stay out of reach of the drawn-up machine.</p>	P 4 H
	<p>Stay outside the reach of the tractor - agricultural machine set, if the tractor engine is in operation.</p>	P 6 H
	<p>The side extensible disc must be secured with the stopper for transport and during work. The rear twin roller must be secured with the stopper for transport. Before commencing the machine transport, secure the axle with spherical valves against unexpected drop.</p>	P 13 H
	<p>When folding the side frames, do not reach into the space of the machine folding joints. There is a danger of cutting when setting the depth of the machine.</p>	P 20 H

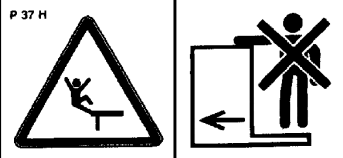
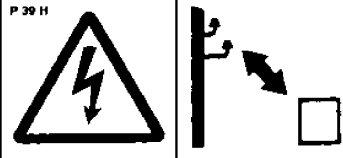

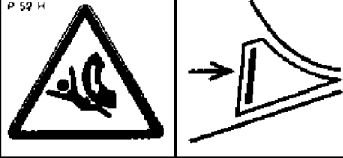
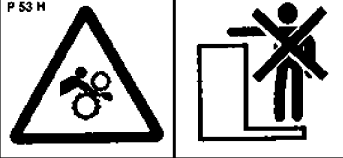

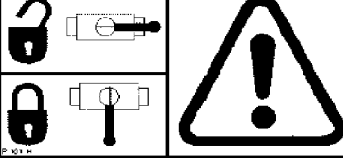
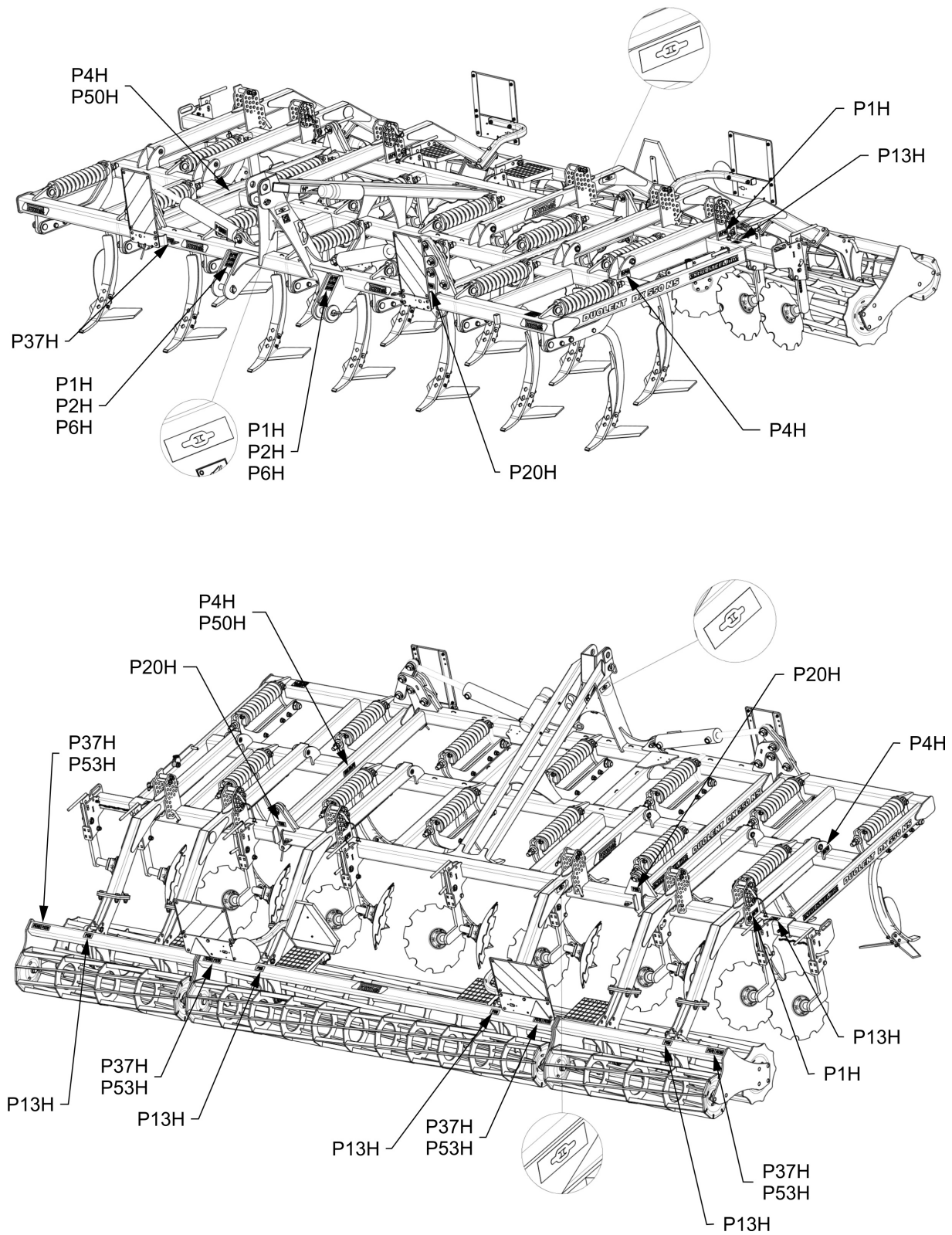
	<p>Travelling and transport on the machine structure is strictly forbidden.</p>	<p>P 37 H</p>
	<p>When working and transporting the machine, maintain safe distance from the electric appliances.</p>	<p>P 39 H</p>
	<p>When folding and unfolding the side frames, stay outside their reach.</p>	<p>P 50 H</p>
	<p>Secure the machine against unwanted movement by positioning on its working bodies (shares).</p>	<p>P 52 H</p>
	<p>Do not approach the rotary parts of the machine, if these are not at rest, i.e. they do not turn.</p>	<p>P 53 H</p>
	<p>It is strictly folding and unfolding the side frames on slopes or inclined surfaces.</p>	<p>P 100 H</p>
	<p>The shown positions of the lever and the function of the hydraulic spherical valve located on the piston rod.</p>	<p>P 101 H</p>

Fig. 1 - Location of safety labels on the machine

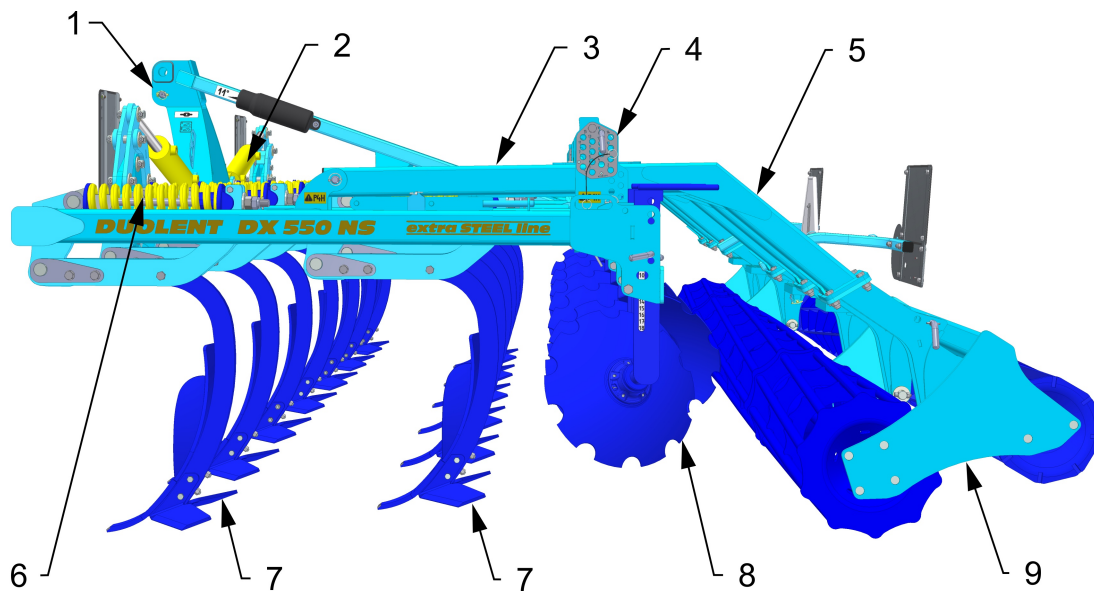


6 DESCRIPTION

The machine **DUOLENT DX 380 NS, DX 460 NS, DX 550 NS** is structurally solved as carried.

Machine DX 380 NS is equipped with TPS 2 and TPS 3 suspension. Machines DX 460 NS and DX 550 NS are equipped with TPS 3 and „KIROVEC“ suspension. DUOLENT consists of a central framework and two folding side frameworks with two rows of shares with an automatic spring securing. There is a row of discs on the rear crossbar of the framework. There are also swinging rear frames equipped with the rear roller attached to the main frame. Side frameworks are unfolded with the use of rectilinear hydraulic motors connected to the external hydraulic circuit.

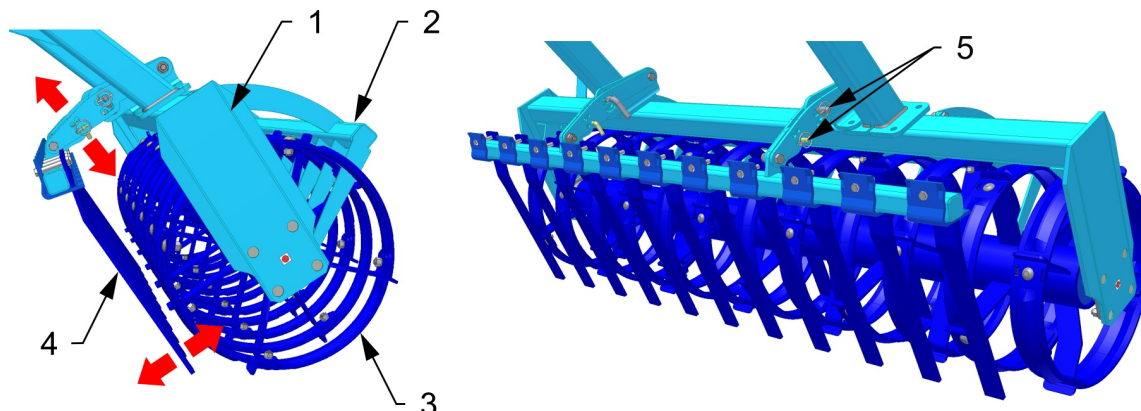
6.1 Working parts of the machine



1. TPS towing suspension
2. Hydraulic motor
3. Machine framework
4. Setting the depth of the rollers
5. Rear roller framework
6. Spring protection
7. Sections of shares in 2 rows; screwed chisels with cutting wings
8. Sections of angle discs
9. Rear roller

6.1.1 Description and setting of the ring roller

The roller with wheels consisting of ring segments is attached to the frame. There is a row of leveller blades in front of the roller. The height as well as angle of the blades can be adjusted. The correct setting of the blades is essential for the correct function of the roller. The setting of the blades must be first tested and adjusted under factual conditions.



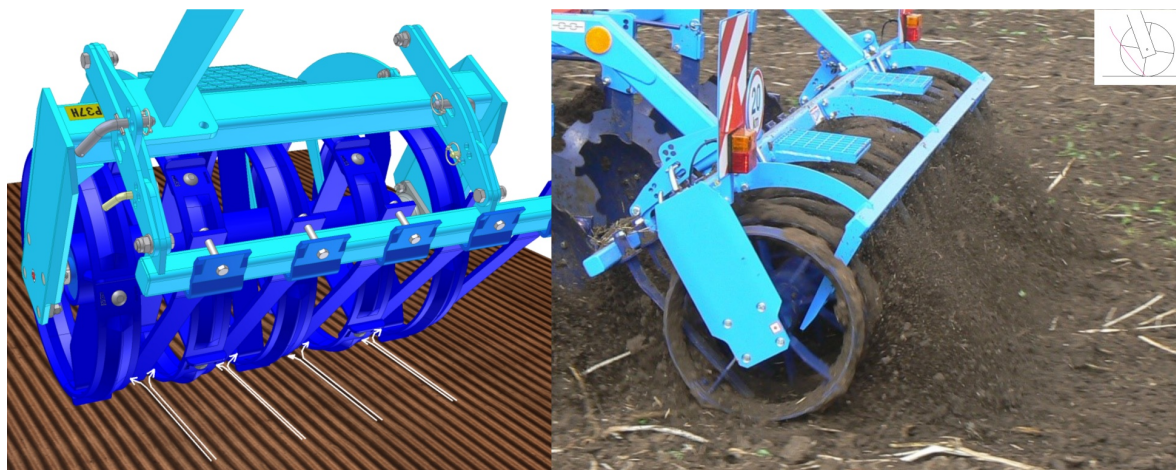
- 1. Roller frame
- 2. Roller cleaner
- 3. Roller
- 4. Front leveller blades
- 5. Bolts for adjusting leveller blades

Possibilities for setting front leveller blades


1. Front leveller blades located in front of the roller wheels throw clods directly under the wheels that crush them.



2. Front leveller blades located between the roller wheels throw soil inside the wheels. Clods of soil are thus partially crushed by the wheels and partially crushed inside the wheels. With this setting, the surface is covered with soft soil after work.



7 MACHINE ASSEMBLY AT THE CUSTOMER

- The operator must perform the assembly according to the instructions of the producer, best in cooperation with the expert servicing technician determined by the producer.
-  • The operator must secure a functional test of all assembled parts after the completion of the machine assembly.
- The operator must secure that the handling of the machine using lifting equipment during its assembly is in accordance with chapter „4“.

8 COMMISSIONING



- Before taking over the machine, test and check, whether damage occurred during transport and whether all parts contained in the bill of delivery were supplied.
- Before commissioning the machine, carefully read this operating manual, especially Chapters 1–5. Before the first use of the machine, familiarise yourselves with its controls and overall function.
- During work with the machine, observe not only the instructions of this operating manual, but also generally valid regulations of work safety, health protection, fire and transport safety, and environmental protection.
- The operator must check the machine before every use (commissioning) from the standpoint of completeness, work safety, work hygiene, fire safety, transport safety, and environmental protection. A machine showing signs of damage must not be commissioned.
- Aggregation of the machine with the tractor is to be performed on a flat and hardened surface.
- When working on slopes, observe the lowest slope grade of the set **TRACTOR - MACHINE**.
- Before starting the tractor motor, check whether no person or animal is in the working space of the set and push the warning sound signal.
- The operator is responsible for the safety and all damage caused by the operation of the tractor and the connected machine.
- The operator is obliged to adhere to the technical and safety regulations of the machine determined by the producer when working.
- The operator is obliged to retract the working bodies of the machine from the ground when turning at the headland.
- The operator is obliged to observe the prescribed working depths and speeds stated in the manual in Chap.1 when working with the machine.
- The operator is obliged to lower the machine to the ground and secure the set against movement before leaving the tractor cabin.
- Lower the machine with caution so that the chisels and shares are not damaged by sharp lowering to the ground. Position the machine on a flat ground so that the weight of the machine is evenly transferred to all shares

8.1 Agregation to a tractor

- The machine can be connected only to a tractor, whose curb weight is identical or higher than the overall weight of the connected machine.
- The machine operator must observe all generally valid regulations of work safety, health protection, fire safety, and environmental protection.
- The operator may connect the machine exclusively to a tractor that is equipped with a rear three-point suspension and a functional undamaged hydraulic system.
- The table of requirements for the towing means for work with the machine:

Requirement for the tractor engine power for cultivator DX 380 NS		120-210 kW* (161-282 HP)*	
Requirement for the tractor's TPS	Spacing of the lower suspension joints (measured at the joint axes)	TPS 2	870+/- 1,5 mm (34,25 in)
		TPS 3	1010+/- 1,5 mm (39,76 in)
	ø of the hole of the lower suspension joints for the machine suspension pivots	TPS 2	28,7 – 29,03 mm (1,13 – 1,14 in)
		TPS 3	37,4 - 37,75 mm (1,472 – 1,486 in)
	ø of the hole of the upper suspension joint for the machine suspension pivot	TPS 2	25,7 – 25,91 mm (1,012 – 1,020 in)
		TPS 3	32,0 – 32,25 mm (1,260 – 1,270 in)
Requirement for the tractor engine power for cultivator DX 460 NS		150-270 kW* (201-362 HP)*	
Requirement for the tractor engine power for cultivator DX 550 NS		180-320 kW* (241-429 HP)*	
Požadavek na TBZ traktorů	Spacing of the lower suspension joints (measured at the joint axes)	TPS 3	895±1,5 mm (35,24 in)
		KIROVEC	1110±1,5 mm (43,7 in)
	ø of the hole of the lower suspension joints for the machine suspension pivots	TPS 3	37,4 – 37,75 mm (1,472 – 1,486 in)
		KIROVEC	60,5 – 61 mm (2,381 – 2,401 in)
	ø of the hole of the upper suspension joint for the machine suspension pivot	TPS 3	32,0 – 32,25 mm (1,260 – 1,270 in)
		KIROVEC	39,5 – 40 mm (1,555 – 1,574 in)
Requirement for the tractor's hydraulic system	Side frame folding circuit	Circuit pressure 200bar (2900 Psi), 2 pcs of quick-coupler sockets ISO 12,5	

* Recommended towing means, the real towing force may significantly vary according to the processing depth, soil conditions, land slope, working body wear and adjustment.

- Connect the machine using the TPS suspension bar to the lower arms of the rear TPS of the tractor, secure the TPS arms using pins against disconnecting.
- Connect the third point of the tractor only to the circular hole both for work and transport. (concerns machine DX 380 NS).
- The machine aggregated with the tractor changes the distribution of the weight to the individual axles of the tractor. The weight of the front axle is reduced and therefore the controllability gets worse. It also affects braking properties.



When connecting, no persons may stay in the space between the tractor and the machine.

8.2 Hydraulics connection

- Connect the hydraulics only when the hydraulic circuits of the machine and the tractor (aggregate) are in a pressure-less condition.
- The hydraulic system is under high pressure. Regularly check for leaks and immediately remove obvious damage of all lines, hoses, and pipe unions.
- When seeking and removing leaks, use only the suitable tools.
- For connecting the hydraulic system of the machine to the tractor, use the plug (on the machine) and the socket (on the tractor) of the quick-couplers of the same type. Perform the connection of the quick-couplers of the machine to the hydraulic circuits of the tractor so that the folding of the side frames (**BLUE and WHITE DUST CAP**) is on one control circuit.



In order to prevent accidental or foreign person (children, passengers) caused movement of the hydraulics, the control switchboards on the tractor must be secured or blocked in the transport position.

8.3 Folding and unfolding of the machine



With all hydraulic movements, lower the speed of the moving parts of the machine before stopping by throttling the corresponding valve at the control unit!

- The hydraulics for the folding and unfolding must be connected to the double-action control unit.



- The operator must ensure that during folding and unfolding of the side frames, no person or animal is within their reach (i.e. at the place of their impact) or vicinity and that no one puts his fingers into the joint space.

- If the machine is equipped with extensible discs, the operator must ensure that the discs are pushed in and secured with the stopper in the transport position when folding and unfolding (Fig.3).



- Perform folding and unfolding on flat and solid surfaces or laterally to the slope with the fully open control unit.
- Only perform folding or unfolding with a machine that is lifted on the suspender of the tractor.
- Remove stuck soil from folding points, soil may impair function and cause damage to the mechanics.
- During folding or unfolding, check the side frames and have them continuously fold into the end position to the stoppers.

Procedure for lowering the machine:


- Push in the side extensible discs into the transport position (Fig.3), if the machine is equipped with them, and secure them with the stopper.
- Remove the securing stoppers located under the lowering joints.
- Lift the machine on the suspender of the tractor.
- Place the safety triangle for slow vehicles on the frame of the rear roller, i.e. into the transport position (Fig. 6 - detail A)
- If the machine is equipped with twin rollers, put the central and side twin rollers into the transport position with the use of securing stoppers (Fig.5).
- Lower the side frameworks smoothly.
- Block or close the controlling unit.


Procedure for unfolding the machine:

- Lift the machine on the suspender of the tractor.
- Unfold the side frameworks smoothly.
- Secure the side frameworks from lifting during work with securing stoppers.
- Push out the side extensible discs into the working position (Fig.2), if the machine is equipped with them, and secure them with the stopper.
- If the machine is equipped with twin rollers, put the central and side twin rollers into the working position with the use of securing stoppers (Fig.4).
- Block or close the controlling unit.
- Place the safety triangle for slow vehicles in the holder in the front part of the left side frame, i.e. into the work position (Fig.6)

9 MACHINE TRANSPORT ON ROADS

Transport position of DUOLENT DX 380 - 550 NS

- 
 - Connect the machine by suspending on the tractor using the three-point suspension equipment .
 - Insert the side angle discs on the side frame into the transport position (Fig.3).
 - Turn over the rear twin rollers and secure it with the stopper (Fig.5) – only if the machine is equipped with the rear twin rollers.
 - Lower the side frameworks in the transport position
 - The machine must be equipped with removable shields with marking of contours, functional lighting, and the triangle of the rear marking for slow vehicles (according to ECE No. 69).
 - The rear marking triangle for slow vehicles must be placed in the transport position on the frame of the rear roller during transport on ground communications (Fig. 6 – detail X)
 - The lighting must be activated during travelling on roads.
 - The tractor must be equipped with a special light device of an orange colour, which must be activated during travelling on roads.
 - The maximum transport speed during travelling on roads is **20 km/hod (12,4 mph)**.
 - Secure the lower shoulders of the tractor TPS from side swing.


The triangle of the rear marking for slow vehicles must be placed in the transport position in the holder on the frame of the rear roller during transport on ground communications (Fig.6 – detail X). During work activity, the triangle must be placed in the holder in the front part of the left side frame.


Ban of transport with decreased visibility!

Fig. 2 - Side angle discs in the working position



Fig. 3 - Side angle discs in the transport position



Fig. 4 - rear twin roller in the working position

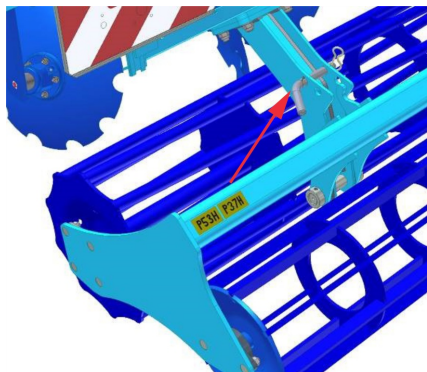
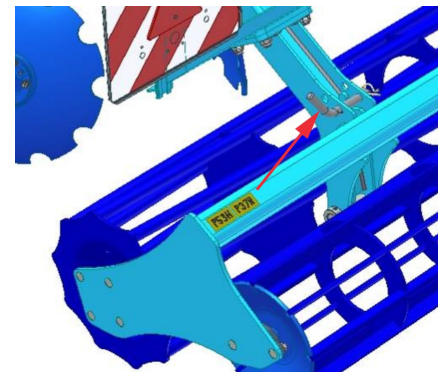
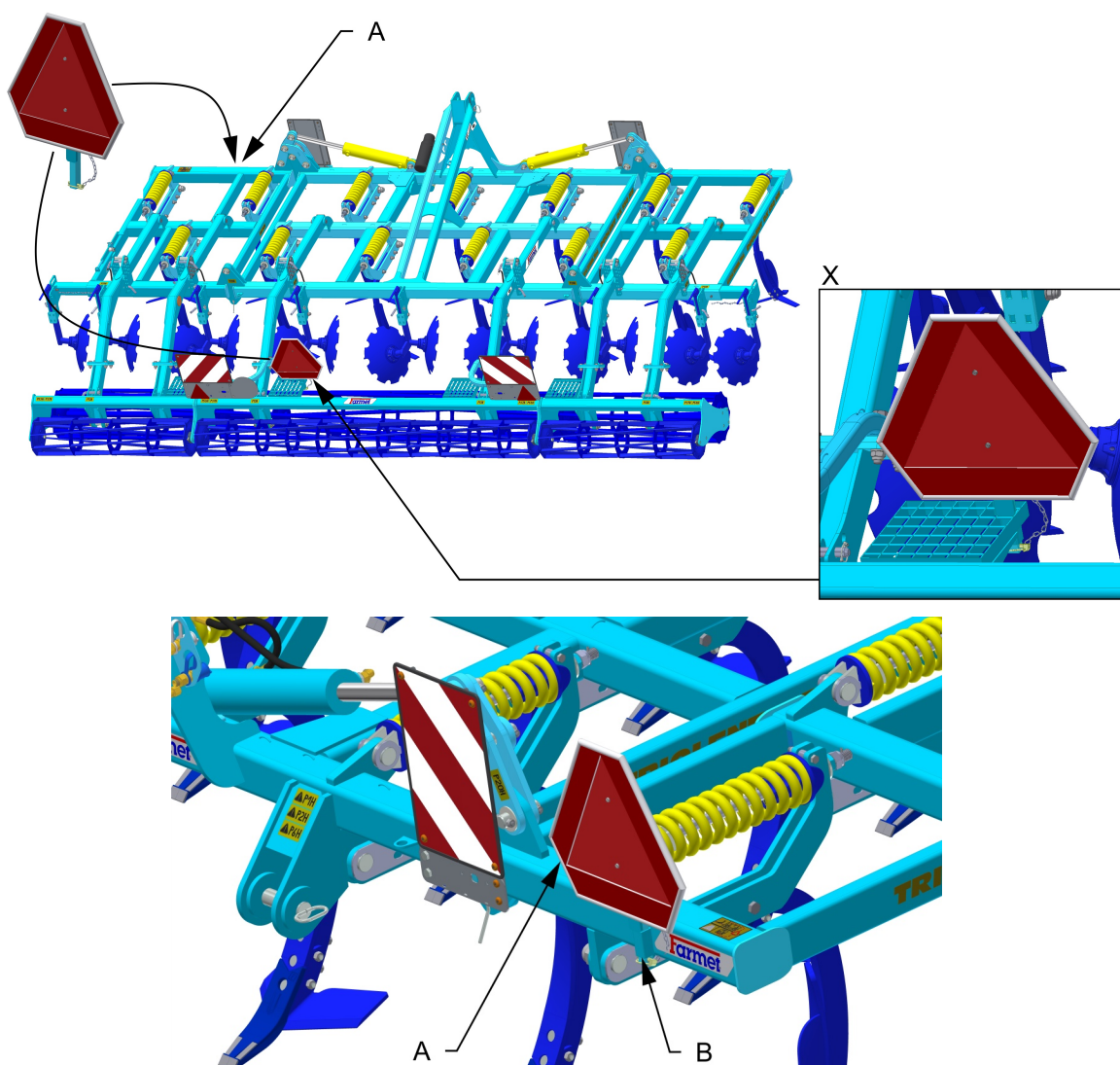


Fig. 5 - rear twin roller in the transport position



- Bring the machine into the transport position.
- The operator is obliged to pay increased attention during transport on roads, due to the transport dimensions of the machine.
- The operator must observe the valid regulations for transport on roads (laws, decrees) after connecting the machine to the tractor, for reason of a change of the axle load. The driving properties of the set also change depending on the terrain nature, adapt the manner of driving to these conditions.
- The operator is obliged to present the machine certificate of roadworthiness as needed, according to the valid regulations for road traffic (decree, law) (only in the Czech Republic).
- The operator is obliged to secure sufficient outlook during reversing from his position of the tractor driver. In case of insufficient outlook, the operator is obliged to call a competent and informed person.
- The operator must secure the arms of the rear TPS of the tractor in the transport position during road transport, i.e. prevent unexpected arm drop using the hydraulic arm control lever. At the same time, the arms of the rear TPS of the tractor must be secured against side swinging.
- During machine transport on roads, the operator must observe the valid laws and decrees that deal with this topic and which specify the relationships of the tractor axle load depending on transport speed.

Fig. 6 - location of the triangle for rear marking for slow vehicles



A – Work position of the triangle

B – Holder for attaching the triangle during work activity of the machine

10 MACHINE ADJUSTMENT

10.1 Adjusting the working depth of the machine

! Execute the adjustment only when the machine is set on the shares or when it is recessed (see below).

- !**
1. If the machine is equipped with a twin roller, first pull out the stopper securing the roller for transport.
 2. Set the working depth by the upper stopper on the gate of the rear framework of the roller on the scale from 1 to 16.
 3. Set the lengthwise level of the machine by the position of the bottom shoulders of the tractor and adjusting the drawbar of the third point of the tractor, this will ensure even processing depth of the first and second row of shares.

The safety triangle must be put into the work position when working. (Fig.6)

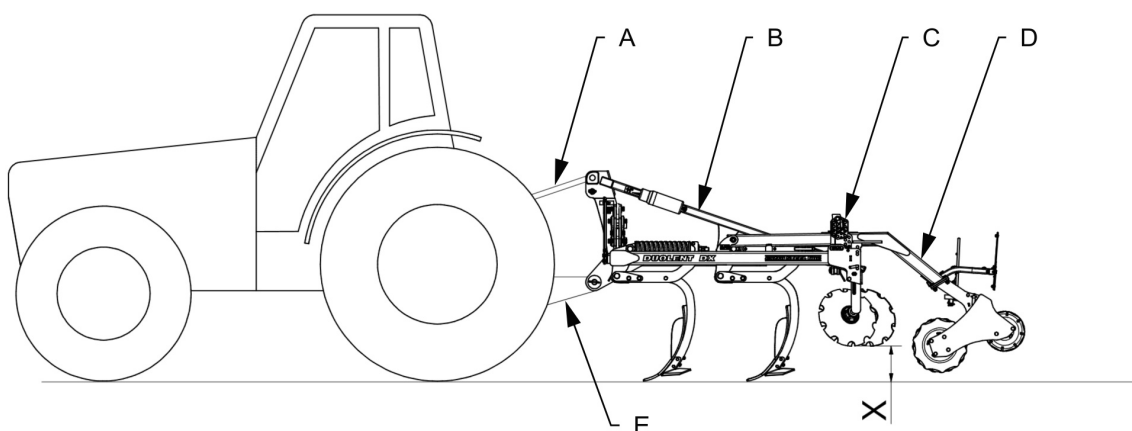
4. Set the working depth of the rectifying discs by moving them in the holders and changing the position of the stopper. Observe caution during the setting. Properly set discs will ensure perfect levelling and covering by fine soil in the whole width of the swathe. When the disc depth is too low, there are lines after the rear shares. When the discs are set too deep, there are tracks of heaped soil after the machine. Check the proper setting of the discs during work – the setting may vary due to the soil conditions and wear and tear of the discs.

You can use the auxiliary handle attached to the left side of the frame of the machine for disc setting. After putting the handle into the disc holder (Fig.7) set the disc into the required position and secure with a stopper.

There is a label for disc depth setting is located on the left side rectifying disc for better arrangement (Fig.7). The values on the label are for orientation only and they do not have to correspond with the values on the rear frame gate.

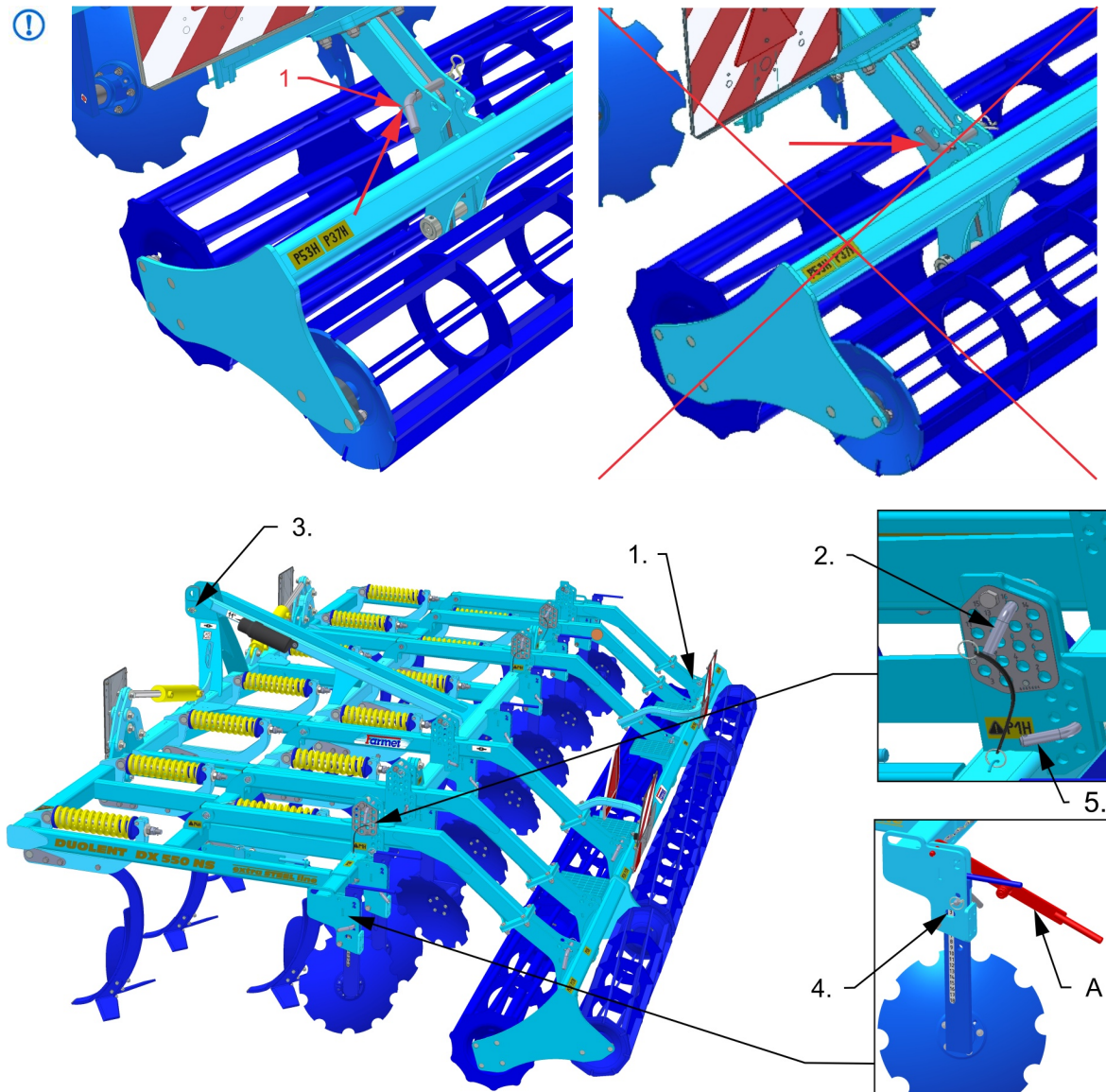
! **The working depth of the discs must never be identical with the working depth of the shares–„X“**

5. Recess the machine into the soil, leave it recessed and secure the machine by the bottom stopper on the gate of the rear framework from undesirable falling of the rear frameworks with the roller on the main machine framework when working on the plough turning end. Push the stopper into the closest hole under the rear framework.
6. The depth setting must be the same on the left and right side of the machine.



- A. Tractor's three-point pull rod
- B. Three-point flange
- C. Rear frame gates
- D. Rear swinging frames with rollers
- E. Tractor hydraulics arms

Fig. 7 - Machine adjustment procedure

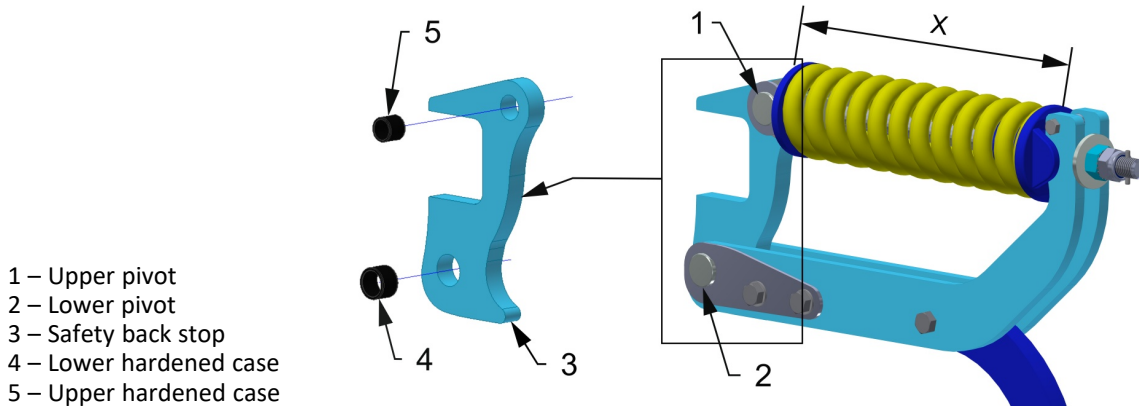


A – Auxiliary handle for disc setting

Table of orientation depth of the machine DUOLENT			
Setting scale	Orientation depth (mm / in)	Setting scale	Orientation depth (mm / in)
1	60 / 2,36	9	204 / 8,03
2	78 / 3,07	10	222 / 8,74
3	96 / 3,78	11	240 / 9,45
4	114 / 4,49	12	258 / 10,16
5	132 / 5,20	13	276 / 10,87
6	150 / 5,90	14	294 / 11,57
7	168 / 6,61	15	312 / 12,28
8	186 / 7,32	16	330 / 13,00

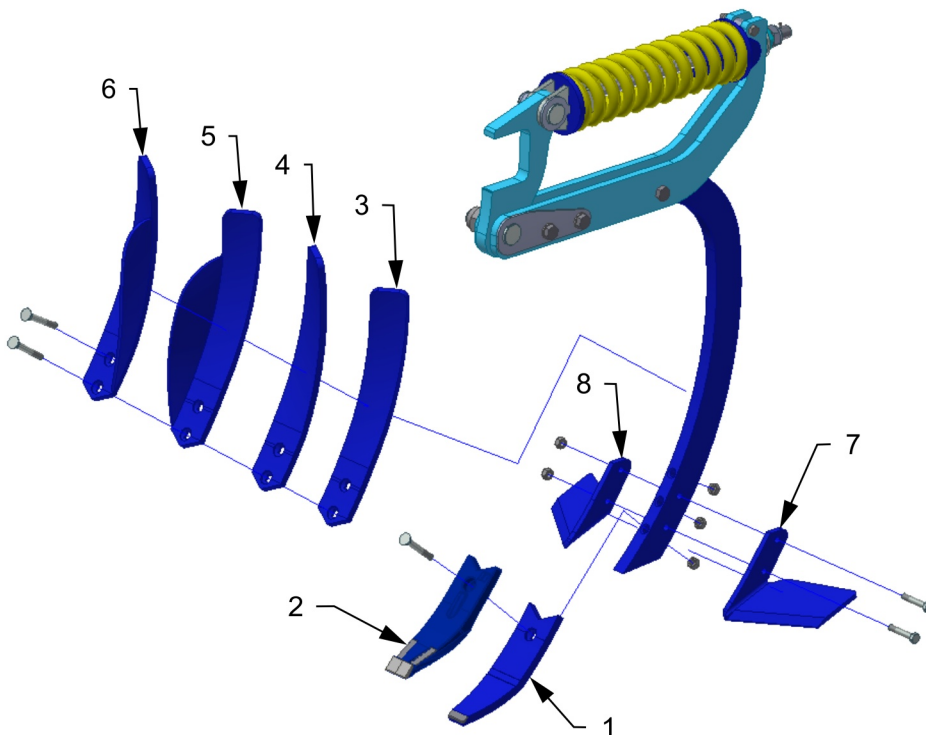
10.2 Share securing

- ❗ • The basic setting of the securing spring is performed by the manufacturer at 395 ± 5 mm so it is horizontal.
- Regularly check the nut tightening of the lower and the upper pivot of the securing, tighten as needed.
- Regularly check the nut tightening of the securing rod.



- 1 – Upper pivot
- 2 – Lower pivot
- 3 – Safety back stop
- 4 – Lower hardened case
- 5 – Upper hardened case

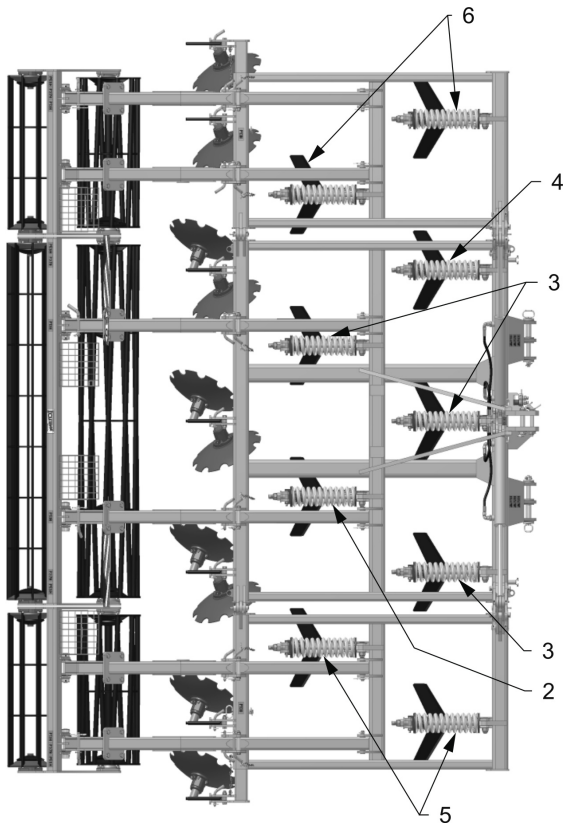
SHARES



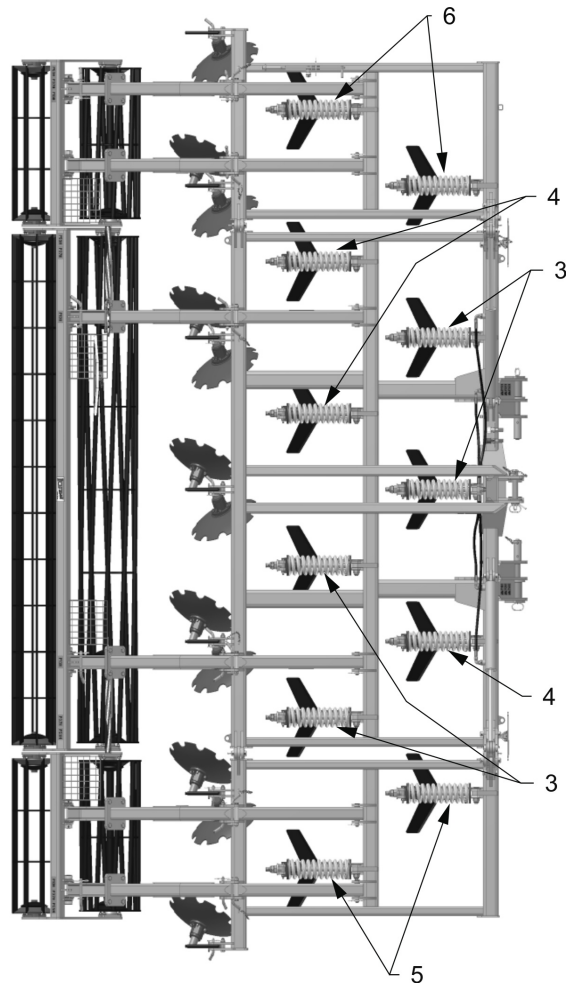
Shares - nomenclature			
Pos.	Title	Pos.	Title
1	Lower share SK	5	Top right share with deflector
2	Lower share MULTICARBIDE	6	Top left share with deflector
3	Top right share	7	Left wing
4	Top left share	8	Right wing

10.3 Placement of top left and right shares on the machine

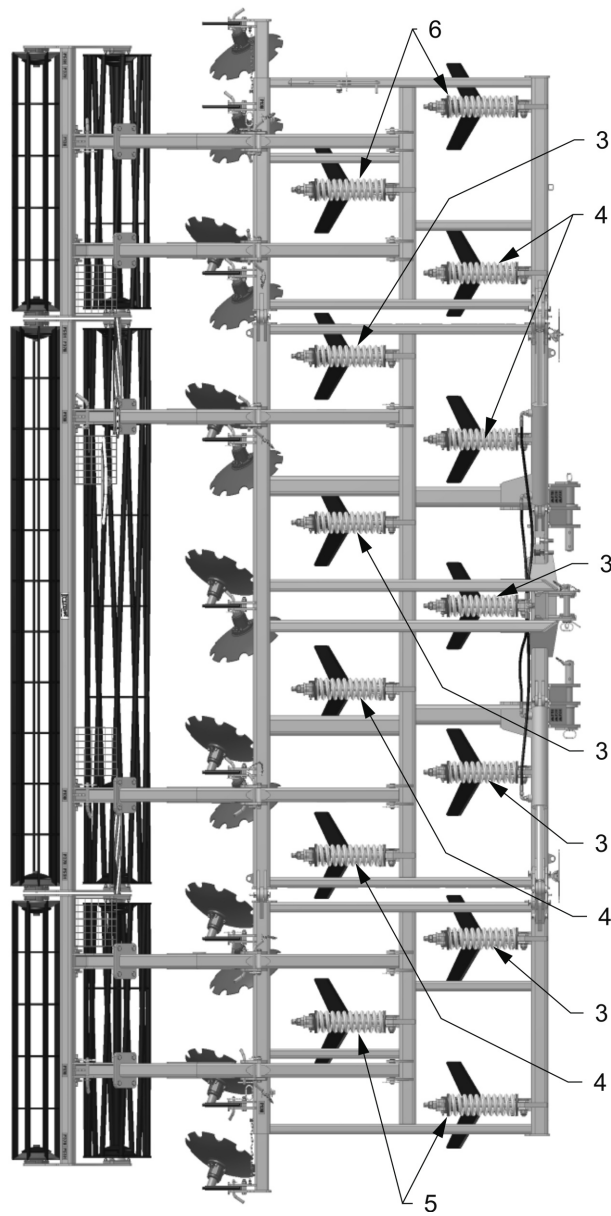
DX 380 NS



DX 460 NS




DX 550 NS



11 MACHINE MAINTENANCE AND REPAIRS



Observe the safety instructions for treatment and maintenance.

- If it is necessary to weld during the repair and have the machine connected to the tractor, it must have disconnected supply cables from the alternator and the accumulator.
- Check the tightening of all screw and other assembly connections at the machine before every use of the machine, furthermore continuously as needed.
- Continuously check the wear of the working bodies of the machine, possibly replace these worn working bodies with new ones.
- Adjustment, cleaning, and lubrication of the machine may only be performed with the machine at rest (i.e. the machine is standing and not working).
- Plants and other residues potentially caught on the shaft by the bearing have to be removed, otherwise the bearing will get damaged.
- When greasing the bearings, observe caution to prevent their damage.
- When working on a lifted machine, use suitable support equipment supported at marked points or at points suitable for that.
- During adjustment, cleaning, maintenance, and repair of the machine, you must secure those parts of the machine that could endanger the operator by falling or another movement.
- For catching the machine during handling using lifting equipment, use only the places marked with self-adhesive labels with the chain sign. —  —
- Upon a failure or damage of the machine, immediately turn off the tractor's engine and secure against restarting, secure the machine against movement — only then you can remove the failure.
- During repairs of the machine, use exclusively the genuine spare parts, suitable tools and protective equipment.
- Keep the machine clean.
- Lower the machine with caution so that the chisels and shares are not damaged by sharp lowering to the ground.




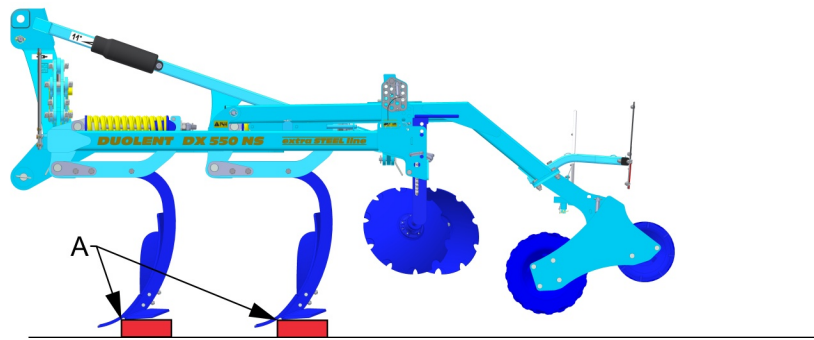
Do not clean hydraulic cylinders and bearings with a high-pressure cleaner or direct water stream. The seals and bearings are not watertight at high pressure.

12 MACHINE STORAGE


Long-term machine shutdown:

- Store the machine under a roof if possible.
- Store the machine on a flat and solid surface with sufficient load capacity.
- Clean the machine before storing and conserve so that it is not damaged in any way during storage. Pay special attention to all marked lubrication points and properly lubricate them according to the lubrication plan.
- Lay by the machine in the transport position rested on the rear roller and frames. Place a suitable support under the frames (e.g. crossbar) so that the tips of the chisels are above the ground. If you do not have a suitable support, dismantle the chisels.

 **If you lay by the machine on the chisels, they might get damaged by the weight of the machine. The damage might also incur when you lay by the machine on an uneven surface for a short time when the weight of the machine transfers only to some chisels.**



A - Sole piece

 **Secure the machine against access of unauthorised persons.**

13 MACHINE LUBRICATION SCHEDULE

- The machine is completely maintenance free when it comes to lubrication. Therefore, it is not necessary to lubricate the machine.

14 ENVIROMENTAL PROTECTION

- Handle oils and greases according to valid waste laws and regulations.

15 MACHINE DISPOSAL AFTER SERVICE LIFE EXPIRY

- The operator must secure during machine disposal that steel parts and parts, in which hydraulic oil or lubricating grease moves are differentiated.
- Steel parts must be cut by the operator while observing safety regulations and handed over to the secondary raw material collection point. He must proceed with other parts according to valid laws about waste.

16 SERVICING AND WARRANTY CONDITIONS

16.1 Servicing

Servicing is secured by the dealer after consulting with the manufacturer, possibly directly by the manufacturer. Spare parts then using the sales network by individual sellers in the entire country. Use only the spare parts according to the spare parts catalogue officially issued by the manufacturer.

16.2 Warranty

1. The manufacturer provides a warranty of 24 months for these machine parts: main frame, axle, and machine tow bar. For other parts of the machine, the manufacturer provides a warranty of 12 months. The warranty is provided from the date of sale of the new machine to the end user (consumer).
2. The warranty applies to hidden defects that will show in the warranty period with proper use of the machine and while fulfilling the conditions stated in the operating manual.
3. The warranty does not apply to wearable spare parts, i. e. regular mechanical wear and tear of replaceable parts of the working sections (shares, edges, etc.).
4. The warranty does not apply to indirect consequences of possible damage, such as service life decrease etc.
5. The warranty is bound to the machine and is not void upon an owner change.
6. The warranty is limited to the disassembly and assembly, possibly replacement or repair of the defective part. The decision, whether to replace or repair the defective part, is up to the contractual workshop of Farmet.
7. During the warranty period, only the authorised servicing technician of the manufacturer may perform repairs or other interventions into the machine. In the opposite case, the warranty will not be acknowledged. This provision does not apply to the replacement of wearable spare parts (see point 3).
8. The warranty is conditioned by using the genuine spare parts of the manufacturer.

2009/006/03

(CZ) ES PROHLÁŠENÍ O SHODĚ
 (GB) CE CERTIFICATE OF CONFORMITY
 (D) EG-KONFORMITÄTSERKLÄRUNG
 (F) DÉCLARATION CE DE CONFORMITÉ
 (RU) СЕРТИФИКАТ СООТВЕТСТВИЯ ЕС
 (PL) DEKLARACJA ZGODNOŚCI WE

1. (CZ) My (GB) We (D) Wir (F) Nous (RU) Мы (PL) My: **Farmet a.s.**
 Jiřinková 276
 552 03 Česká Skalice
 Czech Republic
 DIČ: CZ46504931
 Tel/Fax: 00420 491 450136

(CZ) Vydáváme na vlastní zodpovědnost toto prohlášení. (GB) Hereby issue, on our responsibility, this Certificate. (D) Geben in alleiniger Verantwortung folgende Erklärung ab. (F) Publiions sous notre propre responsabilité la déclaration suivante. (RU) Под свою ответственность выдаем настоящий сертификат. (PL) Wydajemy na własną odpowiedzialność niniejszą Deklarację Zgodności.

2. (CZ) Strojní zařízení: - název : **Dlátový kypřič**
 (GB) Machine: - name : **Chisel cultivator**
 (D) Fabrikat: - Bezeichnung : **Meißelgrubber**
 (F) Machinerie: - dénomination : **Cultivateur à siceaux**
 (RU) Сельскохозяйственная машина: - наименование : **Чизельный культиватор**
 (PL) Urządzenie maszynowe: - nazwa : **Spulchniarka dłutowa**
- typ, type : **DUOLENT**
 - model, modèle : **DX 380 NS**
 - (CZ) výrobní číslo :
 - (GB) serial number :
 - (D) Fabriknummer :
 - (F) n° de production :
 - (RU) заводской номер :
 - (PL) numer produkcyjny:

3. (CZ) Příslušná nařízení vlády: č.176/2008 Sb. (směrnice 2006/42/ES). (GB) Applicable Governmental Decrees and Orders: No.176/2008 Sb. (Directive 2006/42/ES). (D) Einschlägige Regierungsverordnungen (NV): Nr.176/2008 Slg. (Richtlinie 2006/42/ES). (F) Décrets respectifs du gouvernement: n°.176/2008 du Code (directive 2006/42/CE). (RU) Соответствующие постановления правительства: № 176/2008 Сб. (инструкция 2006/42/ES). (PL) Odpowiednie rozporządzenia rządowe: nr 176/2008 Dz.U. (Dyrektywa 2006/42/WE).

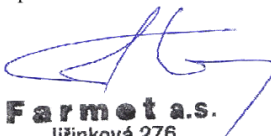
4. (CZ) Normy s nimiž byla posouzena shoda: (GB) Standards used for consideration of conformity: (D) Das Produkt wurde gefertigt in Übereinstimmung mit folgenden Normen: (F) Normes avec lesquelles la conformité a été évaluée: (RU) Нормы, на основании которых производилась сертификация: (PL) Normy, według których została przeprowadzona ocena: ČSN EN ISO 12100, ČSN EN ISO 4254-1.

(CZ) Schválil (GB) Approve by dne: 01.06.2012
 (D) Bewilligen (F) Approuvé

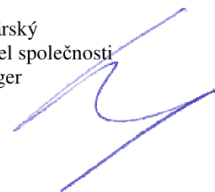
(RU) Утвердил (PL) Uchwalił

V České Skalici dne: 01.06.2012

p. Gavlas Dušan
 technický ředitel
 Technical director


Farmet a.s.
 Jiřinková 276
 552 03 Česká Skalice
 DIČ CZ46504931
 3R

Ing. Karel Žďárský
 generální ředitel společnosti
 General Manager



2009/007/03

ČES PROHLÁŠENÍ O SHODĚ
CE CERTIFICATE OF CONFORMITY
DEG-KONFORMITÄTSERKLÄRUNG
DÉCLARATION CE DE CONFORMITÉ
СЕРТИФИКАТ СООТВЕТСТВИЯ ЕС
DEKLARACJA ZGODNOŚCI WE

1. **Č**Мы **GB**We **D**Wir **F**Nous **RU**Мы **PL**My: **Farmet a.s.**
Jiřinková 276
552 03 Česká Skalice
Czech Republic
DIČ: CZ46504931
Tel/Fax: 00420 491 450136

ČVydáváme na vlastní zodpovědnost toto prohlášení. **GB**Hereby issue, on our responsibility, this Certificate. **D**Geben in alleiniger Verantwortung folgende Erklärung ab. **F**Publions sous notre propre responsabilité la déclaration suivante. **RU**Под свою ответственность выдаем настоящий сертификат. **PL**Wydawemy na własną odpowiedzialność niniejszą Deklarację Zgodności.

2. **Č**Strojní zařízení: - název : **Dlátový kypřič**
GBMachine: - name : **Chisel cultivator**
DFabrikat: - Bezeichnung : **Meißelgrubber**
FMachinerie: - dénomination : **Cultivateur à siceaux**
RUСельскохозяйственная машина: - наименование : **Чизельный культиватор**
PLUrządzenie maszynowe: - nazwa : **Spulchniarka dłutowa**
- typ, type : **DUOLENT**
- model, modèle : **DX 460 NS**
- **Č**výrobní číslo :
- **GB**serial number
- **D**Fabriknummer
- **F**n° de production
- **RU**заводской номер
- **PL**numer produkcyjny:

3. **Č**Příslušná nařízení vlády: č.176/2008 Sb. (směrnice 2006/42/ES). **GB**Applicable Governmental Decrees and Orders: No.176/2008 Sb. (Directive 2006/42/ES). **D**Einschlägige Regierungsverordnungen (NV): Nr.176/2008 Slg. (Richtlinie 2006/42/ES). **F**Décrets respectifs du gouvernement: n°.176/2008 du Code (directive 2006/42/CE). **RU**Соответствующие постановления правительства: № 176/2008 Сб. (инструкция 2006/42/ES). **PL**Odpowiednie rozporządzenia rządowe: nr 176/2008 Dz.U. (Dyrektywa 2006/42/WE).

4. **Č**Normy s nimiž byla posouzena shoda: **GB**Standards used for consideration of conformity: **D**Das Produkt wurde gefertigt in Übereinstimmung mit folgenden Normen: **F**Normes avec lesquelles la conformité a été évaluée: **RU**Нормы, на основании которых производилась сертификация: **PL**Normy, według których została przeprowadzona ocena: ČSN EN ISO 12100, ČSN EN ISO 4254-1.

ČSchválil **GB**Approve by dne: 01.06.2012
DBewilligen **F**Approuvé


RUУтвердил **PL**Uchwalil

V České Skalici dne: 01.06.2012

p. Gavlas Dušan
technický ředitel

Technical director

Ing. Karel Žďárský
generální ředitel společnosti
General Manager


Farmet a.s.
Jiřinková 276
552 03 Česká Skalice
DIČ CZ46504931
38

2009/008/03

ⒸZ **ES PROHLÁŠENÍ O SHODĚ**
ⒸGB **CE CERTIFICATE OF CONFORMITY**
ⒸD **EG-KONFORMITÄTSERKLÄRUNG**
ⒸF **DÉCLARATION CE DE CONFORMITÉ**
ⒸRU **СЕРТИФИКАТ СООТВЕТВИЯ ЕС**
ⒸPL **DEKLARACJA ZGODNOŚCI WE**

1. ⒸZ My ⒸGB We ⒸD Wir ⒸF Nous ⒸRU Мы ⒸPL My: **Farmet a.s.**
Jiřinková 276
552 03 Česká Skalice
Czech Republic
DIČ: CZ46504931
Tel/Fax: 00420 491 450136

ⒸZ Vydáváme na vlastní zodpovědnost toto prohlášení. ⒸGB Hereby issue, on our responsibility, this Certificate. ⒸD Geben in alleiniger Verantwortung folgende Erklärung ab. ⒸF Publiions sous notre propre responsabilité la déclaration suivante. ⒸRU Под свою ответственность выдаем настоящий сертификат. ⒸPL Wydajemy na własną odpowiedzialność niniejszą Deklarację Zgodności.

2. ⒸZ Strojní zařízení: - název : **Dlátový kypřič**
ⒸGB Machine: - name : **Chisel cultivator**
ⒸD Fabrikat: - Bezeichnung : **Meißelgrubber**
ⒸF Machinerie: - dénomination : **Cultivateur à siceaux**
ⒸRU Сельскохозяйственная машина: - наименование : **Чизельный культиватор**
ⒸPL Urządzenie maszynowe: - nazwa : **Spulchniarka dłutowa**
- typ, type : **DUOLENT**
- model, modèle : **DX 550 NS**
- ⒸZ výrobní číslo :
- ⒸGB serial number :
- ⒸD Fabriknummer :
- ⒸF n° de production :
- ⒸRU заводской номер :
- ⒸPL numer produkcyjny:

3. ⒸZ Příslušná nařízení vlády: č.176/2008 Sb. (směrnice 2006/42/ES). ⒸGB Applicable Governmental Decrees and Orders: No.176/2008 Sb. (Directive 2006/42/ES). ⒸD Einschlägige Regierungsverordnungen (NV): Nr.176/2008 Slg. (Richtlinie 2006/42/ES). ⒸF Décrets respectifs du gouvernement: n° 176/2008 du Code (directive 2006/42/CE). ⒸRU Соответствующие постановления правительства: № 176/2008 Сб. (инструкция 2006/42/ES). ⒸPL Odpowiednie rozporządzenia rządowe: nr 176/2008 Dz.U. (Dyrektywa 2006/42/WE).

4. ⒸZ Normy s nimiž byla posouzena shoda: ⒸGB Standards used for consideration of conformity: ⒸD Das Produkt wurde gefertigt in Übereinstimmung mit folgenden Normen: ⒸF Normes avec lesquelles la conformité a été évaluée: ⒸRU Нормы, на основании которых производилась сертификация: ⒸPL Normy, według których została przeprowadzona ocena: ČSN EN ISO 12100, ČSN EN ISO 4254-1.

ⒸZ Schválil ⒸGB Approve by dne: 01.06.2012
ⒸD Bewilligen ⒸF Approuvé

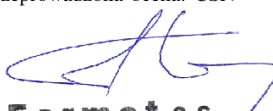
ⒸRU Утвердил ⒸPL Uchwalil

V České Skalici dne: 01.06.2012

p. Gavlas Dušan
technický ředitel

Technical director

Ing. Karel Žďárský
generální ředitel společnosti
General Manager


Farmet a.s.
Jiřinková 276
552 03 Česká Skalice
DIČ CZ46504931
38