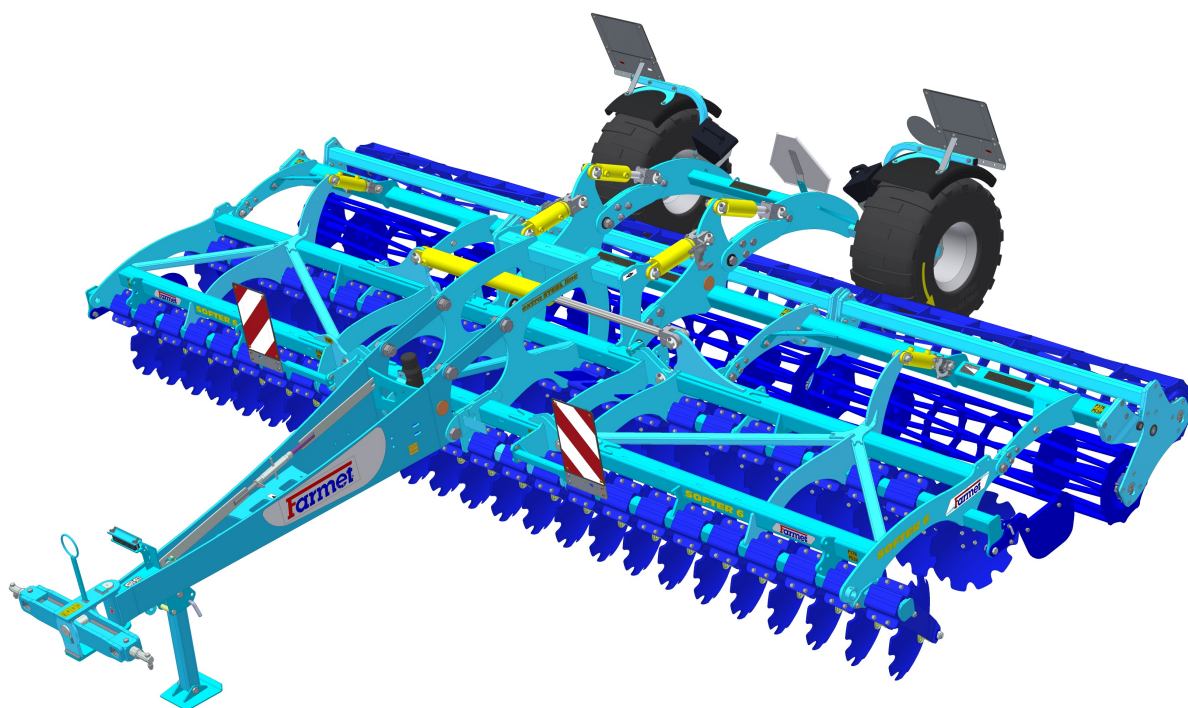


OPERATING MANUAL

SOFTER

4 P | 4,5 PS | 5 PS | 6 PS



Edition: 9

Effective from: 01.1.2019

FARMET a.s.
Jiřinková 276
552 03 Česká Skalice, CZ

phone: +420 491 450 111
fax: +420 491 450 136
GSM: +420 774 715 738

IČ: 46504931
DIČ: CZ46504931

www.farmet.cz
e-mail: farmet@farmet.cz

PREFACE

Dear customer,

The agricultural machine you have purchased is a high-quality product of Farmet a.s. Česká Skalice.

You can fully utilise the advantages of your machine after thoroughly studying the operating manual.

The serial number of the machine is punched on the production label and written in the operating manual (Your Machine Characteristics). This machine serial number must be stated whenever ordering spare parts for possible repairs. The production label is located on the frame .

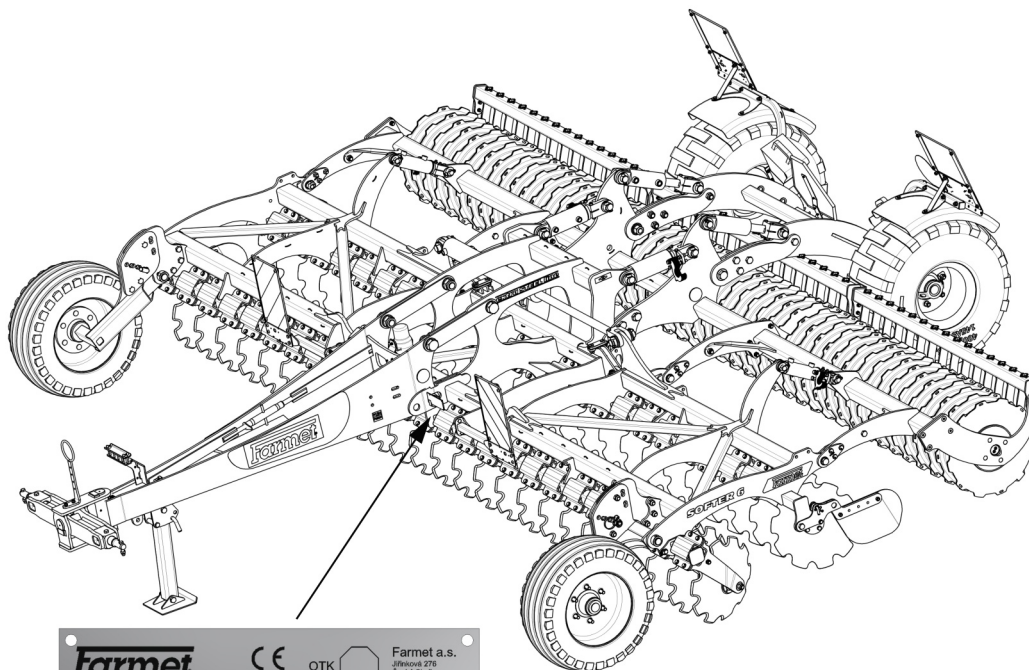
Use only spare parts for these machines according to the **Spare parts catalogue** officially issued by the manufacturer, Farmet a.s. Česka Skalice.

Possibilities of use of the machine

The **SOFTER** disc plough-harrow is intended for ploughing all types of soil up to the depth of 120 mm (4.7 in).

Your Machine Characteristics :

MACHINE TYPE :
 MACHINE SERIAL NUMBER :
 SPECIAL DESIGN OR ACCESSORIES :



Farmet	CE	OTK	Farmet a.s. Jihovosá 273 Česká Skalice CZECH REPUBLIC
TYP / VARIANTA	SOFTER / SOFTER 6 PS		
ČÍSLO SCHVÁLENÍ	7753-04		
ROK VÝROBY / VÝROBNÍ ČÍSLO	20YY / ZZZZ		
MAX. PŘÍPUSTNÁ HMOTNOST	4020	kg	
MAX. PŘÍPUSTNÁ HMOTNOST NA NÁPRAVĚ	2620	kg	

IMPORTANT

READ CAREFULLY BEFORE USE

KEEP FOR FUTURE REFERENCE

Contents

PREFACE	3
1 MACHINE LIMIT PARAMETERS	7
1.1 Technical parameters	8
1.2 Safety statement	8
2 GENERAL INSTRUCTIONS FOR USE	9
3 MACHINE TRANSPORT USING TRANSPORT MEANS	11
4 MACHINE HANDLING USING LIFTING EQUIPMENT	12
5 WORK SAFETY LABELS	13
6 DESCRIPTION	16
6.1 Working parts of the machine	16
6.2 Hydraulics	17
7 MACHINE ASSEMBLY AT THE CUSTOMER	19
8 COMMISSIONING	20
8.1 Agregation to a tractor	21
8.2 Hydraulics connection	22
8.3 Folding and unfolding of the machine	23
8.3.1 Machine Unfolding Procedure	24
8.3.2 Machine Folding Procedure	25
9 MACHINE TRANSPORT ON ROADS	26
10 MACHINE ADJUSTMENT	27
10.1 Adjusting the working depth of the machine	28
10.2 Drawbar for the bottom fixed hitch	29
10.3 Adjusting the longitudinal plane of the machine	30
10.4 Setting side deflectors and edge discs	32
11 MACHINE MAINTENANCE AND REPAIRS	33
12 MACHINE STORAGE	34
13 MACHINE LUBRICATION SCHEDULE	35
14 ENVIROMENTAL PROTECTION	36
15 MACHINE DISPOSAL AFTER SERVICE LIFE EXPIRY	37
16 SERVICING AND WARRANTY CONDITIONS	38
16.1 Servicing	38
16.2 Warranty	38

1 MACHINE LIMIT PARAMETERS

- The machine is designed for soil ploughing up to a depth of 12 cm (4.7 in) when agricultural soil cultivation. Another type of use exceeding the determined purpose is forbidden.
- The machine is only operated by one person – the tractor driver.
- Machine operator must not use the machine in a different way, especially:
 - transport of persons and animals on the machine structure,
 - transport of burdens on the machine structure,
 - aggregation of the machine with another towing equipment than stated in Chapter 8.1.

1.1 Technical parameters

PARAMETERS		SOFTER 4 P (SF4P)	SOFTER 4,5 PS (SF4,5PS)	SOFTER 5 PS (SF5PS)	SOFTER 6 PS (SF6PS)
Working width		4,1 m (13,45 ft)	4,6 m (15,09 ft)	5,1 m (16,73 ft)	6 m (19,69 ft)
Transport width		4,3 m (14,21 ft)	3 m (9,84 ft)		
Transport height		1,6 m (5,25 ft)	2,54 m (8,33 ft)	2,78 m (9,12 ft)	3,27 m (10,73 ft)
Machine total length		6 m (19,68 ft)			
Working depth		3,5–12 cm (1,38-4,72 in)			
Number of discs ø510mm (ø20in) / ø560mm (ø22in)	front	17	19	21	25
	rear	17	19	21	25
Working performance		3,6–6,8 ha/h (8,9–16,8 ac/h)	4,5–6,8 ha/h (11,12–16,8 ac/h)	5–7,5 ha/h (12,36–18,53 ac/h)	6–9 ha/h (14,83–22,24 ac/h)
Towing means		110 – 160 kW (150 – 215 HP)*	120 – 180 kW (160 – 240 HP)*	130 – 190 kW (175-255 HP)*	150 – 225 kW (200-300 HP)*
Working speed		10 – 15 kph (6 – 9,5 mph)			
Maximum transport speed		20 kph (12,5 mph)			
Maximum slope grade		6 (°)			
Tyre dimensions - transport Tyre pressure		400/60 – 15,5 360 kPa (52 Psi)			
Machine weight		3 600 kg (7 936 lb)	4 000 kg (8 818 lb)	4 350 kg (9 590 lb)	4 990 kg (11 001 lb)

*Recommended towing means, the real towing force may significantly vary according to the processing depth, soil conditions, land slope, working body wear and adjustment.

1.2 Safety statement



This warning sign warns about an immediate dangerous situation ending with death or severe injury.






This warning sign warns about a dangerous situation ending with death or severe injury.



This warning sign warns about a situation that may end with a smaller or slight injury. It also warns about dangerous actions related to the activity that could lead to an injury.

2 GENERAL INSTRUCTIONS FOR USE

- The machine is made in accordance with the latest equipment state and approved safety regulations. However, dangers of user or third person injury or machine damage or creation of other material damage may arise during use.
- Use the machine only in a technically sound condition, in accordance with its purpose, aware of possible dangers, and while adhering to the safety instructions of this operating manual !!!
The Manufacturer is not liable for damages caused by the use of the machine that is in contradiction with the limit parameters of the machine and with the instructions for the use of the machine (Chapter 2 and 8). The User bears the risk.
Immediately remove especially the failures that may negatively affect safety!
- Machine operation may be performed by a person authorised by the operator under these conditions:
 - It must own a valid driver's licence of the corresponding category,
 - It must be demonstrably familiarised with the safety regulations for work with the machine and must practically master the machine operation,
 - The machine may not be operated by juveniles,
 - It must know the meaning of the safety signs located on the machine. Their respecting is important for safe and reliable machine operation.
- Maintenance and servicing repairs on the machine may only be performed by a person :
 - Authorised by the operator,
 - Educated in the machinery field with knowledge of repairs of similar machines,
 - Demonstrably familiarised with safety regulations for work with the machine,
 - During a repair of a machine connected to a tractor, it must own a driver's licence of the corresponding category.
- Machine operator must secure the safety of other persons when working with the machine or transporting the machine.
- During machine work in the field or during transport, the operator must control the machine from the tractor's cabin.
-  The operator may enter the machine structure only with the machine at rest and blocked against movement, namely only for these reasons:
 - Adjustment of the machine working parts,
 - Repair and maintenance of the machine,
 - Release and securing of spherical valves of the axle,
 - Securing of spherical valves of the axle before folding the side frames,
 - Adjustment of the working parts of the machine after unfolding the side frames.
-  When climbing on the machine, do not step on the axle tyres, rollers, discs or other revolving parts. Those may turn and you can cause very serious injuries by the subsequent fall.
-  Any changes or modifications of machine may be performed only with written consent of the manufacturer.
For possible damage arisen due to ignoring this instruction, the producer bears no responsibility.
The machine must be maintained equipped with prescribed accessories and equipment including safety marking.
All warning and safety signs must be legible and in their places. In case of damage or loss, these signs must be immediately renewed.

- The operator must have the Operating Manual with the work safety requirements available at any time when working with the machine.



- The operator must not consume alcohol, medicines, narcotic and hallucinogenic substances that decrease his attention and coordination capabilities while using the machine.

If the operator must use medicines prescribed by a physician or uses freely sold medicines, he must be informed by a physician, whether he is capable of responsible and safe operation of the machine under these circumstances.


Protective equipment :

For operation and maintenance, you need :



- close-fitting clothes
- protective gloves and goggles against dust and sharp parts of the machine



3 MACHINE TRANSPORT USING TRANSPORT MEANS

- The transport means designed for machine transport must have the load capacity minimally identical with the weight of the transported machine. The total weight of the machine is stated on the production label.
- The dimensions of the transported machine including the transport means must comply with the valid regulations for road traffic (decrees, laws).
-  • The transported machine must be always fastened to the transport means so that its spontaneous loosening could not happen.
- The carrier is responsible for damage caused by the loosening of incorrectly or insufficiently fastened machine to the transport means.

4 MACHINE HANDLING USING LIFTING EQUIPMENT

- The lifting equipment and tying means designed for handling of the machine must have their load capacity at least identical with the weight of the handled machine.
-  • Machine fastening for handling may only be performed in places designed for that and marked with self-adhesive labels showing the "chain" symbol. 
- After fastening (suspending) at designated points, it is forbidden to move in the space of possible reach of the handled machine.

5 WORK SAFETY LABELS

The warning safety labels protect the operating staff

The following applies in general :

- Strictly observe the warning safety labels.
- All safety instructions also apply to other users.
- If the “SAFETY LABEL” located on the machine gets damaged or destroyed, THE OPERATING STAFF MUST REPLACE THE LABEL WITH A NEW ONE !!!
- The position, appearance and the precise meaning of the work safety labels on the machine are defined in the following tables and the figure.

WARNING SAFETY LABEL	LABEL TEXT	MACHINE POSITION
	Before handling the machine, carefully read the operating manual. Observe the instructions and safety regulations for machine operation during use.	P 1 H
	When connecting or disconnecting, do not step between the tractor and the machine, also do not enter this space, if the tractor and the machine are not at rest and the engine is not turned off.	P 2 H
	Stay out of reach of the drawn-up machine. (SF4,5–6NS, SF-2,5–3,5N)	P 4 H
	Stay outside the reach of the tractor - agricultural machine set, if the tractor engine is in operation.	P 6 H
	Secure the side frames with the connecting rod prior to transport (4,5–6NS, SF4,5–11PS). Before commencing the machine transport, secure the axle with spherical valves against unexpected drop (4,5–6PS, 8–11PS). The frame of the twin roller must be secured with the stopper for transport. (SF 2,5N—SF3,5N).	P 13 H
	When folding the side frames, do not reach into the space of the machine folding joints. There is a danger of cutting when setting the depth of the machine.	P 20 H

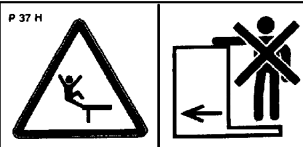
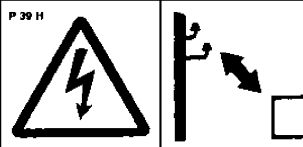
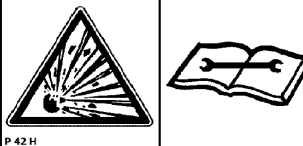

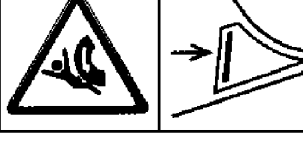
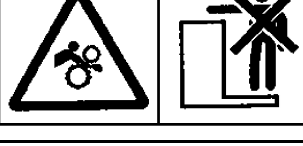

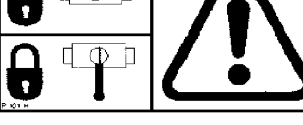
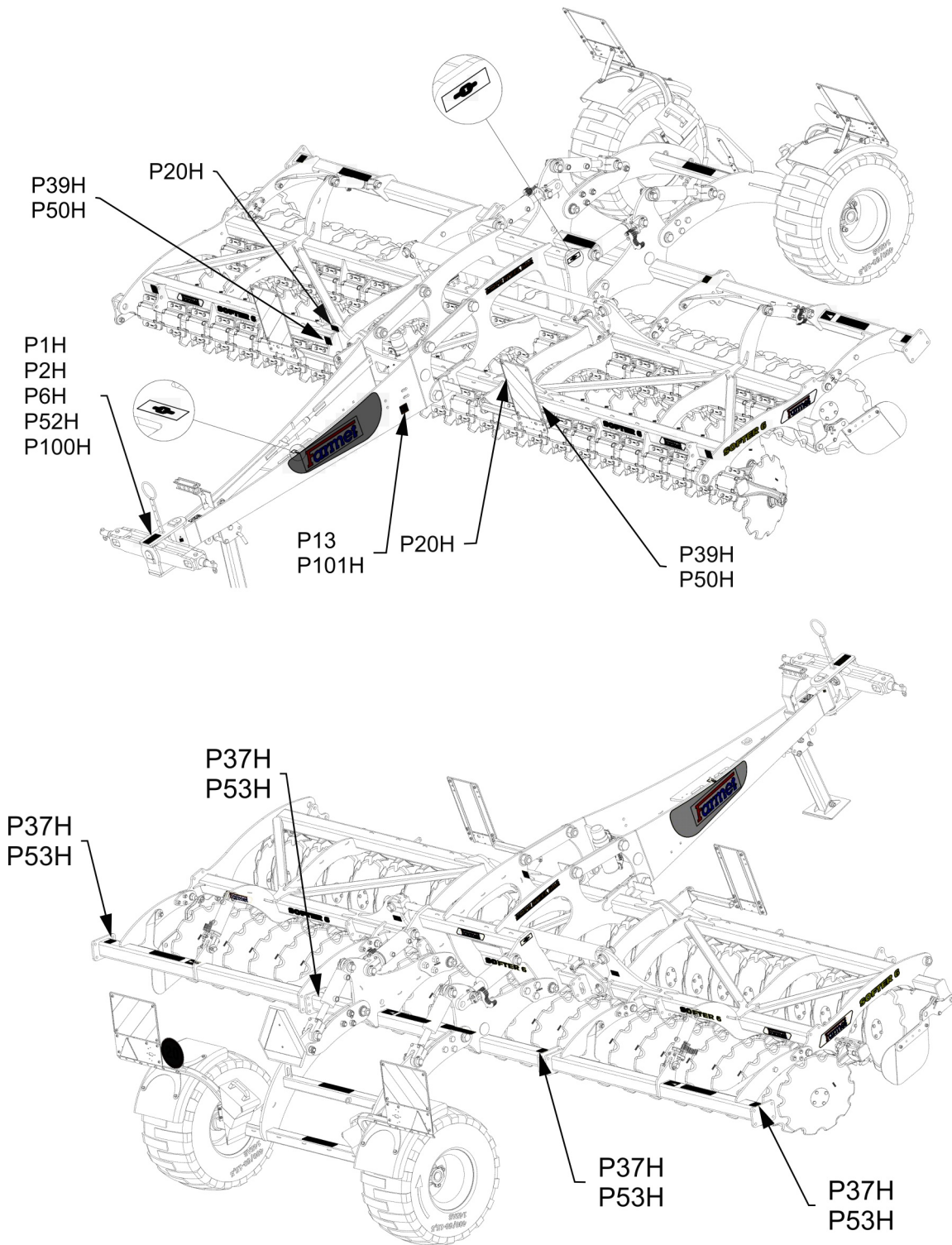
 <p>P 37 H</p>	<p>Travelling and transport on the machine structure is strictly forbidden.</p>	<p>P 37 H</p>
 <p>P 39 H</p>	<p>When working and transporting the machine, maintain safe distance from the electric appliances</p>	<p>P 39 H</p>
 <p>P 42 H</p>	<p>The pressure vessel is under gas and oil pressure. Execute disassembly and repairs only according to the instructions in the manual. (SF-8-11PS)</p>	<p>P 42 H</p>
 <p>P 50 H</p>	<p>When folding and unfolding the side frames, stay outside their reach.</p>	<p>P 50 H</p>
 <p>P 52 H</p>	<p>Secure the machine against unwanted movement by positioning on its working bodies.</p>	<p>P 52 H</p>
 <p>P 53 H</p>	<p>Stay outside the reach of the tractor - agricultural machine set, if the tractor engine is in operation.</p>	<p>P 53 H</p>
 <p>P 100 H</p>	<p>Before commencing the machine transport, secure the axle with spherical valves against unexpected drop.</p>	<p>P 100 H</p>
 <p>P 101 H</p>	<p>The shown positions of the lever and the function of the hydraulic spherical valve located on the piston rod. (SF4P-11PS)</p>	<p>P 101 H</p>

Fig. 1 - Location of safety labels on the machine



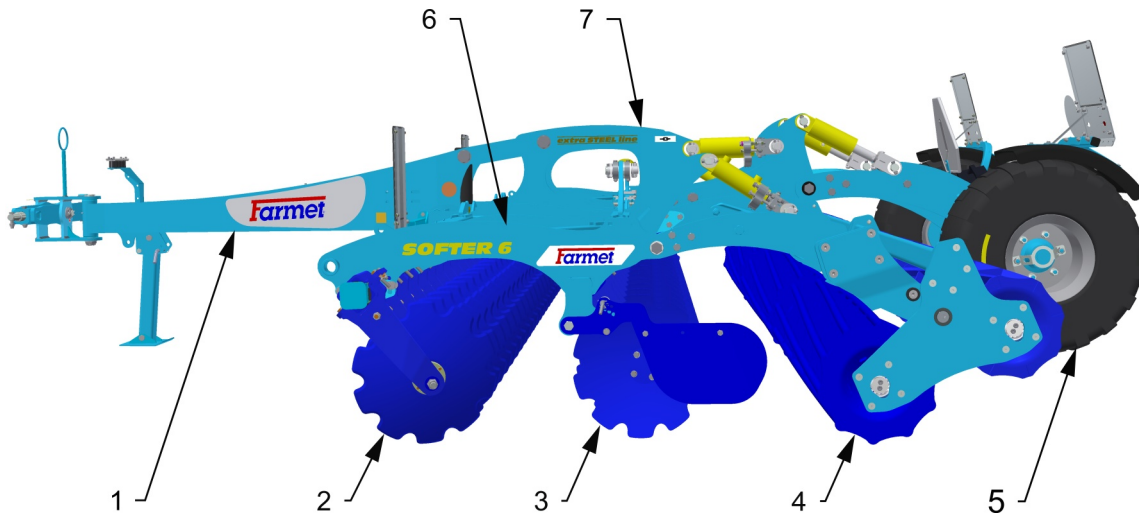
6 DESCRIPTION

The **SOFTER 4,5 PS a 6 PS** machine is constructed as semi-carried folded.

The **SOFTER 4 P** machine is constructed as semi-carried unfolded.

The basic version consists of a drawbar equipped with a three-point suspension rod, or a loop for the fixed suspension pin, a central frame with the transportation axle and two side frames (except SOFTER 4 P). There are working discs in two rows on the central and side frames. There are rollers in the rear that compact the loosened soil.

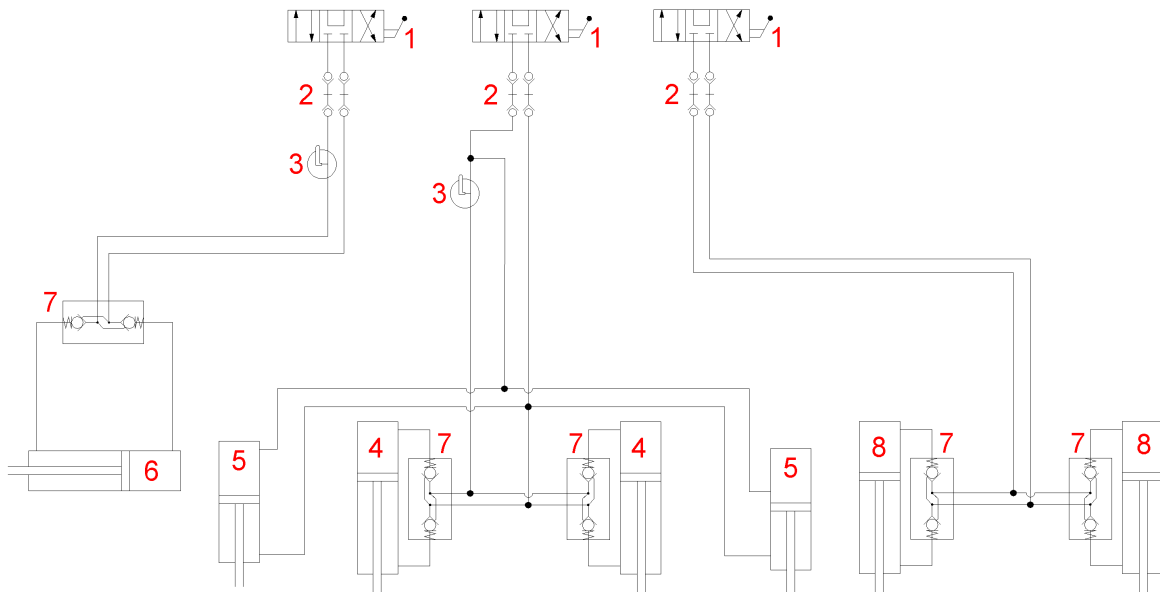
6.1 Working parts of the machine



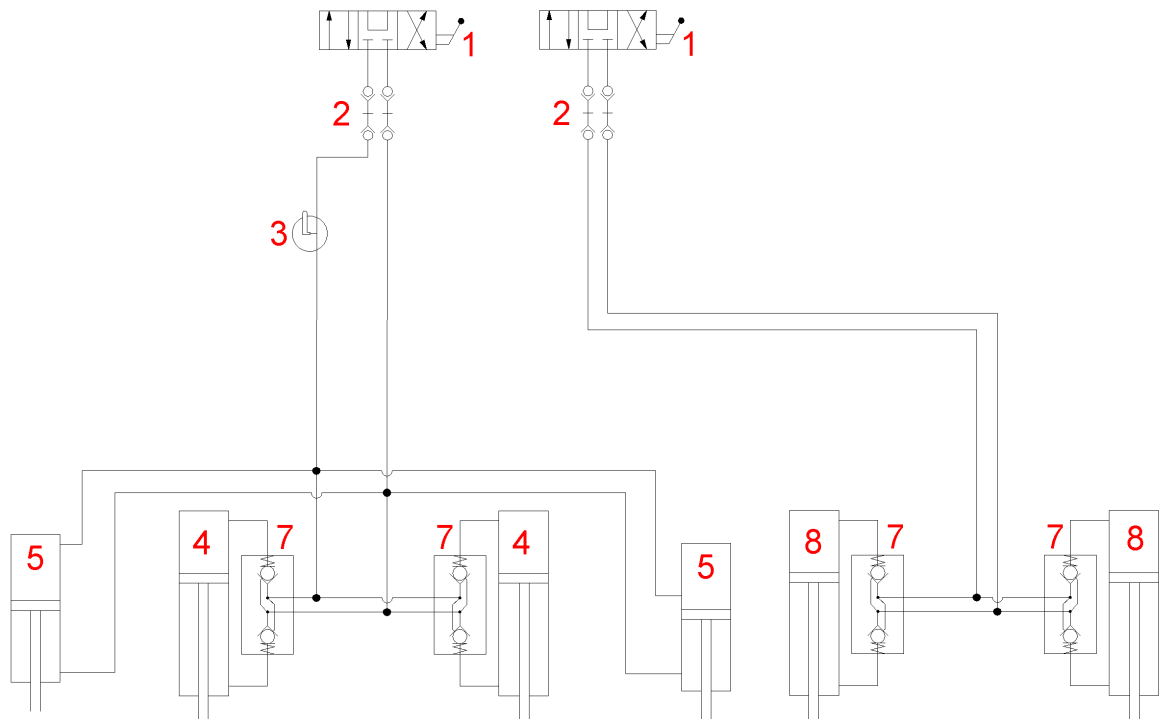
- 1 – Tow bar with a folding leg
- 2 – Front disc row
- 3 – Rear disc row
- 4 – Roller
- 5 – Transportation axle
- 6 – Side frames (except SOFTER 4 P)
- 7 – Central frame with transportation axle

6.2 Hydraulics

Hydraulic diagram of the machine with a drawbar in the arms of the three-point suspension
SOFTER 4,5-6 PS

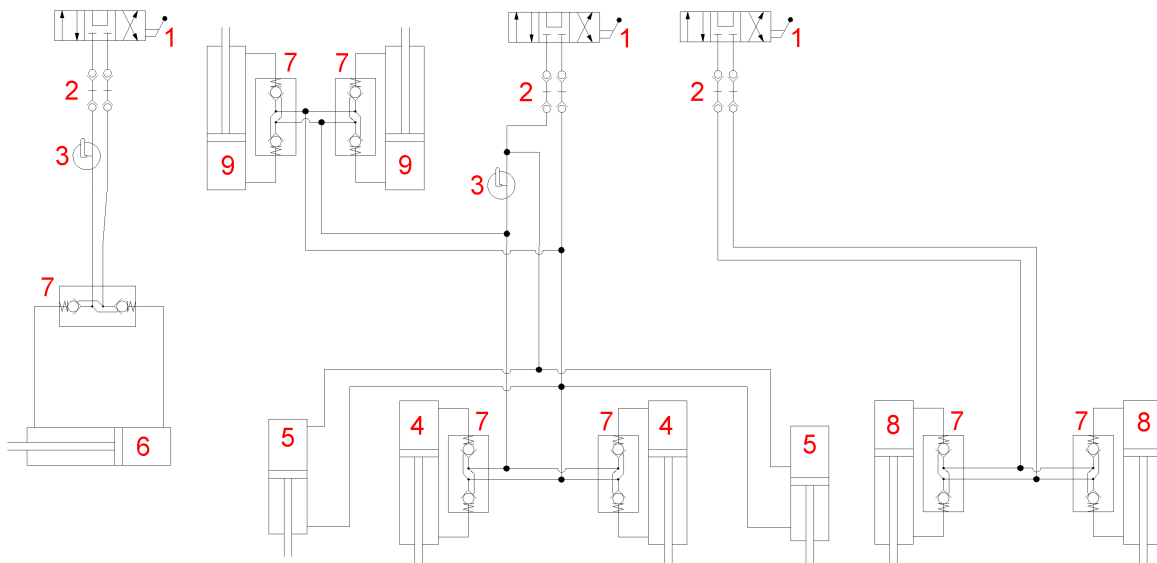


SOFTER 4 P

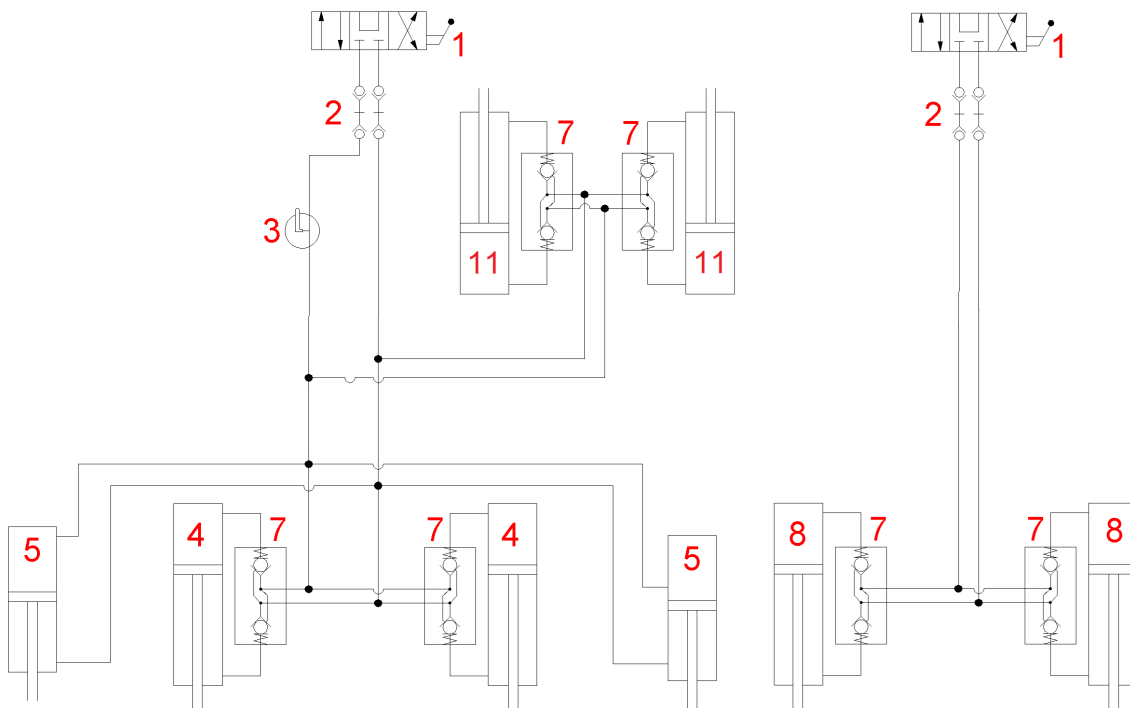


- 1 – Control distributor (tractor)
- 2 – Hydraulic coupling
- 3 – Closing cock
- 4 – Hydraulic cylinder (central roller)
- 5 – Hydraulic cylinder (side rollers)
- 6 – Hydraulic cylinder (folding side frames)
- 7 – Hydraulic closing valve
- 8 – Hydraulic cylinder (axle)

Hydraulic diagram of the machine with a drawbar in the bottom fixed suspension
SOFTER 4,5-6 PS




SOFTER 4 P



- 1 – Control distributor (tractor)
- 2 – Hydraulic coupling
- 3 – Closing cock
- 4 – Hydraulic cylinder (central roller)
- 5 – Hydraulic cylinder (side rollers)
- 6 – Hydraulic cylinder (folding side frames)
- 7 – Hydraulic closing valve
- 8 – Hydraulic cylinder (axle)
- 9 – Hydraulic cylinder (drawbar)

⚠ Parts of the hydraulic system of the machine, which are under pressure, are forbidden to disassemble. Hydraulic oil that penetrates the skin under high pressure causes severe injuries. In case of injury, seek a physician immediately.

7 MACHINE ASSEMBLY AT THE CUSTOMER

- The operator must perform the assembly according to the instructions of the producer, best in cooperation with the expert servicing technician determined by the producer.
-  • The operator must secure a functional test of all assembled parts after the completion of the machine assembly.
- The operator must secure that the handling of the machine using lifting equipment during its assembly is in accordance with chapter „4“.

8 COMMISSIONING

- Before taking over the machine, test and check, whether damage occurred during transport and whether all parts contained in the bill of delivery were supplied.



- Before commissioning the machine, carefully read this operating manual, especially Chapters 1–5. Before the first use of the machine, familiarise yourselves with its controls and overall function.
- During work with the machine, observe not only the instructions of this operating manual but also generally valid regulations of work safety, health protection, fire and transport safety, and environmental protection.
- The operator must check the machine before every use (commissioning) from the standpoint of completeness, work safety, work hygiene, fire safety, transport safety, and environmental protection. A machine showing signs of damage must not be commissioned.
- Aggregation of the machine with the tractor is to be performed on a flat and hardened surface.
- When working on slopes, observe the lowest allowable slope grade of the set **TRACTOR - MACHINE**
- Before starting the tractor motor, check whether no person or animal is in the working space of the set and push the warning sound signal.
- The operator is responsible for the safety and all damage caused by the operation of the tractor and the connected machine.
- The operator is obliged to adhere to the technical and safety regulations of the machine determined by the producer when working.
- The operator is obliged to retract the working bodies of the machine from the ground when turning at the headland.
- The operator is obliged to observe the prescribed working depths and speeds stated in the manual in. cap.1.
- The operator is obliged to lower the machine to the ground and secure the set against movement before leaving the tractor cabin.

DECREASE OF SOIL PRESSURE TO A VALUE LOWER THAN 200KPA (29 PSI)

To decrease the specific pressure on soil (lower than 200kPa / 29 Psi) at the turns on the headland, raise the machine on the pole by using the hydraulic tractor shoulders and rear rollers. Turn around when the machine is unfolded and resting on rollers.

8.1 Agregation to a tractor

- The machine can be connected only to a tractor, whose curb weight is identical or higher than the overall weight of the connected machine.
- The machine operator must observe all generally valid regulations of work safety, health protection, fire safety, and environmental protection.
- The operator may connect the machine exclusively to a tractor that is equipped with a rear three-point suspension (or bottom fixed suspension) and a functional undamaged hydraulic system.
- The table of requirements for the towing means for work with the machine:

Requirement for the tractor engine power for disc plough-harrow	SOFTER 4 P	110-160 kW (150-215 HP)
	SOFTER 4,5 PS	120-150 kW (160-200 HP)
	SOFTER 5 PS	130-190 kW (175-255 HP)
	SOFTER 6 PS	150-225 kW (200-300 HP)
Requirement for tractor aggregation	Spacing of the lower suspension joints (measured at the joint axes)	1010±1,5 mm (39,76 in), (possible to set also 910±1,5 mm /35,83 in)
	Øof the hole of the lower suspension joints for the machine suspension pivots	Ø37,5 mm (Ø1,48 in)
	Height of the bottom fixed suspension	500 – 600 mm (19,7 - 23,6 in)
	Mechanism of the aggregation of the bottom fixed suspension	Pin Ø 50mm (1,96 in)
		Pin Ø 70mm (2,75 in)
Ball K80		
Requirement for the tractor's hydraulic system	Side frame folding circuit *does not apply to SF4P	Circuit pressure 200bar (2900Psi), 2 pcs of quick-coupler sockets ISO 12,5
	Axle lifting circuit	Circuit pressure 200bar (2900Psi), 2 pcs of quick-coupler sockets ISO 12,5
	Rollers lifting circuit	Circuit pressure 200bar (2900Psi), 2 pcs of quick-coupler sockets ISO 12,5

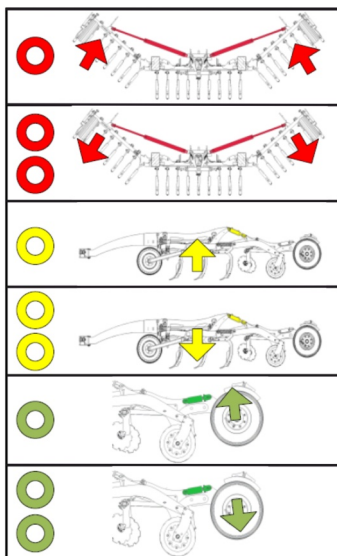
- Connect the machine using the TPS suspension bar to the lower arms of the rear TPS of the tractor, secure the TPS arms using pins against disconnecting, or connect the machine to the fixed bottom suspension and secure it against disconnecting.
- If the drawbar of the machine is equipped with a safety chain, attach it to the tractor.



When connecting, no persons may stay in the space between the tractor and the machine.

8.2 Hydraulics connection

- Connect the hydraulics only when the hydraulic circuits of the machine and the tractor (aggregate) are in a pressure-less condition.
- The hydraulic system is under high pressure. Regularly check for leaks and immediately remove obvious damage of all lines, hoses, and pipe unions.
- When seeking and removing leaks, use only the suitable tools.
- For connecting the hydraulic system of the machine to the tractor, use the plug (on the machine) and the socket (on the tractor) of the quick-couplers of the same type. Connect the machine quick-coupling units to the tractor hydraulic circuits in such manner that the (RED DUST CAPS) side frame folding are on one control circuit, the (YELLOW DUST CAPS) roller machine lifting (or rollers and drawbar) on the second control unit and the (GREEN DUST CAPS) axle machine lifting on the third control circuit.



RED DUST CAPS – control of side frames folding
 1 TAPE – folding side frames into the transport position
 2 TAPES – unfolding side frames into the work position

YELLOW DUST CAPS – control of the rollers
 1 TAPE– drawing out roller piston-rods ⇒ shallowing the machine
 2 TAPES– drawing in roller piston-rods ⇒recess of the machine

GREEN DUST CAPS – control of the axle
 1 TAPE– drawing in axle piston-rods ⇒machine positioning
 2 TAPES– drawing out axle piston-rods ⇒machine lifting



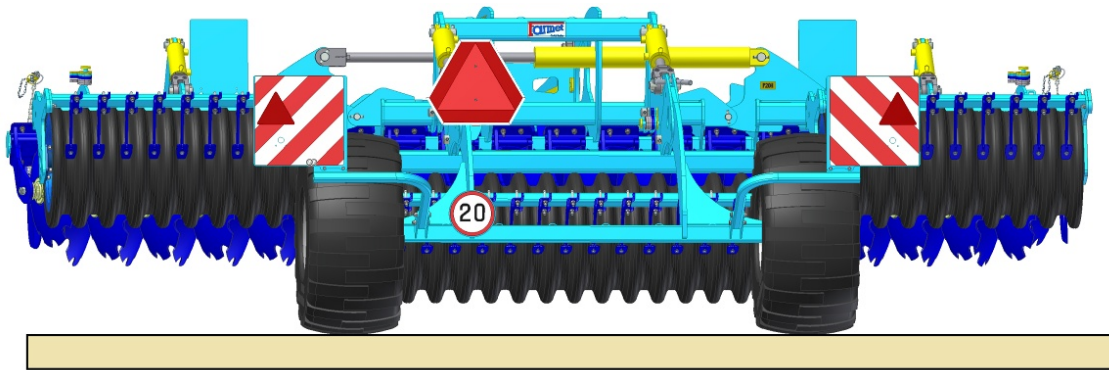
In order to prevent accidental or foreign person (children, passengers) caused movement of the hydraulics, the control switchboards on the tractor must be secured or blocked in the transport position.

8.3 Folding and unfolding of the machine

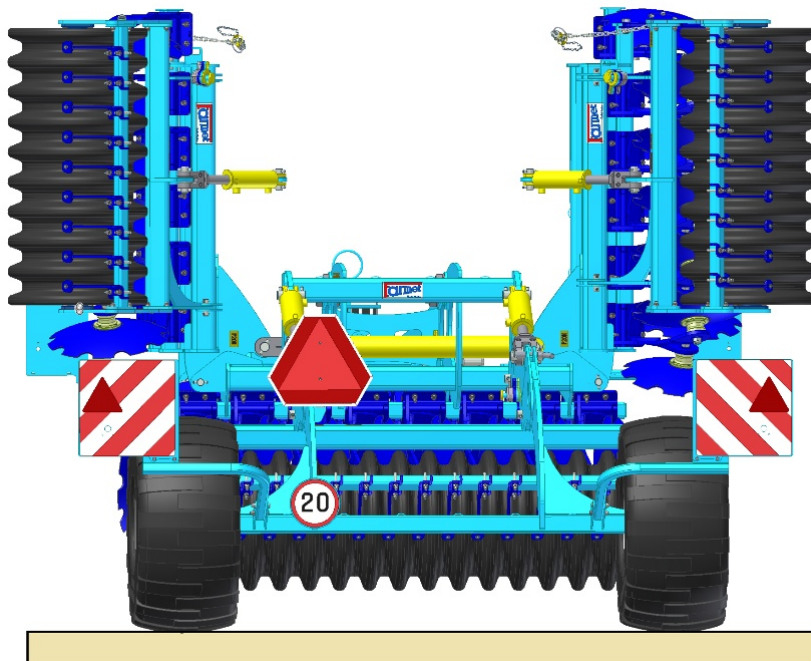
- The hydraulics for the folding and unfolding must be connected to the double-action control unit.
- ⚠ • The operator must ensure that during folding and unfolding of the side frames, no person or animal is within their reach (i.e. at the place of their impact) or vicinity.
- ⚠ • Perform folding and unfolding on flat and solid surfaces or laterally to the slope with the fully open control unit.
- Execute the folding or unfolding only with a machine that is raised on the axle with the side rollers in the recessed position, i.e. their piston-rod should be drawn in.
- Remove stuck soil from folding points, soil may impair function and cause damage to the mechanics.
- During folding or unfolding, check the side frames and have them continuously fold into the end position to the stoppers.

CAUTION!!! The machine must be lifted on the axle, when the machine is folded and unfolded. Otherwise, the machine may get damaged.

Machine prepared for folding



Machine prepared for unfolding



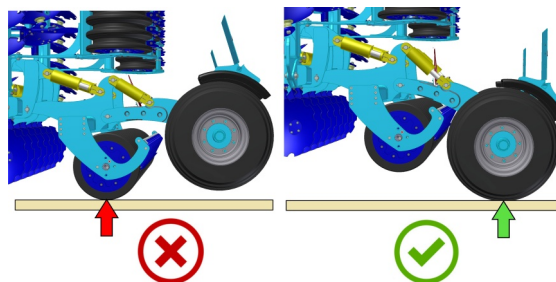
8.3.1 Machine Unfolding Procedure

Machine Unfolding Procedure – Work Position			
Initial condition:		<p>The machine SF4,5–6PS lifted on axle, side frames secured by locking drawbar, piston-rods of the side rollers are inserted and both ball valves on the drawbar are closed.</p> <p>The machine SF4P lifted on axle, piston-rods of the roller are ejected and ball valve on the drawbar is closed.</p>	
1			<p>SF4,5–6PS Disassemble locking drawbar and position it to the draught pole. Open both ball valves located on the drawbar.</p>
			<p>SF4P Open ball valve on the drawbar.</p> <p>SF4,5–6PS Unfold the machine by means of red circuit.</p>
2			<p>SF4,5–6PS Use the yellow circuit to eject the piston-rods of the side rollers to the end position, i. e. maximum ejection.</p>
			<p>SF4P Check that the piston-rods are ejected to the end position, ie. maximum ejection.</p> <p>SF4P, SF4,5–6PS Insert the axle piston rods to limit position, i. e. maximum inserted position, by means of the green circuit. The machine is uniformly laid onto all rollers.</p>
			<p>SF4P, SF4,5–6PS Position appropriate number of distance washers to the roller piston rods (acc. to required recess of machine). If the machine is equipped with a drawbar for fixed suspension, set the distance washers also on the drawbar piston rods. Insert piston rods of all rollers (drawbar) by means of the yellow circuit. Now the machine is ready for operation.</p>

8.3.2 Machine Folding Procedure

Machine Folding Procedure – Transport Position				
Initial state:		Machine SF4,5–6 PS is unfolded and recessed, both ball valves on the drawbar are open. Stroj SF4 P is recessed and ball valve on the drawbar is open.		
1				SF4P, SF4,5–6PS Lift the machine on rollers (or rollers and drawbar), i. e. extract the roller piston rods (drawbar) to limit position, i. e. maximum extracted position, by means of the yellow circuit.
				SF4P, SF4,5–6PS Lift the machine to the axle, i. e. extract the axle piston rods to the limit position, i. e. maximum extracted position, by means of the green circuit.
2				SF4,5–6PS Unfold the machine using the red circuit.
3				SF4,5–6PS Close both ball valves on the drawbar and then use the yellow circuit to insert the piston rods of the side rollers to the end position, i.e. maximum insertion.
				SF4P Close ball valve on the drawbar and piston rods of rollers leave ejected. SF4,5–6PS Secure the side frames by the lock drawbar. Now the machine is ready for transport.

Warning!!! The machine must only be transported by the axle, not rollers.



9 MACHINE TRANSPORT ON ROADS

Transport Position of the machine



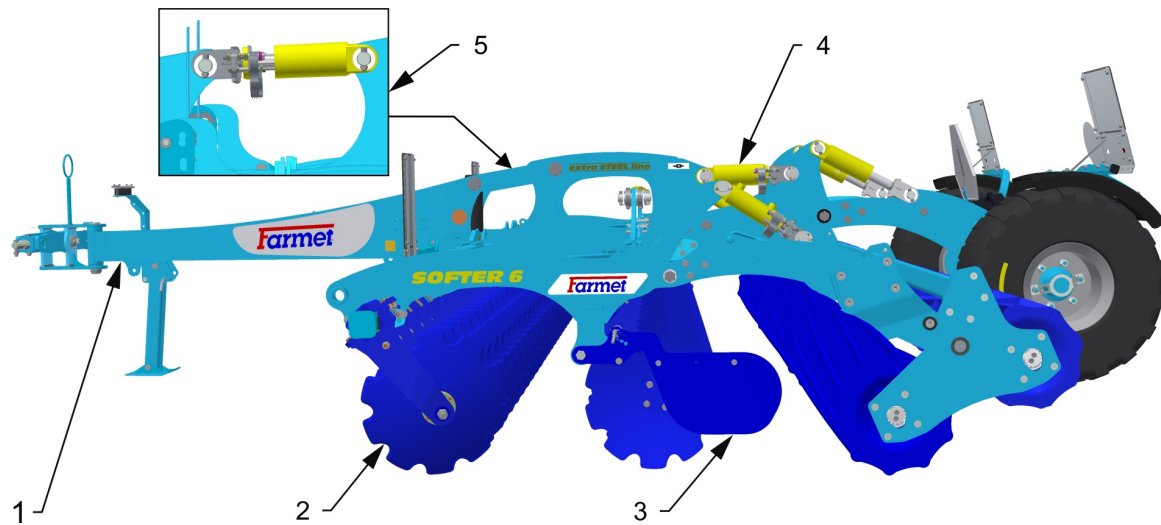
- Connect the machine by suspending on the tractor using the two-point suspension equipment (TPS 3), or the fixed bottom suspension using a pin or a ball.
- Bring the machine into the transport position ad chap.8.3.2.
- The machine must be equipped with removable shields with marking of contours, functional lighting, and the board of the rear marking for slow vehicles (according to ECE No. 69).
- The lighting must be activated during travelling on roads.
- The tractor must be equipped with a special light device of an orange colour, which must be activated during travelling on roads.
- The maximum transport speed during travelling on roads is **20 kph (12,5 mph)**.



Ban of transport with decreased visibility!

- The operator is obliged to pay increased attention during transport on roads, due to the transport dimensions of the machine.
- The operator must observe the valid regulations for transport on roads (laws, decrees) after connecting the machine to the tractor, for reason of a change of the axle load. The driving properties of the set also change depending on the terrain nature, adapt the manner of driving to these conditions.
- Only machines with a valid technical certificate issued in accordance with the valid regulation on the approval of technical qualification and operation on public communications as amended may be transported on public communications. Machines without a valid technical certificate may only be transported on public communications when carried by a towed trailer or other approved means of transport in accordance with the valid regulation.
- The operator is obliged to secure sufficient outlook during reversing from his position of the tractor driver. In case of insufficient outlook, the operator is obliged to call a competent and informed person.
- The operator must fold the side frames for transport and secure them against unwanted unfolding by disconnecting the hydraulic circuit of the machine and the tractor. (except SF4P)
- The operator must secure the arms of the rear TPS of the tractor in the transport position during road transport, i.e. prevent unexpected arm drop using the hydraulic arm control lever. At the same time, the arms of the rear TPS of the tractor must be secured against side swinging.
- During machine transport on roads, the operator must observe the valid laws and decrees that deal with this topic and which specify the relationships of the tractor axle load depending on transport speed.
- Clean the entire machine from any accumulated soil before the transportation on the road.

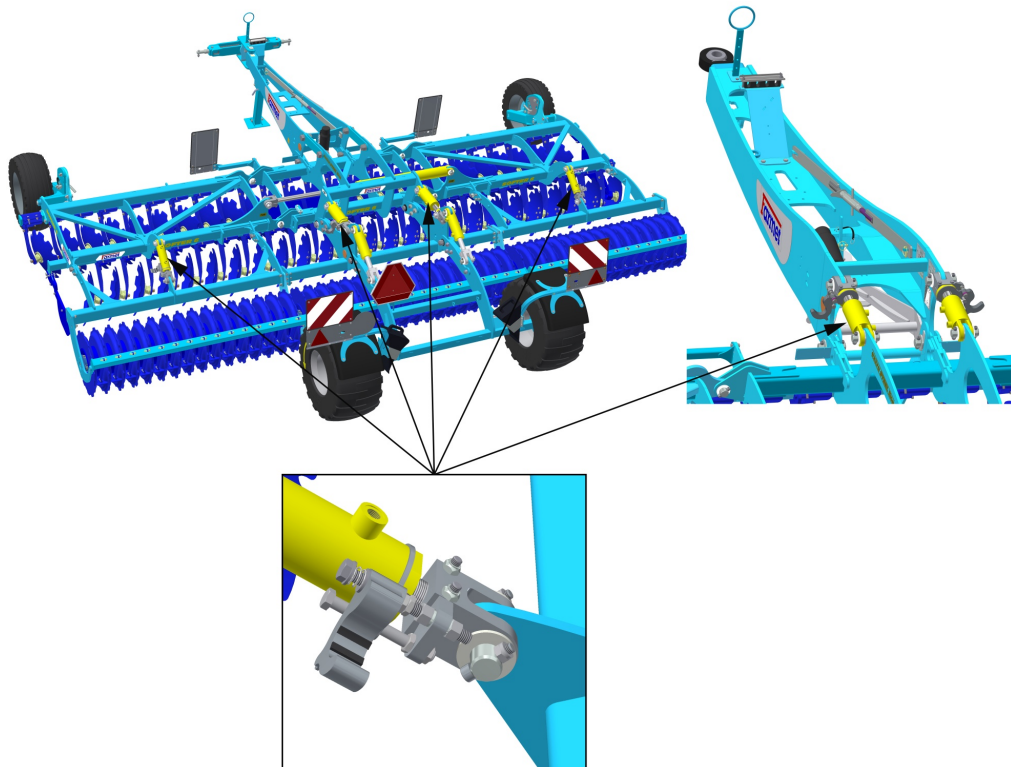
10 MACHINE ADJUSTMENT



- 1 – Drawbar – setting of machine longitudinal plane
- 2 – Edge discs – connection of drives
- 3 – Side deflectors– soil rectification
- 4 – Spots for setting the working depths
- 5 – Fixed suspension version, depth setting

10.1 Adjusting the working depth of the machine

- Setting of soil processing depth is executed on lifted machine through adding or removing of distance washers on hydraulic cylinders.



- **The same number of washers must be set on all piston rods!!!**
- Transfer ratio between thickness of distance elements and working depth is approximately 1:3.
- E. g.: Adding or removing one washer with the thickness of 3mm (0.12in) changes the working depth of the machine by 8-9mm (0.32-0.35in).
- Tab.1 shows the individual working positions and number of washers needed to achieve the required machine depth.
- The position of the tracing wheel for the individual depths is provided in Tab. 1 in the first column. The number of the position in the table corresponds with the number of the opening for the pin on the tracing wheel arm.
- Specified working depths at individual positions are only for information. They may vary according to particular soil conditions. It is possible to add or remove a required number of washers as needed.

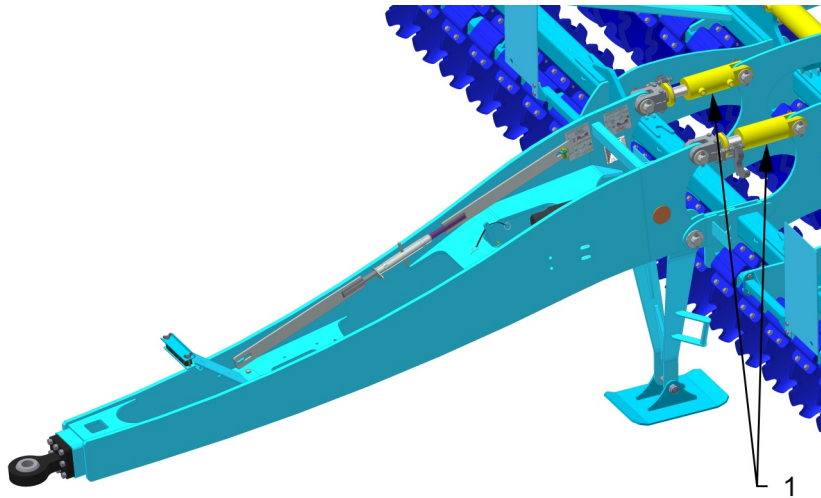
Tab 1. – Setting of working depth - mm/in

1		32 / 1.3
2		40 / 1.6
3		48 / 1.9
4		56 / 2.2
5		64 / 2.5
6		72 / 2.8
7		80 / 3.2
8		88 / 3.5
9		96 / 3.8
10		104 / 4.1
11		112 / 4.4
		120 / 4.7

- 1 – Position of tracing wheel
 2 – Number of washers
 3 – Working depth

10.2 Drawbar for the bottom fixed hitch

- If the machine is equipped with a drawbar for the bottom fixed suspension, it is required to set the working depth using the spacing washers also on the piston rods of the drawbar as shown below.



1 – Depth adjustment on the drawbar

- When aggregating the machine to the tractor with a bottom hitch at the height of 600 mm (24 in) from the ground, use the same number of washers on the drawbar piston-rods as on the rear rollers; when the hitch is lower, the height has to be corrected using additional washers according to tab.2.

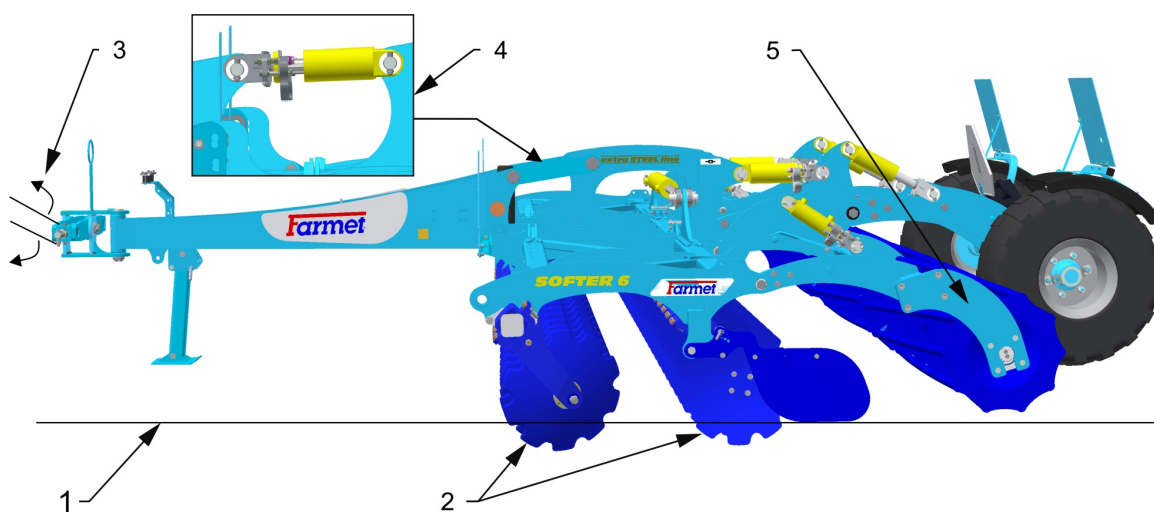
- 1 – Hitch height $h = 600 \text{ mm} / 24 \text{ in}$
Washers same as on rollers
- 2 – Hitch height $h = 550 \text{ mm} / 22 \text{ in}$
Washers same as on rollers + 6 ks
- 3 – Hitch height $h = 500 \text{ mm} / 20 \text{ in}$
Washers same as on rollers +12

Tab. 2 – Setting the working depth on the drawbar

	h [mm/in]			
	600/24	550/22	500/20	
1	[Washer pattern]			32 / 1.3
2	[Washer pattern]	+6	+12	40 / 1.6
3	[Washer pattern]			48 / 1.9
4	[Washer pattern]			56 / 2.2
5	[Washer pattern]			64 / 2.5
6	[Washer pattern]			72 / 2.8
7	[Washer pattern]			80 / 3.2
8	[Washer pattern]			88 / 3.5
9	[Washer pattern]			96 / 3.8
10	[Washer pattern]			104 / 4.1
11	[Washer pattern]			112 / 4.4
				120 / 4.7

10.3 Adjusting the longitudinal plane of the machine

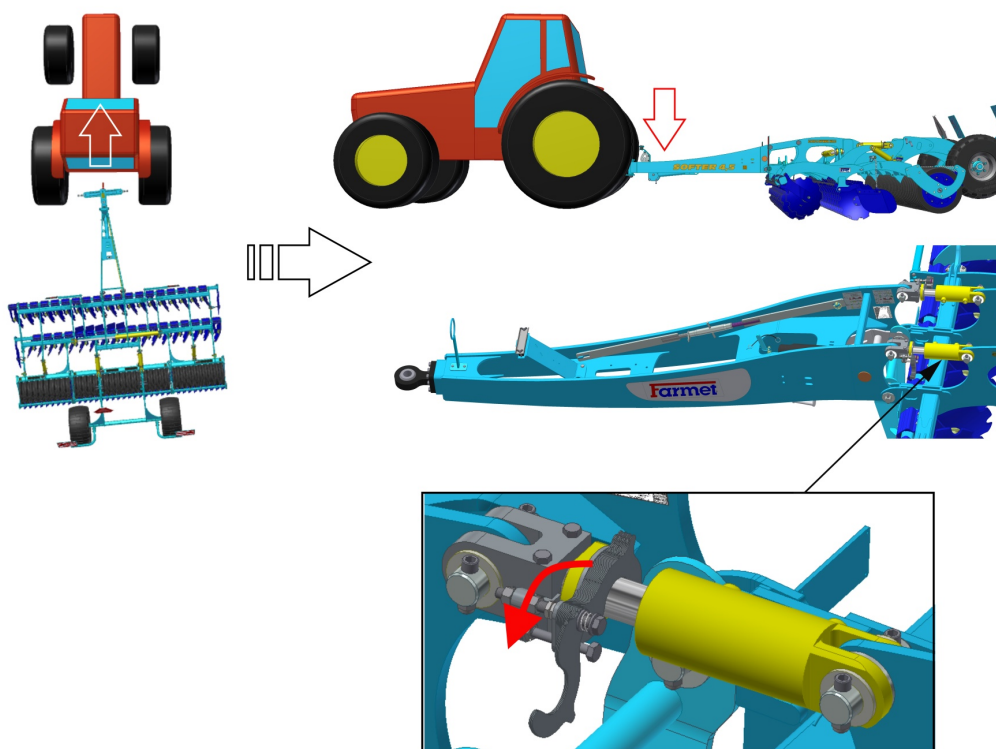
- With the use of the TPS shoulders of the tractor, or the spacing washers on the piston rods of the drawbar, adjust the machine so that the front and rear row discs work in the same depth.



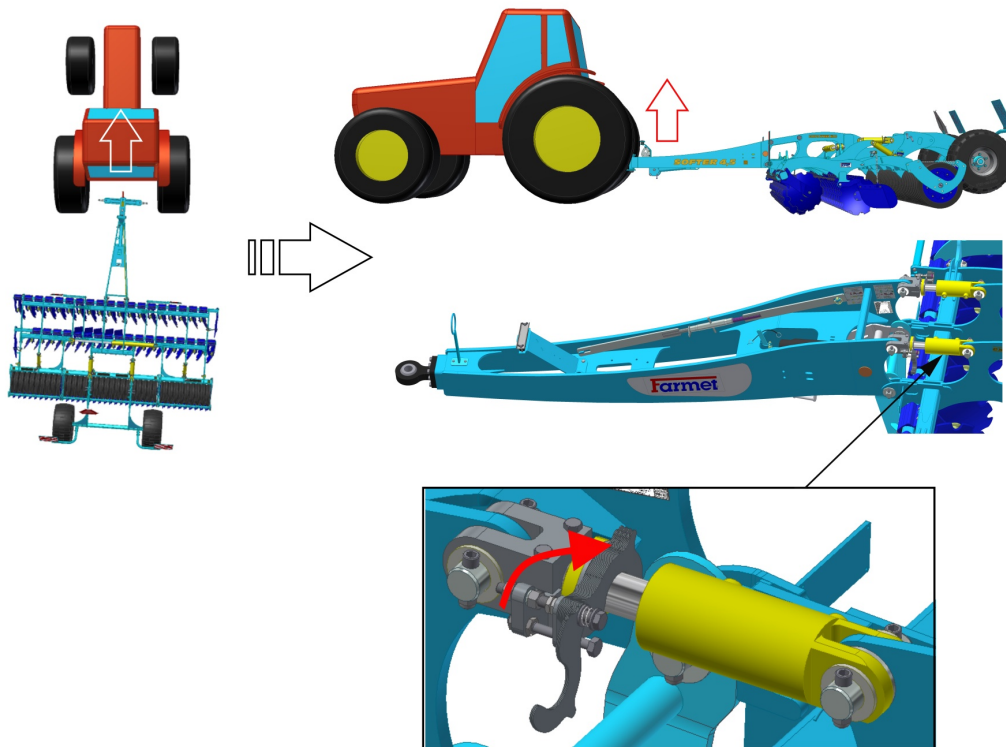
- 1 – Soil
- 2 – Setting the same depth for front and rear disc rows
- 3 – TBZ shoulders of the tractor
- 4 – Fixed suspension version, depth setting
- 5 – Setting the depth by rear rollers

The machine features high stability during operation. However turning of machine to one side may occur with fault adjusted longitudinal plane (particularly in heavy soils). This is removed by modification of tractor arm height as follows, or by adding or removing spacing washers on the drawbar piston rods:

- When the machine turns to the right-hand side, lower the machine in arms, or remove the spacing washers on the drawbar piston rods.



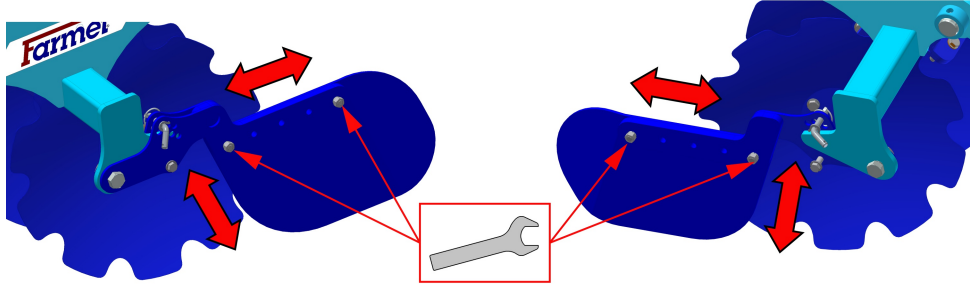
- When the machine turns to the left-hand side, lift the machine in arms, or remove the spacing washers on the drawbar piston rods.



10.4 Setting side deflectors and edge discs

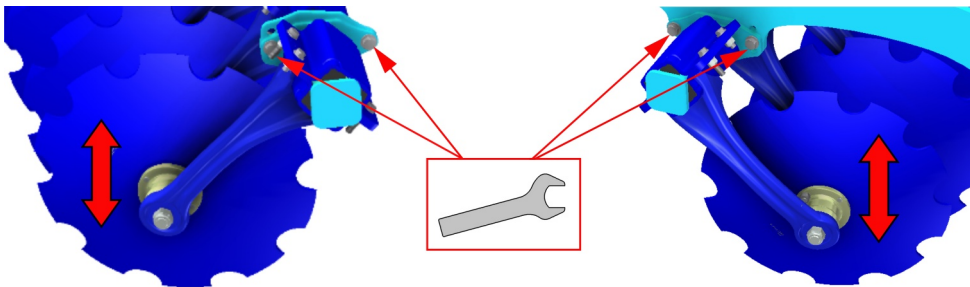
- According to the type and quantity of plant residues, it is necessary to set the side deflectors.

Options for side deflector settings



- The position of the edge discs is adjustable and they allow different recess against other discs. The adjustment is executed so that the working depth of the edge discs is lower (approx $\frac{1}{2}$ - $\frac{1}{4}$ of the depth of the other discs) so that no unevenness is created on the land.

Options for edge disc settings



11 MACHINE MAINTENANCE AND REPAIRS



Observe the safety instructions for treatment and maintenance.

- If it is necessary to weld during the repair and have the machine connected to the tractor, it must have disconnected supply cables from the alternator and the accumulator.
- Check the tightening of all screw and other assembly connections at the machine before every use of the machine, furthermore continuously as needed.
- Continuously check the wear of the working bodies of the machine, possibly replace these worn working bodies with new ones.
- Adjustment, cleaning, and lubrication of the machine may only be performed with the machine at rest (i.e. the machine is standing and not working).
- When working on a lifted machine, use suitable support equipment supported at marked points or at points suitable for that.
- During adjustment, cleaning, maintenance, and repair of the machine, you must secure those parts of the machine that could endanger the operator by falling or another movement.
- For catching the machine during handling using lifting equipment, use only the places marked with self-adhesive labels with the chain sign "—○—".
- Upon a failure or damage of the machine, immediately turn off the tractor's engine and secure against restarting, secure the machine against movement — only then you can remove the failure
- During repairs of the machine, use exclusively the genuine spare parts, suitable tools and protective equipment.
- Regularly check the prescribed pressure in the machine tyres and the condition of the tyres. Perform possible repairs of the tyres in an expert workshop.
- Keep the machine clean.

12 MACHINE STORAGE

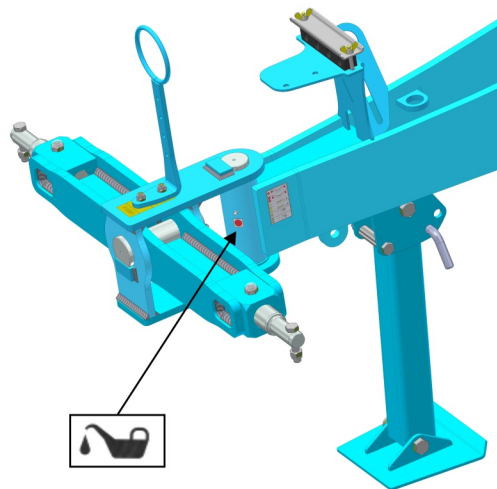
Long-term machine shutdown :

- Store the machine under a roof if possible.
- Store the machine on a flat and solid surface with sufficient load capacity.
- Clean the machine before storing and conserve so that it is not damaged in any way during storage. Pay special attention to all marked lubrication points and properly lubricate them according to the lubrication plan.
- Store the machine in the position with folded frames in the transport position. Store the machine on the axle and the storage leg, secure the machine against spontaneous movement using scotches or another suitable tool.
- When storing, lower the machine into the lower position using hydraulics.
- The machine must not rest on the working parts. It could damage the working parts of the machine.
- Secure the machine against access of unauthorised persons.

13 MACHINE LUBRICATION SCHEDULE

- During machine maintenance and its lubrication, it is necessary to observe the safety regulations.
- If the machine is equipped with a drawbar for the bottom fixed suspension, it is completely maintenance-free as far as lubrication is concerned.

LUBRICATION POINT	INTERVAL	LUBRICANT
Pole joint	Daily, always before the work with the machine. Always after the end of the season and before storing the machine	Plastic grease KP2P-20 Likx according to DIN 51 502



Lubricant handling:

- Protect yourselves against direct contact with oils by using gloves or protective creams.
- Thoroughly wash oil spots on the skin using warm water and soap.
- Do not clean the skin with petrol, engine diesel fuel or other solvents.
- Oil is poisonous. If you swallowed the oil, immediately seek a physician.
- Protect the lubricants against children.

14 ENVIROMENTAL PROTECTION

- Regularly check the tightness of the hydraulic system.
- Preventively replace or repair hydraulic hoses, possibly further parts of the hydraulic system showing signs of damage, before oil leaks occur.
- Check the condition of hydraulic hoses and perform their timely replacement. The service life of hydraulic hoses includes the time, when they were stored.
- Handle oils and greases according to valid waste laws and regulations.

15 MACHINE DISPOSAL AFTER SERVICE LIFE EXPIRY

- The operator must ensure during machine disposal that steel parts and parts, in which hydraulic oil or lubricating grease moves are differentiated.
- Steel parts must be cut by the operator while observing safety regulations and handed over to the secondary raw material collection point. He must proceed with other parts according to valid laws about waste.

16 SERVICING AND WARRANTY CONDITIONS

16.1 Servicing

Servicing is secured by the dealer after consulting with the manufacturer, possibly directly by the manufacturer. Spare parts then using the sales network by individual sellers in the entire country. Use only the spare parts according to the spare parts catalogue officially issued by the manufacturer.

16.2 Warranty

1. The manufacturer provides a warranty of 24 months for these machine parts: main frame, axle, and machine tow bar. For other parts of the machine, the manufacturer provides a warranty of 12 months. The warranty is provided from the date of sale of the new machine to the end user (consumer).
2. The warranty applies to hidden defects that will show in the warranty period with proper use of the machine and while fulfilling the conditions stated in the operating manual.
3. The warranty does not apply to wearable spare parts, i. e. regular mechanical wear and tear of replaceable parts of the working sections (shares, edges, etc.).
4. The warranty does not apply to indirect consequences of possible damage, such as service life decrease etc.
5. The warranty is bound to the machine and is not void upon an owner change.
6. The warranty is limited to the disassembly and assembly, possibly replacement or repair of the defective part. The decision, whether to replace or repair the defective part, is up to the contractual workshop of Farmet.
7. During the warranty period, only the authorised servicing technician of the manufacturer may perform repairs or other interventions into the machine. In the opposite case, the warranty will not be acknowledged. This provision does not apply to the replacement of wearable spare parts (see point 3).
8. The warranty is conditioned by using the genuine spare parts of the manufacturer.

(CZ) **ES PROHLÁŠENÍ O SHODĚ**
 (GB) **CE CERTIFICATE OF CONFORMITY**
 (D) **EG-KONFORMITÄTSERKLÄRUNG**
 (F) **DÉCLARATION CE DE CONFORMITÉ**
 (RU) **СЕРТИФИКАТ СООТВЕТСТВИЯ ЕС**
 (PL) **DEKLARACJA ZGODNOŚCI WE**

1. (CZ) My (GB) We (D) Wir (F) Nous (RU) Мы (PL) My: **Farmet a.s.**
 Jiřínková 276
 552 03 Česká Skalice
 Czech Republic
 DIČ: CZ46504931
 Tel/Fax: 00420 491 450136

(CZ) Vydáváme na vlastní zodpovědnost toto prohlášení. (GB) Hereby issue, on our responsibility, this Certificate. (D) Geben in alleiniger Verantwortung folgende Erklärung ab. (F) Publiions sous notre propre responsabilité la déclaration suivante. (RU) Под свою ответственность выдаем настоящий сертификат. (PL) Wydajemy na własną odpowiedzialność niniejszą Deklarację Zgodności.

2. (CZ) Strojní zařízení: - název : **Diskový podmítač**
 (GB) Machine: - name : **Disk plough-harrow**
 (D) Fabrikat: - Bezeichnung : **Kurzscheibenegge**
 (F) Machinerie: - dénomination : **Déchaumeur à disques**
 (RU) Сельскохозяйственная машина: - наименование : **Дисковый луцильник**
 (PL) Urządzenie maszynowe: - nazwa : **Talerzowy plug podorywkowy**
- typ, type : **SOFTER**
 - model, modèle : **SOFTER 4 P; 4,5 PS; 5 PS; 6 PS; 8 PS; 11 PS**
 - (CZ) výrobní číslo :
 - (GB) serial number :
 - (D) Fabriknummer :
 - (F) n° de production :
 - (RU) заводской номер :
 - (PL) numer produkcyjny :

3. (CZ) Příslušná nařízení vlády: č.176/2008 Sb. (směrnice 2006/42/ES). (GB) Applicable Governmental Decrees and Orders: No. 176/2008 Sb. (Directive 2006/42/ES). (D) Einschlägige Regierungsverordnungen (NV): Nr. 176/2008 Slg. (Richtlinie 2006/42/ES). (F) Décrets respectifs du gouvernement: n°.176/2008 du Code (directive 2006/42/CE). (RU) Соответствующие постановления правительства: № 176/2008 Сб. (инструкция 2006/42/ES). (PL) Odpowiednie rozporządzenia rządu: nr 176/2008 Dz.U. (Dyrektywa 2006/42/WE).

4. (CZ) Normy s nimiž byla posouzena shoda: (GB) Standards used for consideration of conformity: (D) Das Produkt wurde gefertigt in Übereinstimmung mit folgenden Normen: (F) Normes avec lesquelles la conformité a été évaluée: (RU) Нормы, на основании которых производилась сертификация: (PL) Normy, według których została przeprowadzona ocena: ČSN EN ISO 12100, ČSN EN ISO 4254-1.

(CZ) Schválil (GB) Approve by dne: 01.06.2018
 (D) Bewilligen (F) Approuvé
 (RU) Утвердил (PL) Uchwalil

Ing. Tomáš Smola
 technický ředitel
 Technical director


Farmet a.s.
 Jiřínková 276
 552 03 Česká Skalice
 DIČ CZ46504931
 59

V České Skalici dne: 01.06.2018

Ing. Karel Žďárský
 generální ředitel společnosti
 General Manager

