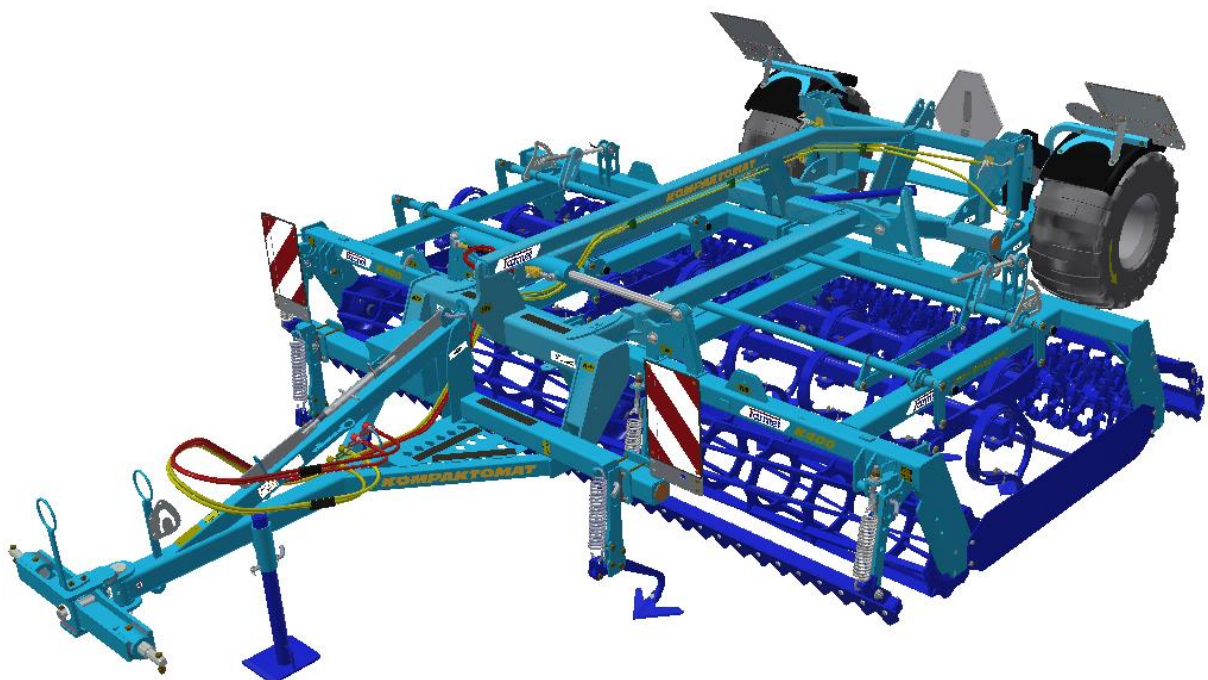


OPERATING MANUAL

KOMPAKTOMAT

K300P | K400PS | K450PS



Edition: 4 | effective from: 1. 8. 2023

Dear customer,

Semi-carried machines **KOMPAKTOMAT** are quality products of Farmet a.s. Česká Skalice.

You can fully utilise the advantages of your machine after thoroughly studying the operating manual.

The serial number of the machine is punched on the production label and written in the operating manual (see MACHINE SPECIFICATION). This machine serial number must be stated whenever ordering spare parts for possible repairs. The production label is located on the middle frame near the tow bar.

Use only original spare parts for these machines according to the **Spare parts catalogue** officially issued by the manufacturer, Farmet a.s. Ceska Skalice.

POSSIBILITIES OF USE OF YOUR MACHINE

KOMPAKTOMAT je is intended for presowing preparation of soil as a subsequent operation after ploughing or stubble breaking with incorporated plant residues.

MACHINE SPECIFICATION:

TYPE OF MACHINE KOMPAKTOMAT

--

SERIAL NUMBER OF MACHINE

--

USED EQUIPMENT:

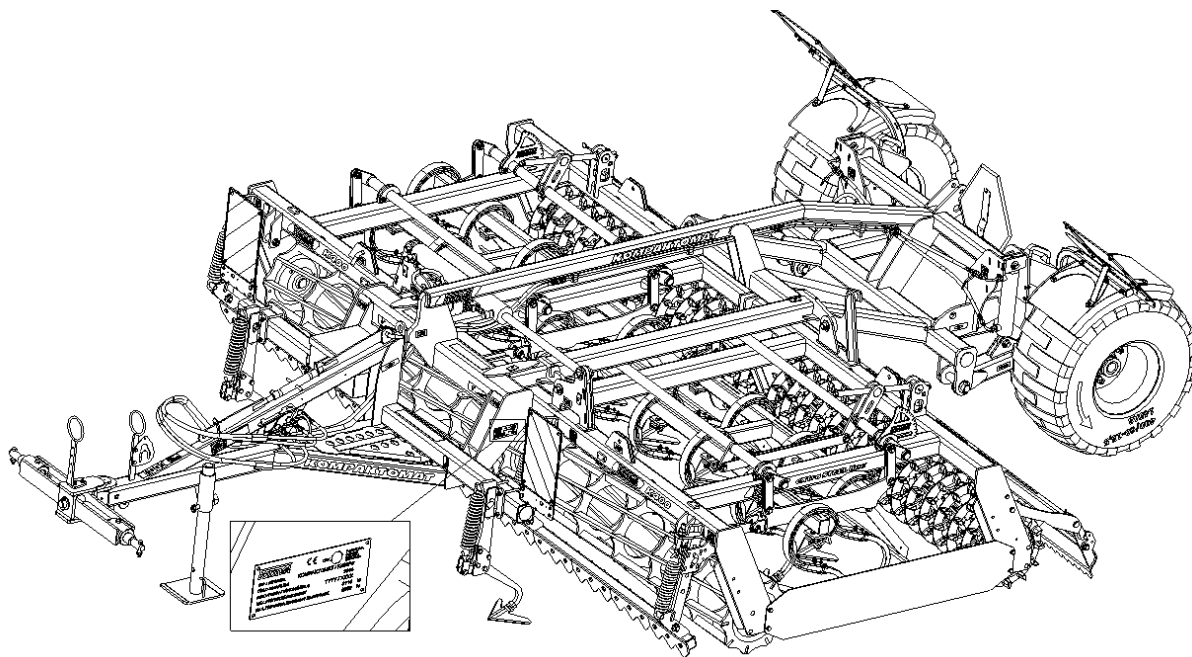
.....

.....

.....

.....

.....



CONTENTS

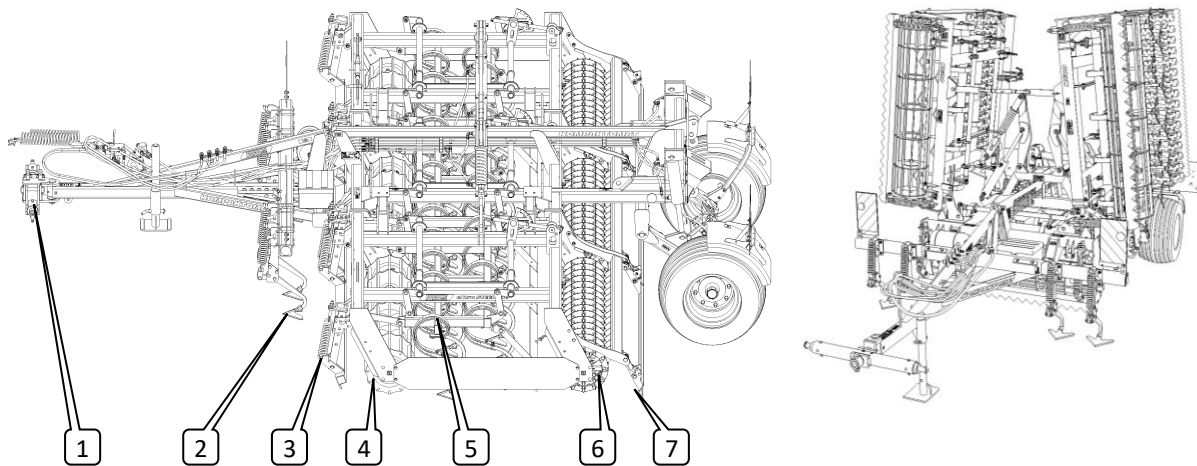
BASIC DESCRIPTION OF THE KOMPAKTOMAT MACHINE.....	4
Machine limit parameters.....	6
Safety statement.....	6
A. GENERAL INSTRUCTIONS FOR USE	6
Protective tools	7
B. MACHINE TRANSPORT USING TRANSPORT MEANS	7
C. MACHINE HANDLING USING LIFTING EQUIPMENT	8
D. WORK SAFETY LABELS	8
1. DESCRIPTION	13
2. AGREGATION TO A TRACTOR	14
3. WORKING PARTS	14
4. MACHINE ASSEMBLY AT THE CUSTOMER	17
5. COMMISSIONING	17
5.1 Agregation to a tractor	18
5.2 Hydraulic of the machine	19
5.3 Folding and unfolding the machine	22
5.3.1 Folding the machine into the transport position	22
5.3.2 Unfolding the machine into the working position	23
6. MACHINE TRANSPORT ON ROADS	24
6.1 Sharp machine projection	25
7. ADJUSTING THE WORKING PARTS OF THE MACHINE	26
7.1 Adjusting the position and depth of the track cultivators.....	26
7.2 Adjusting the spring-mounted front leveller	28
7.3 Adjusting the components of working rollers	30
7.3.1 RR – ring rollers.....	30
7.4 Adjusting the depth of the share section	30
7.4.1 MCD - mechanical depth setting.....	31
7.4.2 HD - hydraulic depth setting	31
7.5 Adjusting the leveller height behind shares	31
7.6 Setting the finishing section features.....	32
7.6.1 Setting the angle of the rear leveller.....	32
7.6.2 Setting the pressure of the finishing roller.....	33
8. AGGREGATION WITH OTHER EQUIPMENT.....	33
8.1 Aggregation with pneumatic drill machine	37
9. MAINTENANCE AND REPAIRS OF THE MACHINE	38
9.1 Lubrication plan for the machine	42
9.2 Replacement of worn shares.....	43
9.2.1 Replacement of worn shares on the central frame	43
9.2.2 Replacement of worn shares of the side frame.....	43
9.3 Replacement of the working roller bearings	44
9.3.1 Using the tool for bearing disassembly and assembly.....	45
9.3.1.1 Complete bearing disassembly.....	46
9.3.1.2 Disassembly of the ring	47
9.3.1.3 Assembling bearings onto pins.....	48
9.3.2 Using spacer.....	49
10. MACHINE STORAGE – LONG-TERM MACHINE SHUTDOWN:	50
11. PROTECTION OF ENVIRONMENT	51
12. MACHINE DISPOSAL AFTER SERVICE LIFE EXPIR	51
13. SERVICING AND WARRANTY CONDITIONS	51
CE Certificate of Conformity	53

BASIC DESCRIPTION OF THE KOMPAKTOMAT MACHINE

The modular concept of the Kompaktomat machine design allows for variable use of its various alternatives. The machine can be attached to the tractor either via the rear arms of the three-point hitch or via the fixed bottom hitch. Furthermore, to improve the function in particular conditions, it is possible to change the working parts of the machine such as the type and number of track cultivators, type of front levellers, type of front rollers, type of share sections and type of rear rollers. To increase productivity, Kompaktomat machines can be additionally equipped with hydraulic control of the front leveller position and share depth setting.

The standard version of the semi-carried machine consists of the following parts:

- Carrier bar for connecting to the three-point hitch of the pulling vehicle
- Towing forks with adjustable tractor track cultivators
- Supporting frames of the machine
- The machine is standardly equipped with a mechanical drawbar that secures the side frames in the transport position
- The machine is standardly equipped with front and rear safety plates with oblique red-and-white hatching and with taillights and a reflective plate for vehicle marking according to EHK No. 69



Standard Version Working parts

- 1) Three-point hitch carrier bar 3
- 2) Automatically spring-loaded track cultivators with sweeps
- 3) Automatically spring-loaded front levellers with mechanical height adjustment
- 4) Front 12-piece slatted roller 400mm
- 5) Sweep section on formed springs with a levelling bar and mechanically controlled depth
- 6) Rear cross-kill roller with a cleaner
- 7) Rear leveller with the option of mechanical adjustment of the leveller angle




TECHNICAL PARAMETERS	K300P	K400PS	K450PS	
Working width (mm)	3000	4000	4500	
Transport width (mm)	3000			
Transport height (mm)	1650	2670	3030	
Total length of the machine (mm)	5965			
Working depth (mm)	0-100			
Number of shares A/B/C	13/30/12	18/39/16	20/47/20	
Working performance (ha/hour)	2,2-3,2	3-4	3,5-4,5	
Working speed (km/hour)	8-12			
Maximum transport speed (km/hour)	20			
Maximum slope accessibility (°)	6			
Tyre dimensions (type)	400/60-15,5 145A8			
Tyre pressure (kPa)	350			
Max. weight of the machine (standard version)	2360	3010	3340	
Oil filling HLP 46 DIN51524-2 (l)	4	7		
Requirement for the engine power of the tractor (kW)*	70	90	110	
Requirement for tractor aggregation	<i>STANDARD EQUIPMENT</i> Spacing of the bottom hitch joints (as measured on the joint axes)	870 +/- 1,5 mm		
	∅ of the bottom hitch joint holes for the hitch pins of the machine	<i>STANDARD EQUIPMENT</i> ∅37.5mm		
		<i>ABOVE-STANDARD EQUIPMENT</i> ∅29mm		
Requirement for the hydraulic system of the tractor	<i>STANDARD EQUIPMENT</i> - Side frame folding circuit	Pressure in the circuit 200bar, 2 sockets for snap coupling ISO 12.5		
	<i>STANDARD EQUIPMENT</i> - Axle lifting circuit	Pressure in the circuit 200bar, 2 sockets for snap coupling ISO 12.5		
	<i>ABOVE-STANDARD EQUIPMENT</i> - Front leveller control circuit	Pressure in the circuit 200bar, 2 sockets for snap coupling ISO 12.5		
	<i>ABOVE-STANDARD EQUIPMENT</i> - Share depth control circuit	Pressure in the circuit 200bar, 2 sockets for snap coupling ISO 12.5		
	<i>ABOVE-STANDARD EQUIPMENT</i> - Drill machine drive fan circuit	PRESSURE BRANCH – circuit with oil supply priority Pressure in the circuit 130bar, 1 socket for snap coupling ISO 12.5, Maximum flow 40 l/min		
		WASTE BRANCH – free waste into the oil tank Pressure in the circuit 5bar, 1 socket for snap coupling ISO 20		
Requirement for the air system of the tractor	<i>ABOVE-STANDARD EQUIPMENT</i> - Machine axle braking circuit	Pressure in the circuit at least 6bar – max. 15bar, 2 coupling heads of single-circuit two-hose brakes		

* These values are only as recommended tractive equipment. The actual tractive force may substantially differ according to the processing depth, soil conditions, slope of the land, wear and tear of working parts and their adjustment.

MACHINE LIMIT PARAMETERS





- ^(x) The machine is to be used for presowing preparation of soil after ploughing or stubble breaking with working depth from 0 mm to 100 mm for soil cultivation in agriculture. Other uses exceeding the determined purpose is forbidden.
- ^(x) Machine operation is performed by one person – the tractor driver.
- ^(x) Machine operator must not use the machine in a different way, especially:
 - ^(x) Transport of persons and animals on the machine structure,
 - ^(x) Transport of burdens on the machine structure,
 - ^(x) Aggregation of the machine with another towing equipment than stated in Chapter „5.1./p.18“.

SAFETY STATEMENT

	This warning sign warns about an immediate dangerous situation ending with death or severe injury.
	This warning sign warns about a dangerous situation ending with death or severe injury.
	This warning sign warns about a situation that may end with a smaller or slight injury. It also warns about dangerous actions related to the activity that could lead to an injury.

A. GENERAL INSTRUCTIONS FOR USE

- A.1** ^(x) The machine is made in accordance with the latest equipment state and approved safety regulations. However, dangers of user or third person injury or machine damage or creation of other material damage may arise during use.
- A.2** ^(xx) Use the machine only in a technically sound condition, in accordance with its purpose, aware of possible dangers, and while adhering to the safety instructions of this operating manual! The Manufacturer is not liable for damages caused by the use of the machine that is in contradiction with the limit parameters of the machine and with the instructions for the use of the machine (Chapter A and 5). The User bears the risk.
Immediately remove especially the failures that may negatively affect safety!
- A.3** ⁽⁷⁾ Machine operation may be performed by a person authorised by the operator under these conditions:
- ⁽⁸⁾ It must own a valid driver's licence of the corresponding category,
 - ⁽⁹⁾ It must be demonstrably familiarised with the safety regulations for work with the machine and must practically master the machine operation,
 - ⁽¹⁰⁾ The machine may not be operated by juveniles,
 - ⁽¹¹⁾ It must know the meaning of the safety signs located on the machine. Their respecting is important for safe and reliable machine operation.
- A.4** ⁽¹²⁾ Maintenance and servicing repairs on the machine may only be performed by a person:
- ⁽¹³⁾ Authorised by the operator,
 - ⁽¹⁴⁾ Educated in the machinery field with knowledge of repairs of similar machines,
 - ⁽¹⁵⁾ Demonstrably familiarised with safety regulations for work with the machine,
 - ⁽¹⁶⁾ During a repair of a machine connected to a tractor, it must own a driver's licence of the corresponding category.
- A.5** ⁽¹⁷⁾ Machine operator must secure the safety of other persons when working with the machine or transporting the machine.
- A.6** ⁽¹⁸⁾ During machine work in the field or during transport, the operator must control the machine from the tractor's cabin.

-  **A.7** ⁽¹⁹⁾ The operator may enter the machine structure only with the machine at rest and blocked against movement, namely only for these reasons:
- ⁽²⁰⁾ Adjustment of the machine working parts,
 - ⁽²¹⁾ Repair and maintenance of the machine,
 - ⁽²⁹⁾ Release and securing of spherical valves of the axle,
 - ⁽²⁷⁾ Securing of spherical valves of the axle before folding the side frames,
 - ⁽²⁸⁾ Adjustment of the working parts of the machine after unfolding the side frames.
-  **A.8** ^(xxx) When stepping on the machine, do not step on tyres of the axles or other rotary parts. Those may turn and you can cause very serious injuries by the subsequent fall.
-  **A.9** ⁽²²⁾ Any changes or modifications of machine may be performed only with written consent of the manufacturer. For possible damage arisen due to ignoring this instruction, the producer bears no responsibility. The machine must be maintained equipped with prescribed accessories and equipment including safety marking. All warning and safety signs must be legible and in their places. In case of damage or loss, these signs must be immediately renewed.
- A.10** ⁽²³⁾ The operator must have the Operating Manual with the work safety requirements available at any time when working with the machine.
-  **A.11** ⁽²⁴⁾ The operator must not consume alcohol, medicines, narcotic and hallucinogenic substances that decrease his attention and coordination capabilities while using the machine. If the operator must use medicines prescribed by a physician or uses freely sold medicines, he must be informed by a physician, whether he is capable of responsible and safe operation of the machine under these circumstances.


PROTECTIVE TOOLS

For the operation and maintenance use:

- Tight clothes
- Protective gloves and goggles for protection against dust and sharp parts of the machine



MACHINE TRANSPORT USING TRANSPORT MEANS

- B.1** ⁽¹⁾ The transport means designed for machine transport must have the load capacity minimally identical with the weight of the transported machine. The total weight of the machine is stated on the production label.
- B.2** ⁽²⁾ The dimensions of the transported machine including the transport means must comply with the valid regulations for road traffic (decrees, laws).
-  **B.3** ⁽³⁾ The transported machine must be always fastened to the transport means so that its spontaneous loosening could not happen.
- B.4** ⁽⁴⁾ The carrier is responsible for damage caused by the loosening of incorrectly or insufficiently fastened machine to the transport means.
- B.5** ^(xx) The carrier shall observe the instructions of the responsible employees of Farnet in charge of loading concerning proper binding and securing of the machine on the transportation vehicle, particularly with regard to the potential damage of the machine to be transported.

C. MACHINE HANDLING USING LIFTING EQUIPMENT



- C.1 ⁽¹⁾ The lifting equipment and tying means designed for handling of the machine must have their load capacity at least identical with the weight of the handled machine.
- C.2 ⁽²⁾ Machine fastening for handling may only be performed in places designed for that and marked with self-adhesive labels showing the "chain" symbol.
- C.3 ⁽³⁾ After fastening (suspending) at designated points, it is forbidden to move in the space of possible reach of the handled machine.
- C.4 Table with approximate weights of the parts according to the loading alternative

	K300P	K400PS	K450PS
TOWING FORK (kg)	200	200	200
CENTRAL FRAME (kg)	800	800	800
FORK+CENTRAL FRAME (kg)	1000	1000	1000
RIGHT SIDE FRAME (kg)	1140	1100	1300
LEFT SIDE FRAME (kg)	-	1100	1300
EXTERIOR RIGHT SIDE FRAME (kg)	-	-	-
EXTERIOR LEFT SIDE FRAME (kg)	220	-	-
AXLE (kg)	2360	300	300
MACHINE (kg)	200	3150	3400


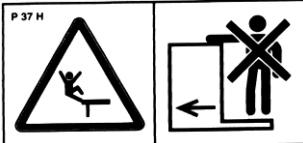
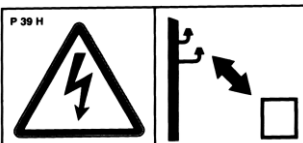

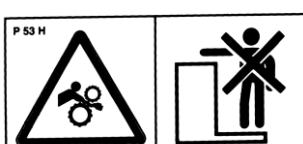
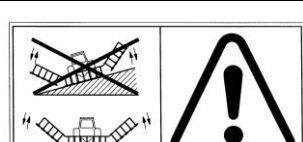
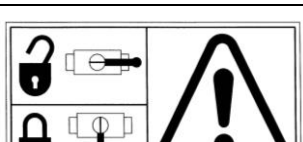

D. WORK SAFETY LABELS

Warning safety labels serve for operator protection.

THE FOLLOWING APPLIES GENERALLY:

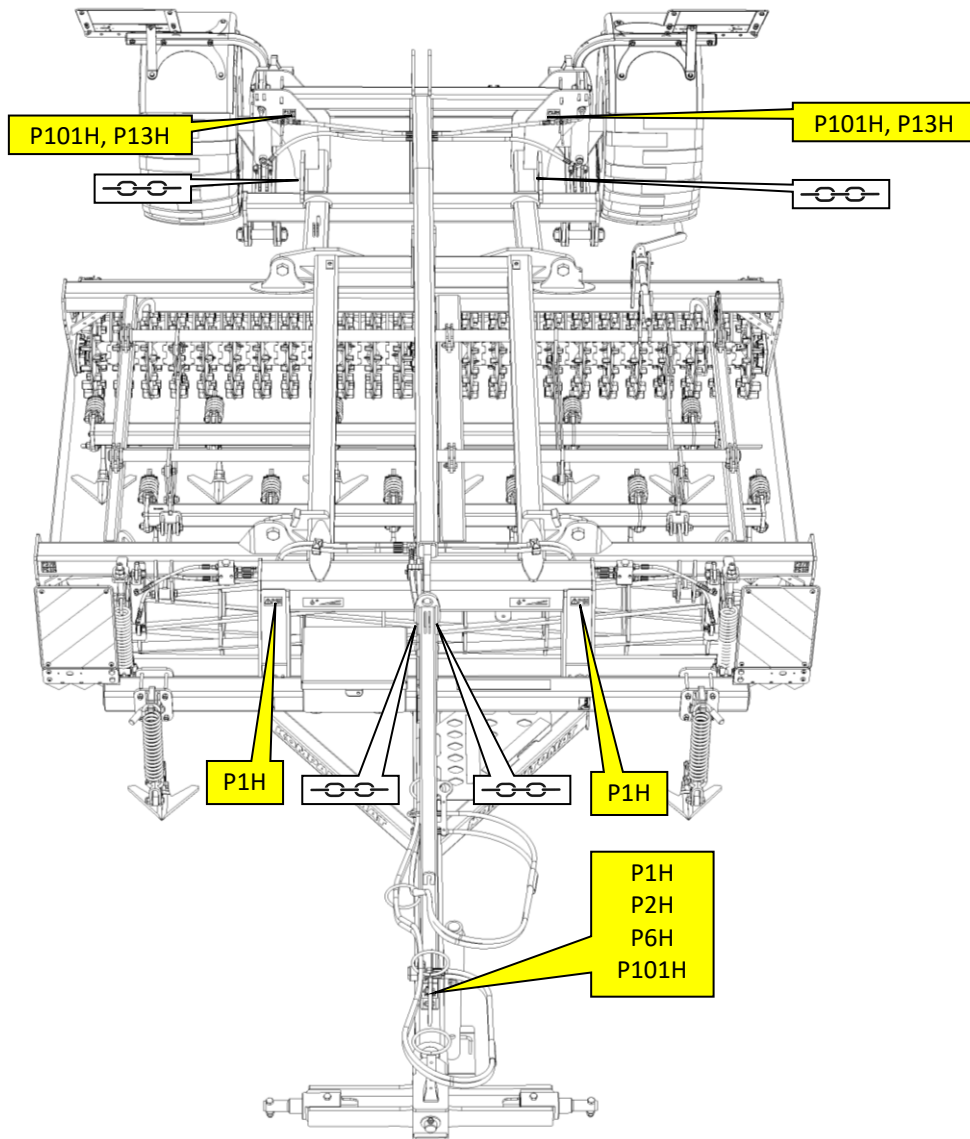
- D.1 Strictly observe the warning safety labels.
- D.2 All safety instructions also apply to other users.
- D.3 The operator shall ensure completeness and readability of labels on the machine, i.e. the operator shall replace any damaged labels with new ones.
- D.4 The appearance and exact meaning of the warning safety labels on the machine are specified in the following table.

WARNING SAFETY LABELS	TEXT TO THE LABELS	POSITION ON THE MACHINE
	<p>Before handling the machine, carefully read the operating manual. Observe the instructions and safety regulations for machine operation during use.</p>	P 1 H
	<p>When connecting or disconnecting, do not step between the tractor and the machine, also do not enter this space, if the tractor and the machine are not at rest and the engine is not turned off.</p>	P 2 H
	<p>Stay outside the reach of the tractor - agricultural machine set, if the tractor engine is in operation.</p>	P 6 H

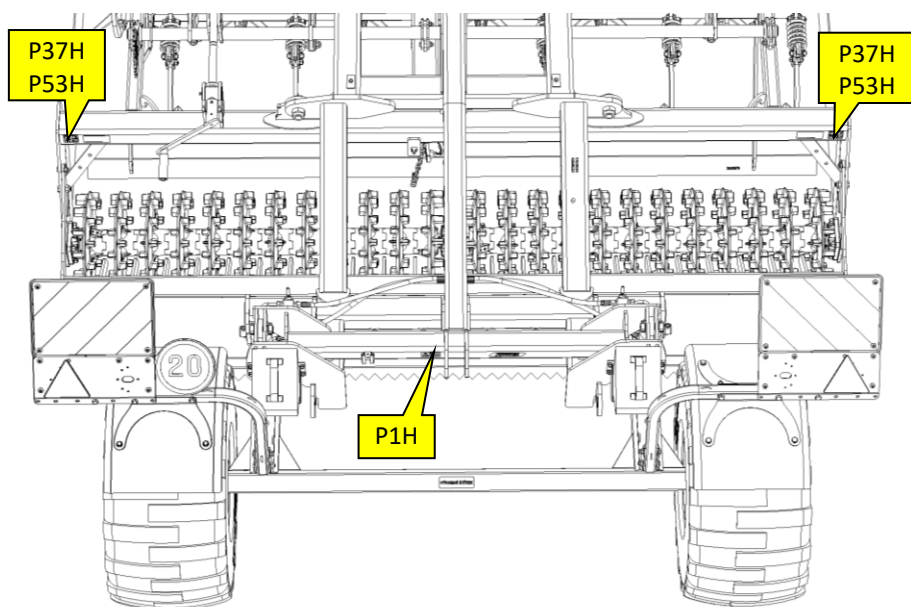
	<p>Secure the side frames against unfolding and the axle against sudden fall prior to the transportation of the machine.</p>	<p>P 13 H</p>
	<p>When unfolding the side frames into the transport position, do not reach into the area of contact with the central frame.</p>	<p>P 20 H</p>
	<p>Driving the machine and transportation on its construction is strictly forbidden.</p>	<p>P 37 H</p>
	<p>When working and transporting the machine, maintain safe distance from the electric appliances.</p>	<p>P 39 H</p>
	<p>Stay outside the reach of the unsecured side frames of the machine.</p>	<p>P 50 H</p>
	<p>Do not approach the rotary parts of the machine unless they are standing still, i.e. they are not rotating.</p>	<p>P 53 H</p>
	<p>It is strictly folding and unfolding the side frames on slopes or inclined surfaces.</p>	<p>P 100 H</p>
	<p>The shown positions of the handle and the function of the hydraulic ball valve located on the piston-rod.</p>	<p>P 101 H</p>
	<p>This indicates areas for hanging using handling equipment.</p>	

D.5 The positions of the warning safety labels on the machine are shown in the following pictures.

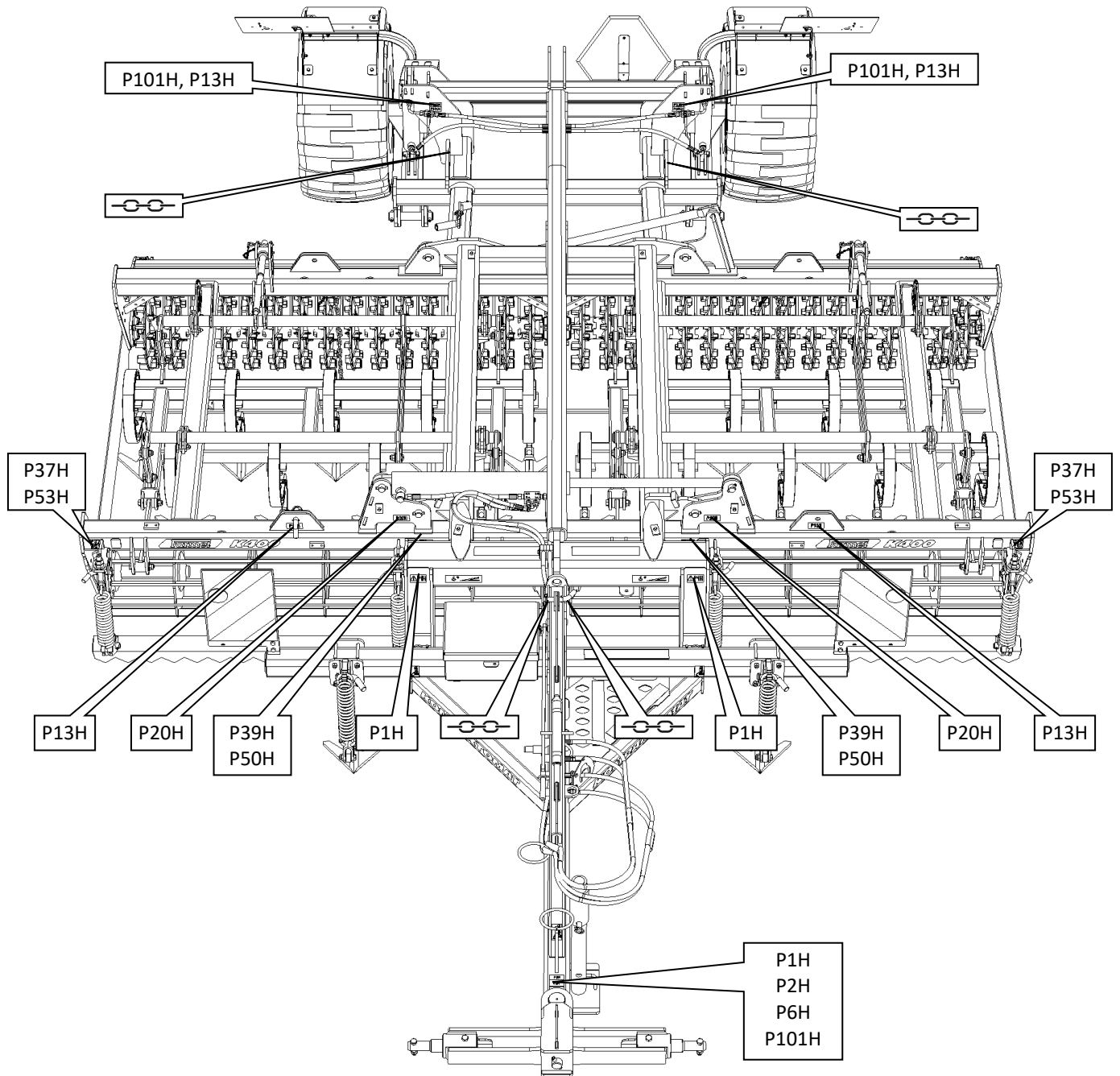
K300P - Front view



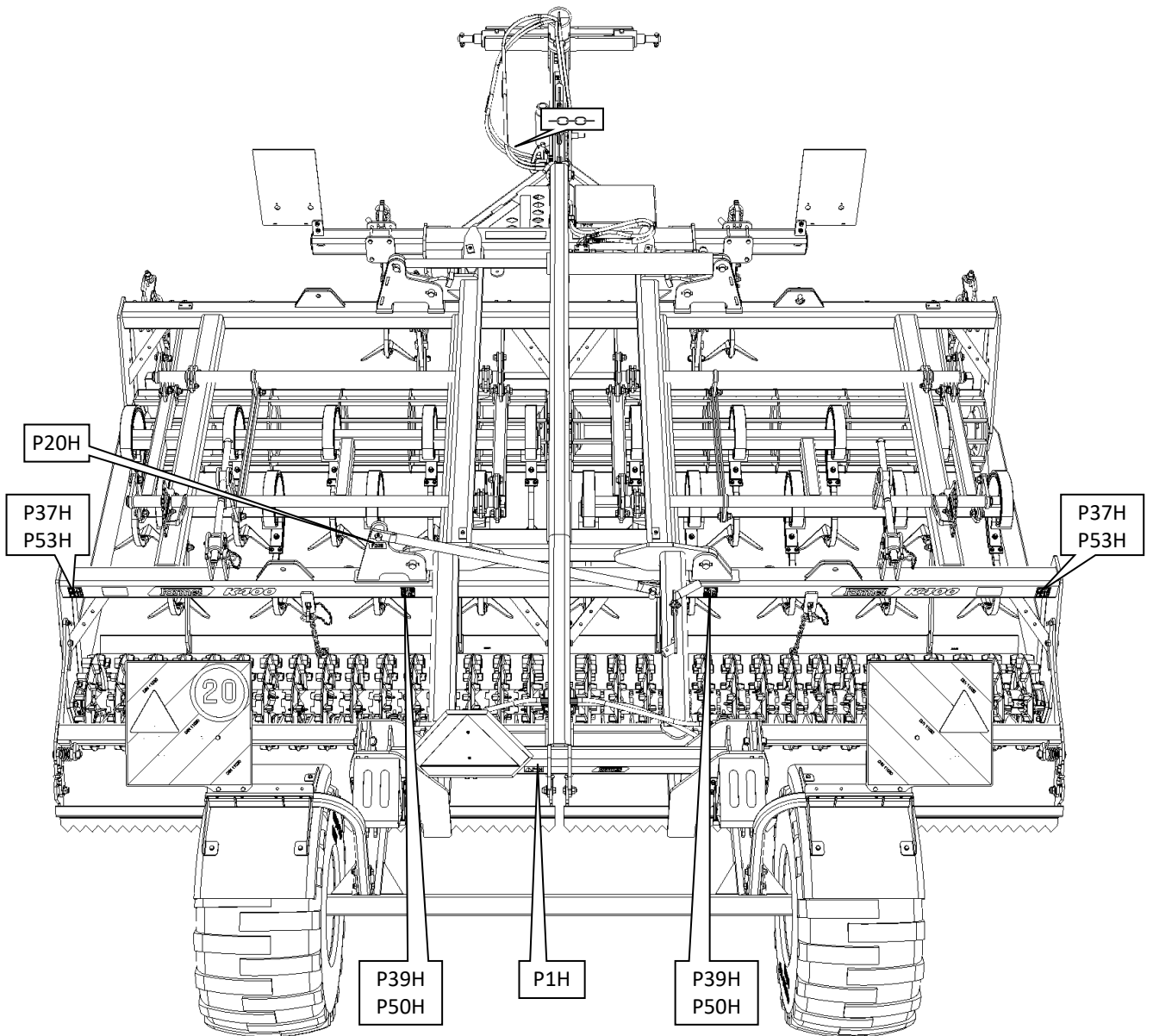
K300P - Rear view



K400PS, K450PS – Front view



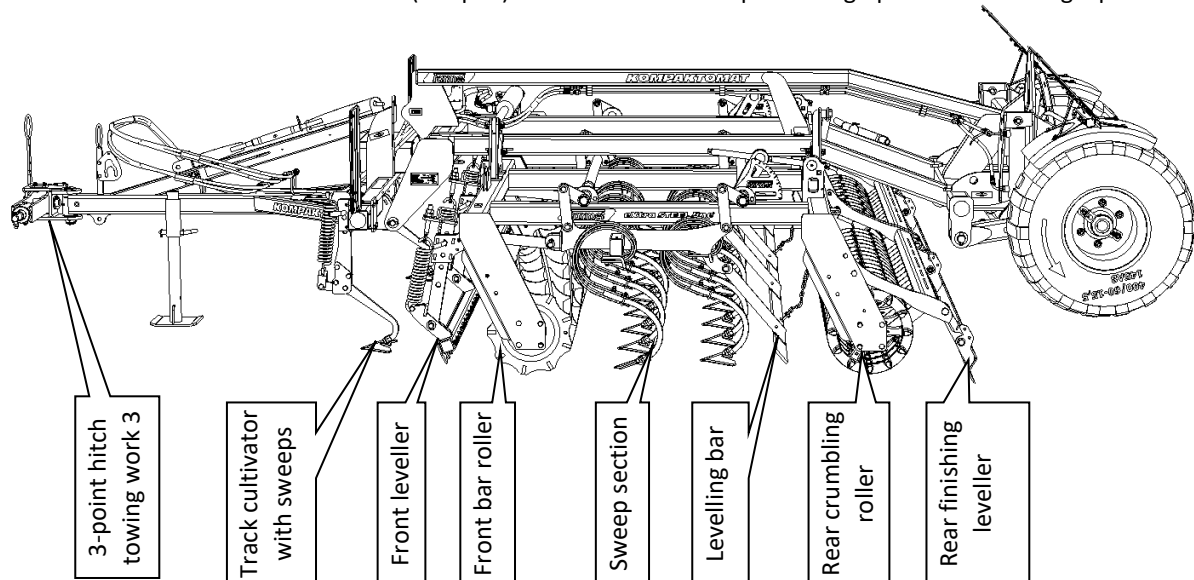
K400PS, K450PS – Rear view



1. DESCRIPTION

Kompaktomat is structurally designed as a semi-carried folding machine aggregated behind a tractor. The machine consists of a towing fork and supporting frames where the individual working parts are installed. The modular design of the machine allows selecting various types of working parts so that the machine meets the high demands of any soil conditions.

The basic version of the machine (see p. 4) combines seven soil-processing operations in a single pass.



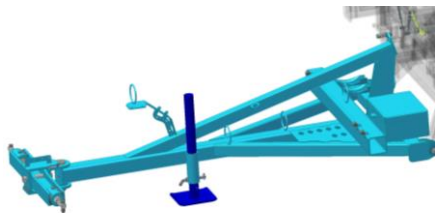
The control for folding the side frames into the transport or working position is designed as a single independent hydraulic circuit controlled by the driver in the tractor cabin.

The control of the axle in the transport or working position is designed as a single independent hydraulic circuit controlled by the driver in the tractor cabin.

All Kompaktomat machines meet the regulations for road transportation.

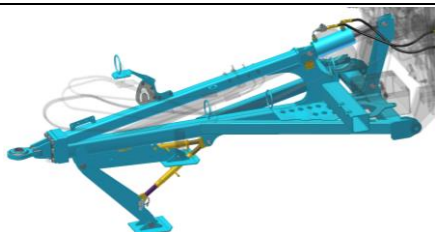
The design of the Kompaktomat machine allows using a whole range of additional equipment to increase productivity and efficiency, such as the automatic front leveller position control system using an independent hydraulic circuit controlled by the driver in the tractor cabin, or the automatic share depth control using an independent hydraulic circuit controlled by the driver in the tractor cabin. Kompaktomat may also be equipped with a rear three-point hitch 2 which allows aggregating other pieces of equipment for soil processing or a pneumatic drill machine behind Kompaktomat.

2. AGREGATION TO A TRACTOR



VERSION – TBZ

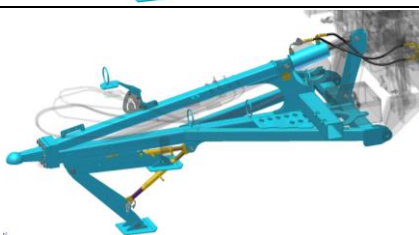
Aggregation of the machine to the rear arms of the tractor in the category TBZ (three-point hitch). You can choose pins for categories TBZ2=ø28mm, TBZ3=ø36mm, TBZ4=ø50mm.



VERSION – C40; C50; C70

Aggregation of the machine to the fixed bottom hitch with a pulling loop with the diameter of 40mm, 50mm or 70mm.

This is offered as the optional equipment of the machine.



VERSION – K80

Aggregation of the machine to the fixed bottom hitch with a K80 ball.

This is offered as the optional equipment of the machine.

3. WORKING PARTS

TRACK CULTIVATOR



CA – Track Cultivator with Sweep

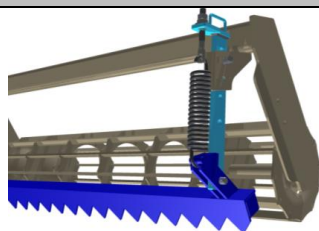
Automatically released tractor track cultivator with a sweep. Suitable for loose types of soil where there is no risk of formation of wet clods. Possibility of mechanical depth setting up to 80mm. Possibility of setting the position directly behind the tractor wheels.



CC – Track Cultivator with Chisel Share

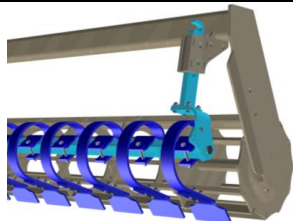
Automatically released tractor track cultivator with a chisel share. Suitable for heavier types of soil where there is no risk of formation of wet clods. Possibility of mechanical depth setting up to 80mm. Possibility of setting the position directly behind the tractor.

FRONT LEVELLERS



FL – Front Fixed Serrated Levelling Bar

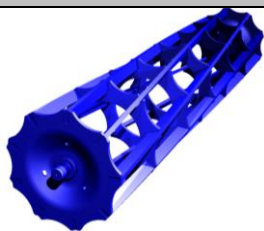
Automatically released levelling bar with a serrated section. Massive construction for precise levelling of coarse furrows. You can choose either manual adjustment of the leveller height or hydraulically controlled leveller height.



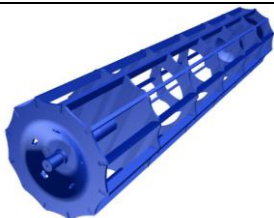
L – Front Levelling Bar with Flexible Segments

Automatically released levelling bar with separate flexible segments. Better clod crumbling. You can choose either manual adjustment of the leveller height or hydraulically controlled leveller height.

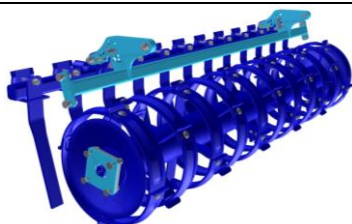
WORKING ROLLERS



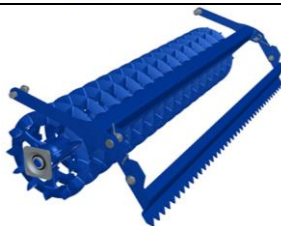
SB – Spiral Bar Roller - Ø40 cm - 60 kg/m
Quality clod crumbling. Suitable for humid conditions.
This type of roller can be used as the FRONT or REAR roller.



BR – Bar Roller - Ø40 cm - 60 kg/m
High-quality clod crumbling. Not suitable for humid conditions.
This type of roller can be used as the FRONT or REAR roller..



RR – Ring Roller Ø40 cm - 115 kg/m
Quality work in all types of soil, good depth guiding, suitable for more humid soils.
This type of roller can be used as the FRONT or REAR roller.



CR - Cross-kill Roller - Ø40 cm - 170 kg/m
Excellent work in light, medium and heavy soils, quality compaction and clod crumbling.
This type of roller can be used as the REAR roller only.

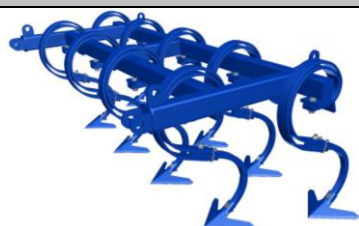


DCR – Double-row Cross-kill Roller - Ø40 cm / Ø40 cm - 175 kg/m
Excellent work in light, medium and heavy soils, quality compaction and clod crumbling.
This type of roller can be used as the REAR roller only.

	BR	SB	CR	DCR	RR
Crumbling	●●●○	●●●○	●●●●	●●●●	●●○○
Compacting	●●●○	●●●○	●●●●	●●●●	●●●●
Depth guiding	●●●●	●●●●	●○○○	●●○○	●●●●
Resistance to clogging	●●○○	●●●○	●●●○	●●●●	●●●●
Suitable for rocky soils	●●●○	●●●○	●●○○	●○○○	●●●○
Suitable for wet soils	●○○○	●●●○	●●○○	●●●○	●●●●
Heavy soils	●●○○	●●○○	●●●○	●●●○	●●●○
Medium soils	●●●○	●●●○	●●●●	●●●●	●●●○
Light soils	●●●●	●●●●	●●●●	●●●●	●●○○

● – MAX / ○ - MIN

SHARE SECTIONS



AL – Section
The share section is equipped with sweeps with the width of 25 cm in two rows. Each sweep is protected by a leaf spring. This section is suitable for lighter soil conditions without plant residues. There is a leveller behind the sweeps.



CF – Section

The share section is equipped with slim chisels with the width of 7 cm in four rows. The section is suitable for processing soil in spring when it is not suitable to pull wet soil out to the surface, or for heavy soils. There is **no** leveller behind the chisels.



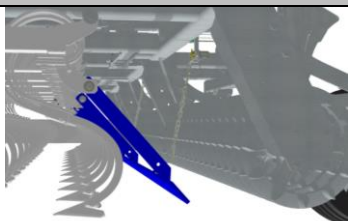
AP – Section

A universal share section is equipped with sweeps with the width of 25 cm in two rows. The sweeps are mounted to frames with geometry improving the permeability of plant residues. Therefore, this section is suitable for land with a higher occurrence of crushed plant residues as well as for heavy soils. There is a leveller behind the sweeps.

	AL	CF	AP
Number of rows of shares (pieces) / Row spacing (mm)	2 / 400	4 / 240	2 / 490
Leveller behind shares	●●●●	○○○○	●●●●
All-area processing	●●●●	●●●○	●●●●
Suitable for light soils	●●●●	●●●●	●●●●
Suitable for medium soils	●●●○	●●●○	●●●●
Suitable for heavy soils	●●●○	●●●○	●●●●
Suitable for rocky soils	●●●○	●●●○	●●●●
Suitable for wet soils	●●○○	●●●●	●●○○
Resistance to clogging	●●○○	●●○○	●●○○

● – MAX / ○ – MIN

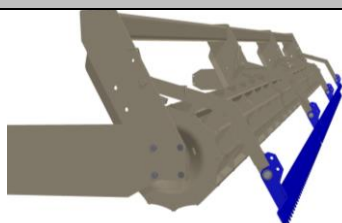
LEVELLING BARS BEHIND SHARES



LEVELLING BAR BEHIND SHARES

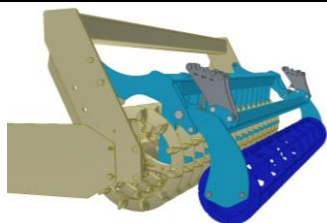
The levelling bar is applied behind the share sections. The bar is used for levelling the loosened soil in front of the rear roller.

FINISHING OPERATIONS



LF - REAR FINISHING LEVELLING BAR

The levelling bar behind the rear roller levels and evenly spreads the loosened soil.



RF - REAR FINISHING ROLLER

The finishing roller actively disintegrates any remaining clods behind the rear roller. Be careful – the finishing roller cannot be used behind the two-row crosskill rollers.

4. MACHINE ASSEMBLY AT THE CUSTOMER

- Always assemble the machine on a flat and reinforced surface.
- Use the Spare Parts Catalogue with 3D views as reference for assembly.
- The operator must perform the assembly according to the instructions of the producer, best in cooperation with the expert servicing technician determined by the producer.
- The operator must secure a functional test of all assembled parts after the completion of the machine assembly.
- The operator must secure that the handling of the machine using lifting equipment during its assembly is in accordance with chapter „C“/p.8.
- Example of a loaded machine, K800PS, on the truck platform



- Unloading the K800PS machine from the truck platform using a forklift truck



5. COMMISSIONING

- Before taking over the machine, test and check, whether damage occurred during transport and whether all parts contained in the bill of delivery were supplied.
- Before commissioning the machine, carefully read this operating manual, especially Chapters A-D page 6-12. Before the first use of the machine, familiarise yourselves with its controls and overall function.
- During work with the machine, observe not only the instructions of this operating manual but also generally valid regulations of work safety, health protection, fire and transport safety, and environmental protection.



- The operator must check the machine before every use (commissioning) from the standpoint of completeness, work safety, work hygiene, fire safety, transport safety, and environmental protection.
- **A MACHINE SHOWING SIGNS OF DAMAGE MUST NOT BE COMMISSIONED!!**
- Aggregation of the machine with the tractor is to be performed on a flat and hardened surface.
- When working on slopes, observe the lowest slope grade of the set **TRACTOR - MACHINE**.
- Before starting the tractor motor, check whether no person or animal is in the working space of the set and push the warning sound signal.
- The operator is responsible for the safety and all damage caused by the operation of the tractor and the connected machine.
- The operator is obliged to adhere to the technical and safety regulations of the machine determined by the producer when working.
- The operator must raise the machine when turning at the plough turning end, i.e. the working parts must not be in the ground.
- The operator is obliged to observe the prescribed working depths and speeds stated in the manual in table page 5 when working with the machine.
- The operator is obliged to lower the machine to the ground and secure the set against movement before leaving the tractor cabin.
- **When connecting, no persons may stay in the space between the tractor and the machine. Exercise utmost caution!**



5.1 AGREGATION TO A TRACTOR

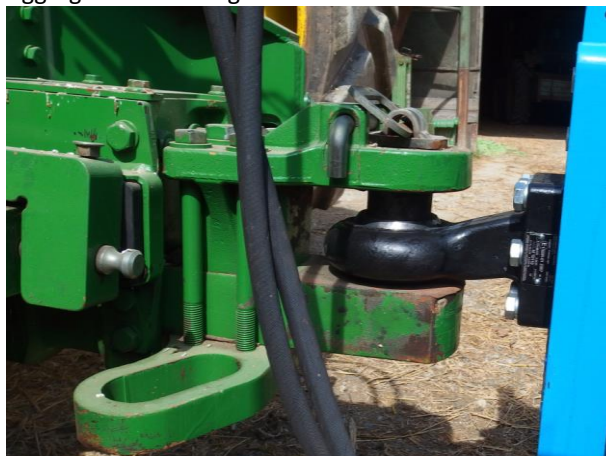
- The machine can be connected only to a tractor, whose curb weight is identical or higher than the overall weight of the connected machine.
- The machine operator must observe all generally valid regulations of work safety, health protection, fire safety, and environmental protection.
- The operator may connect the machine exclusively to a tractor that is equipped with a rear three-point hitch or lower agro tow bar and a functional undamaged hydraulic system.
- **The controlling distributors in the tractor must be secured or blocked when the machine is in the transport position or when the machine is not in use to prevent accidental or third-party (children, passengers) caused movement of the hydraulics.**
- Aggregate the machine with the tractor using type and dimensionally consistent components corresponding to the output requirements. For example, do not aggregate a machine with $\varnothing 50\text{mm}$ pulling loop to $\varnothing 40\text{mm}$ pin!
- The design allows selecting from several versions of aggregation to the tractor.



Aggregation to the rear TBZ hitch



Aggregation to the agro tow bar



5.2 HYDRAULIC OF THE MACHINE

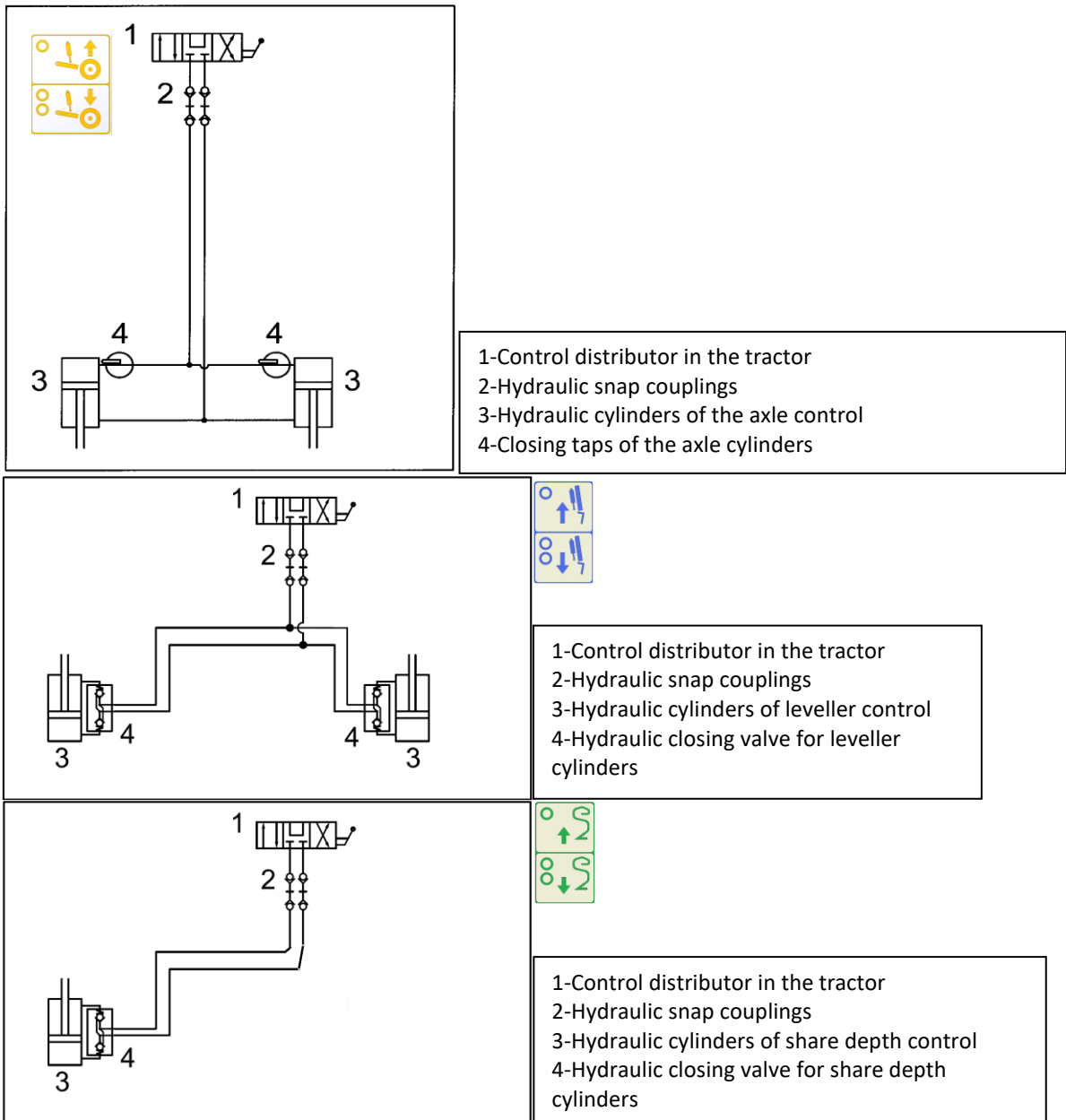


Parts of the hydraulic system of the machine, which are under pressure, are forbidden to disassemble. Hydraulic oil that penetrates the skin under high pressure causes severe injuries. In case of injury, seek a physician immediately.

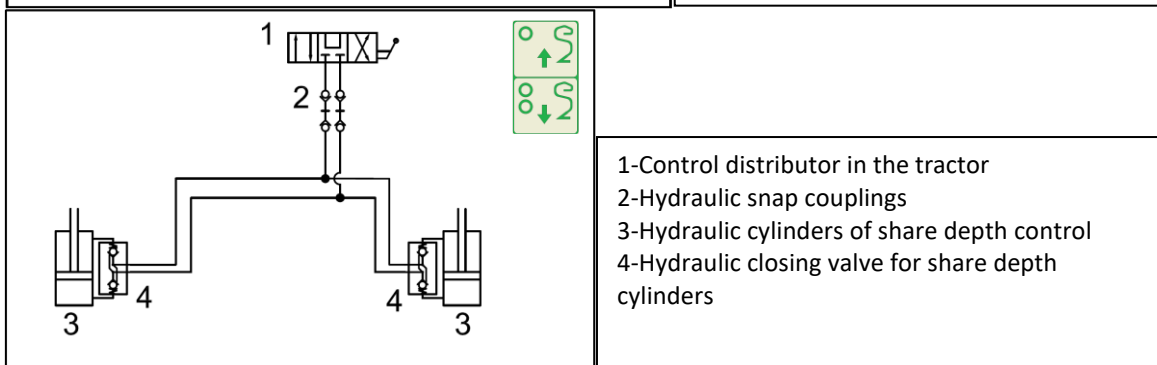
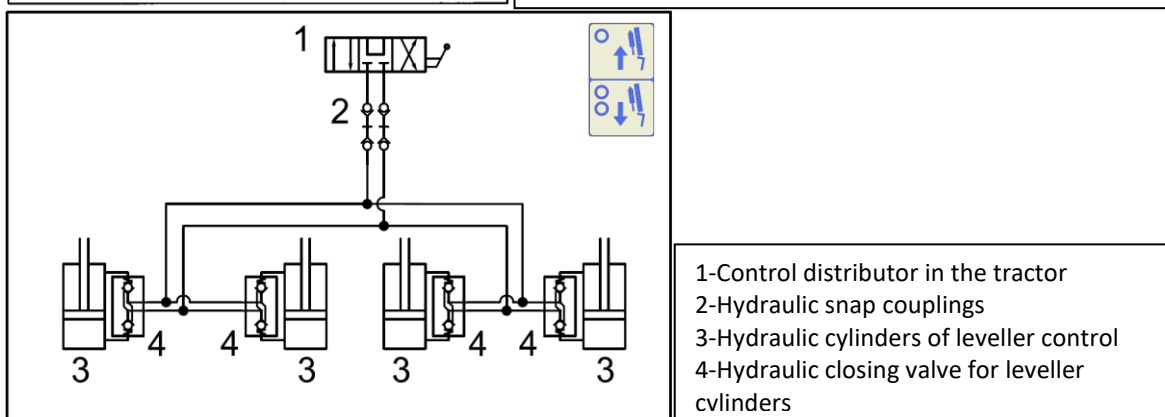
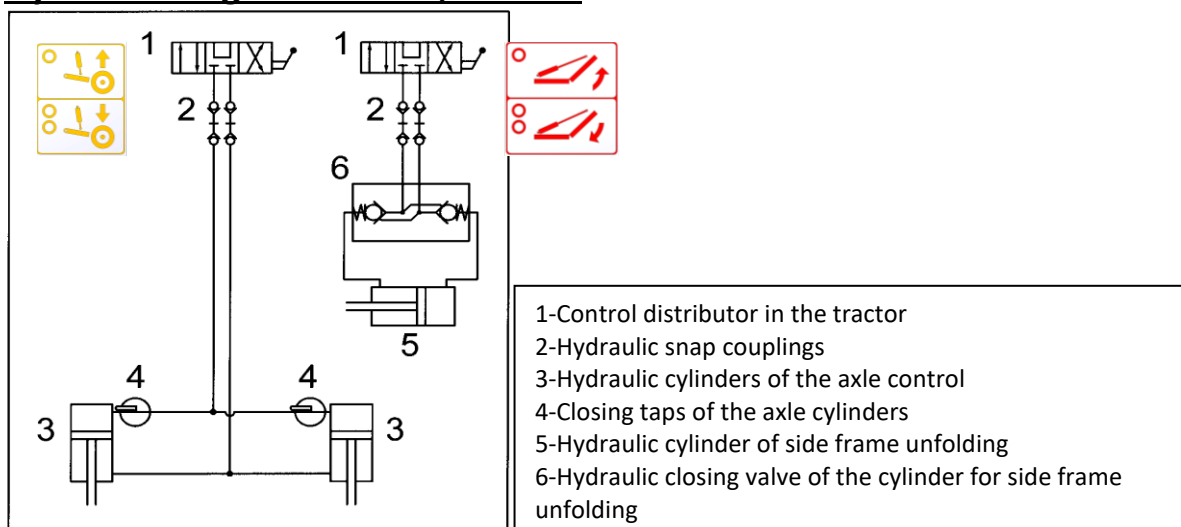
- Connect the hydraulics only when the hydraulic circuits of the machine and the tractor (aggregate) are in a pressure-less condition.
- The hydraulic system is under high pressure. Regularly check for leaks and immediately remove obvious damage of all lines, hoses, and pipe unions.
- When seeking and removing leaks, use only the suitable tools.
- For connecting the hydraulic system of the machine to the tractor, use the plug (on the machine) and the socket (on the tractor) of the quick-couplers of the same type.
- For simplification, the hydraulic circuits are marked by different colours.

	STANDARD EQUIPMENT OF THE MACHINE	HYDRAULIC CIRCUIT FOR SIDE FRAME FOLDING - ONE RED RING Pressurizing this branch of the circuit folds side frames into the transport position.
		HYDRAULIC CIRCUIT FOR SIDE FRAME FOLDING - TWO RED RINGS Pressurizing this branch of the circuit unfolds side frames into the working position.
		HYDRAULIC CIRCUIT FOR AXLE CONTROL - ONE YELLOW RING Pressurizing this branch of the circuit brings the axle into the position when the machine rides on the working rollers and the axle wheels are in the air.
		HYDRAULIC CIRCUIT FOR AXLE CONTROL - TWO RED RINGS Pressurizing this branch of the circuit lifts the transport axle into the transport position, i.e. the machine rides on the axle tyres.
	OPTIONAL EQUIPMENT OF THE MACHINE	HYDRAULIC CIRCUIT FOR FRONT LEVELLER POSITION CONTROL - ONE BLUE RING Pressurizing this branch of the circuit brings the leveller up from the surface.
		HYDRAULIC CIRCUIT FOR FRONT LEVELLER POSITION CONTROL - TWO BLUE RINGS Pressurizing this branch of the circuit recesses the leveller to the surface.
		HYDRAULIC CIRCUIT FOR SHARE WORKING DEPTH CONTROL - ONE GREEN RING Pressurizing this branch of the circuit brings shares out of the processed profile.
		HYDRAULIC CIRCUIT FOR SHARE WORKING DEPTH CONTROL - TWO GREEN RINGS Pressurizing this branch of the circuit recesses shares into the processed profile.
		HYDRAULIC CIRCUIT FOR DRILL MACHINE FAN FLUID MOTOR DRIVE - ONE BLACK RING The Dn20 circuit branch is used for draining oil directly into the oil tank of the tractor. The maximum permissible pressure in the waste hose is 5 bar ; higher pressure pushes the shaft sealing out which damages the fluid motor fan. If no suitable outlet into the tank is not installed in the tractor, consult the manufacturer (dealer) of the tractor who will provide information about the possibilities of a free waste end piece.
		HYDRAULIC CIRCUIT FOR DRILL MACHINE FAN FLUID MOTOR DRIVE - TWO BLACK RINGS The Dn12 circuit branch is connected to the circuit with oil delivery priority. Pressurizing this branch of the circuit delivers oil to the fluid motor drive of the fan. The maximum permissible pressure is 130 bar, maximum flow rate is 40 l/min.

Hydraulic diagram K300P



Hydraulic diagram K400PS, K450PS



HYDRAULIC OIL SPECIFICATIONS

The hydraulic circuit of the machine is filled with oil at the factory:

Performance level: API GL 5; SAE 10W-30; SAE 80

Manufacturer's specification: ALLISON C4; CATERPILLAR TO-4; VOLVO VCE WB 101; 97303 JONH DEERE 20C/20D ZF TE-ML 03E/05F/06E/06F/06K/17E/21F; PARKER

DENISON HF-0/HF-1/HF-2 New HOLLAND NH 420A/410B MASSEY FERGUSON M1135/M1141/M1143/ M1145 KUBOTA UDT Fluid CASE IH MS-1204/MS-

1206/ MS-1207/MS-1209 FORD M2C134D M2C86B/C CNH MAT 3525/ MAT3526 SPERRY VICKERS/EATON M2950S, I-280-S SAUER

SUNDSTRAND(DANFOSS) Hydro Static Trans fluid; CASE CNH MAT 3540(CVT), Claas(CVT), AGCO CVT; ML200, Valtra G2-10(XT-60+)

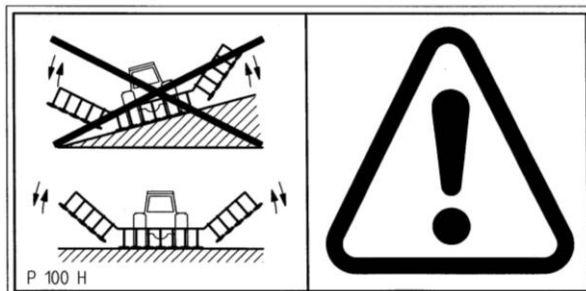
5.3 FOLDING AND UNFOLDING THE MACHINE



When executing any of the hydraulic movements, slow down the moving parts of the machine before position stop by choking a relevant valve on the tractor control!



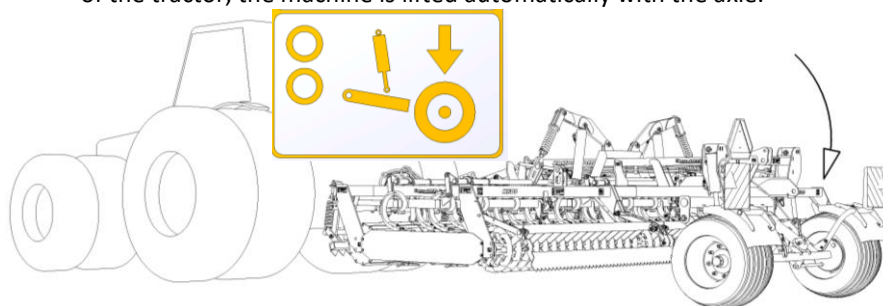
- The hydraulics for the folding and unfolding must be connected to the double-action hydraulic circuit.
- The operator must ensure that there are no people or animals within the reach of the side frames during their unfolding or folding (i.e. in the place of their position stop) and that no one puts their fingers or other body parts into the area of the joints.
- Execute unfolding or folding on flat and solid surfaces or crosswise to a slope.



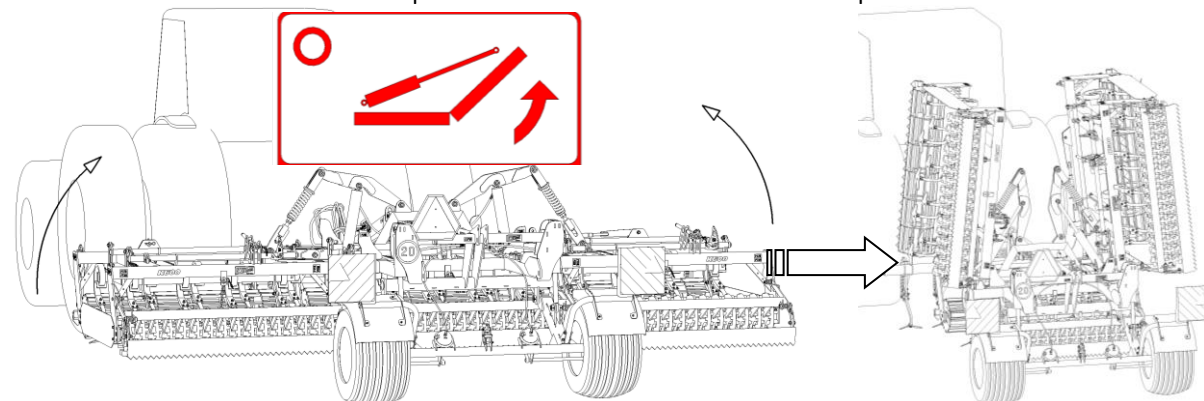
- Unfold or fold the machine only when it is lifted on the axle.
- Remove any soil stuck on the folding places as it may disturb the function and cause damage to the mechanics.
- During folding or unfolding, check the side frames and have them continuously fold into the end position to the stoppers.

5.3.1 FOLDING THE MACHINE INTO THE TRANSPORT POSITION

- Lift the machine on the axle by pressurizing the hydraulic circuit marked with two yellow rings. Continue lifting until the piston-rod is drawn out to the end position. At the same time, lift the rear arms of the tractor, if the machine is aggregated in this way. If the machine is aggregated to the fixed bottom hitch of the tractor, the machine is lifted automatically with the axle.

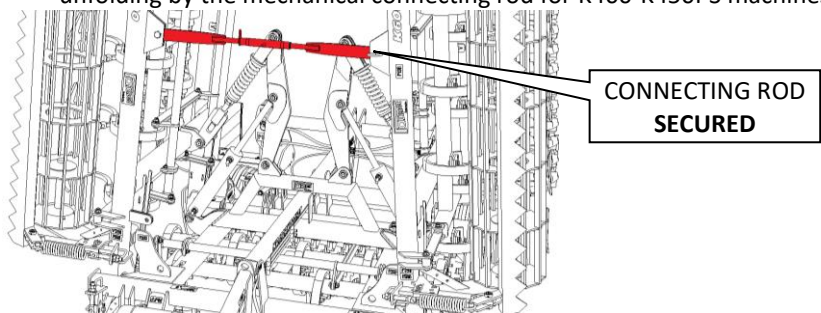


- Clean the machine from impurities.
- In K400PS-450PS pressurizing the hydraulic circuit marked with one red ring continuously folds the side frames into the transport position. The machine is factory-set so that the side frames rest on the stops of the central frame when the piston-rod is drawn out to the maximum position.

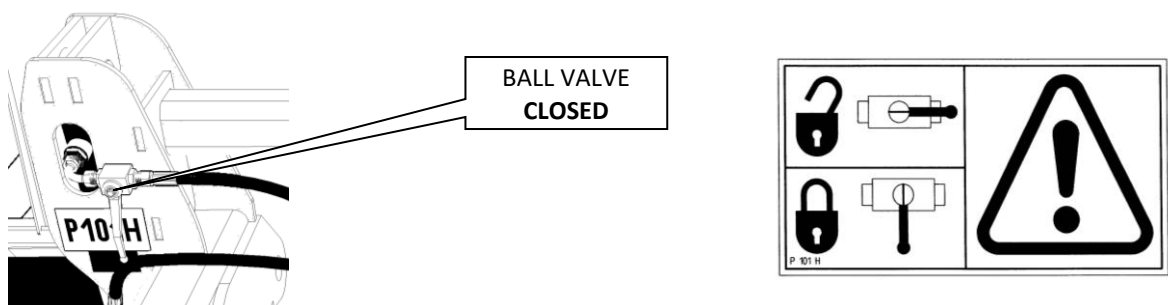


- Block or close the circuit.

- When the machine is folded into the transport position, you have to secure the side frames against unfolding by the mechanical connecting rod for K400-K450PS machines.

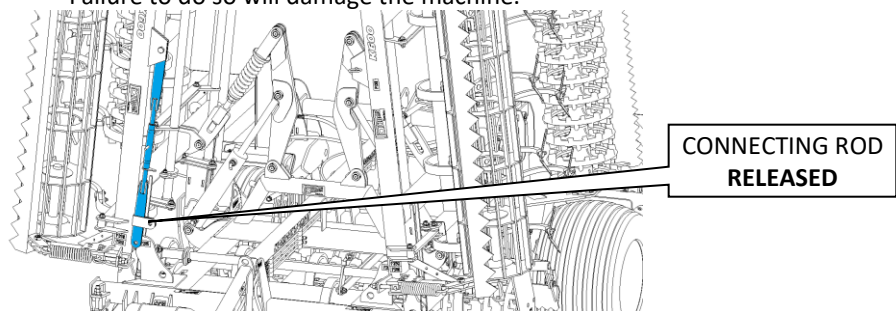


- When the folding of the machine into the transport position is complete, the axle in the transport position must be secured by setting the axle ball valves into the “closed” position.

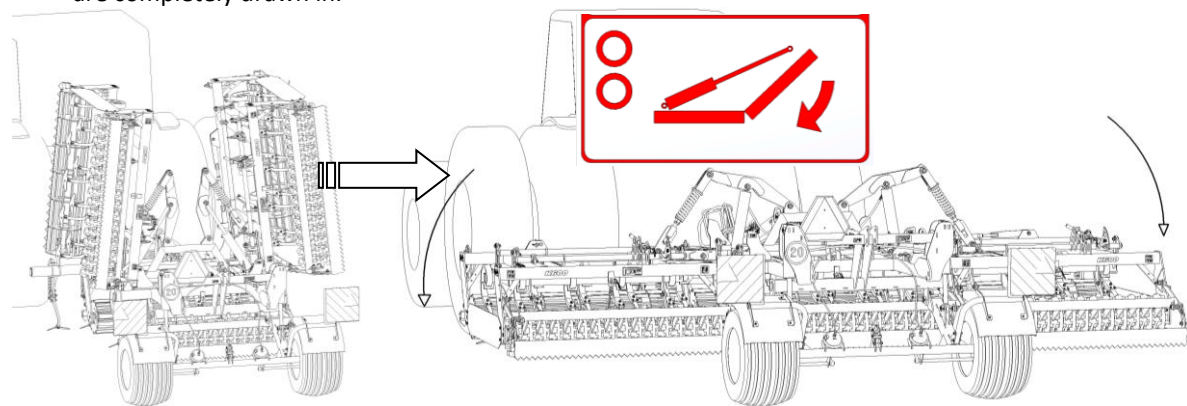


5.3.2 UNFOLDING THE MACHINE INTO THE WORKING POSITION

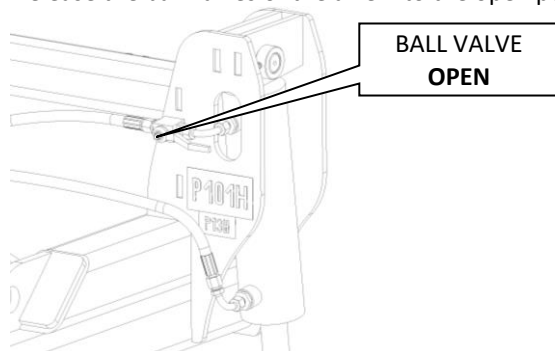
- Before starting to unfold the K400-450PS machines, you must release the mechanical connecting rod. Failure to do so will damage the machine.



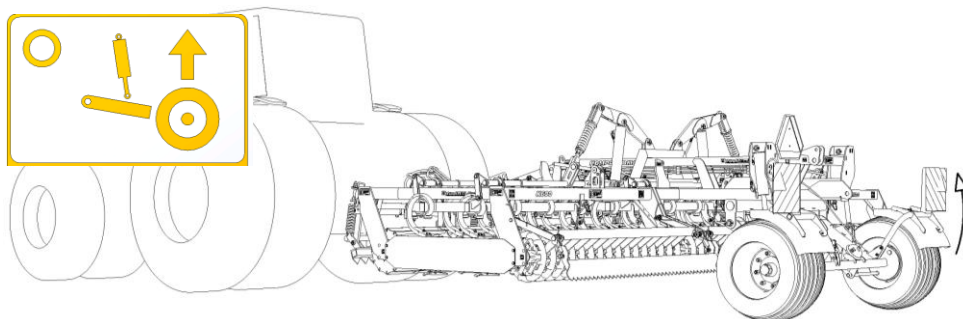
- Unfold the side frames continuously into the working position by pressurizing the hydraulic circuit marked with two red rings. Pressurize the circuit until the machine is fully unfolded and the piston-rods are completely drawn in.



- Release the ball valves of the axle into the open position.



- Lower the machine down to the ground by pressurizing the hydraulic circuit marked with one yellow ring. Continue until the piston-rod is completely drawn in and the travelling wheels are lifted above the ground. The machine is standing on its working parts (rollers or shares). At the same time, lower the rear arms of the tractor, if the machine is aggregated in this way. If the machine is aggregated to the fixed bottom hitch of the tractor, the machine is lifted automatically with the axle. If the machine is aggregated to the fixed bottom hitch of the tractor, the machine is lowered automatically with the axle control.



- Block or close the circuits.

6. MACHINE TRANSPORT ON ROADS

- According to Chapter 5.3.1, the machine must be put into the transport position, i.e. the machine is folded, the side frames are secured against unfolding and the ball valves of the transport axle are secured.
- The machines are equipped with reflective plates in the front and in the rear that outline the exterior profile. The operator shall keep the plates clean and free from any damage.
- The operator must clean the machine of any dirt to prevent the contamination of the roads before setting off.
- The operator must prepare the machine for the transportation so that it meets the valid regulations, directives and ordinances for road transportation.
- The operator is obliged to pay increased attention during transport on roads, due to the transport dimensions of the machine.
- The operator must observe the valid regulations for transport on roads (laws, decrees) after connecting the machine to the tractor, for reason of a change of the axle load. The driving properties of the set also change depending on the terrain nature, adapt the manner of driving to these conditions.
- The operator is obliged to present the machine certificate of roadworthiness as needed, according to the valid regulations for road traffic (decree, law) (only in the Czech Republic).
- The operator is obliged to secure sufficient outlook during reversing from his position of the tractor driver. In case of insufficient outlook, the operator is obliged to call a competent and informed person.
- If the machine is aggregated behind the tractor with the rear arms of the three-point hitch, the operator must secure the three-point hitch rear arms of the tractor in the transport position when transporting the machine on roads, i.e. prevent sudden drop of the arms by the hydraulic shoulder control lever. At the same time, the arms of the rear TPH of the tractor must be secured against side swinging.
- During machine transport on roads, the operator must observe the valid laws and decrees that deal with this topic and which specify the relationships of the tractor axle load depending on transport speed.
- **IT IS FORBIDDEN TO TRANSPORT THE MACHINE ON ROADS WHEN VISIBILITY DISTANCE IS REDUCED.**



Checking the nuts on the transport axle

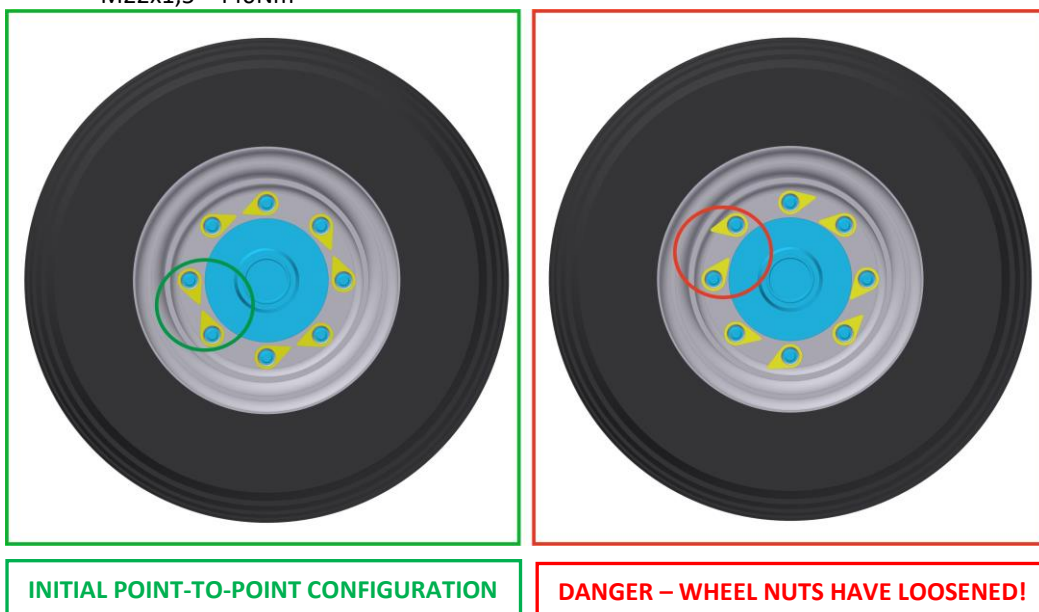
- Use the plastic arrow “Check Point” to check for loose nuts. It promptly shows the condition of the nuts, whether they are loose or not.
- Always check the Check Points before driving.
- When the arrows are not facing one another, the nuts have to be tightened to the required torque and the Check Point arrows have to point against one another as shown in the green picture.

Torque for the axle nuts:

M18x1,5 - 265Nm

M20x1,5 - 343Nm

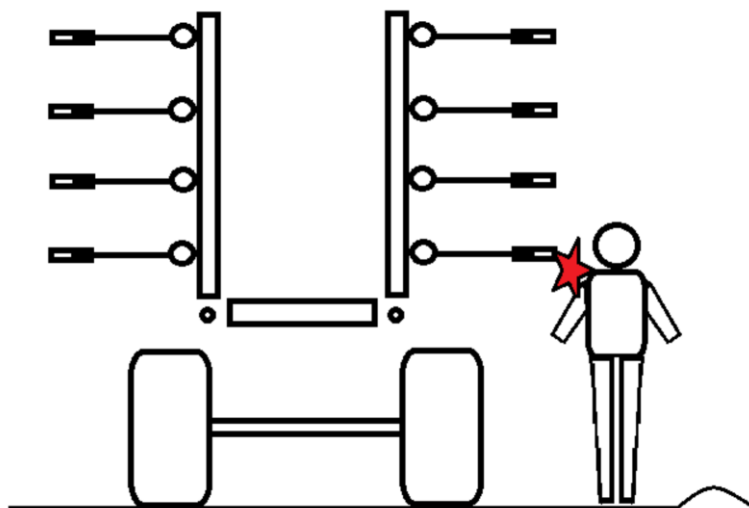
M22x1,5 - 440Nm



6.1 SHARP MACHINE PROJECTION



- The machine contains sharp structural projections.
- **It is prohibited to operate and transport the machine on roads when visibility is reduced!!** - Persons or objects, or other road traffic participants could get caught.
- **The machine operator must be extra cautious when driving on roads and consider the width of the machine and safe distance from persons, vehicles and objects, or other road traffic participants!!**



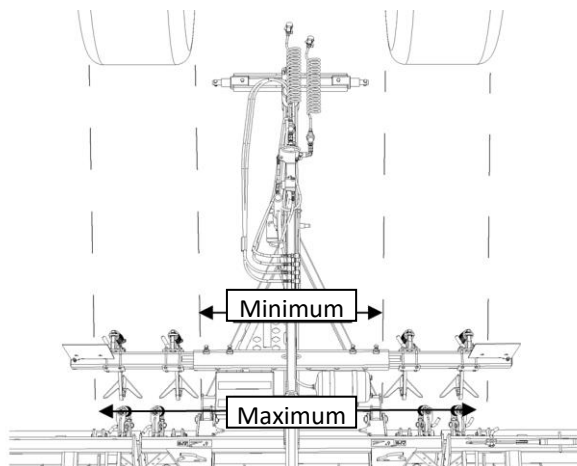
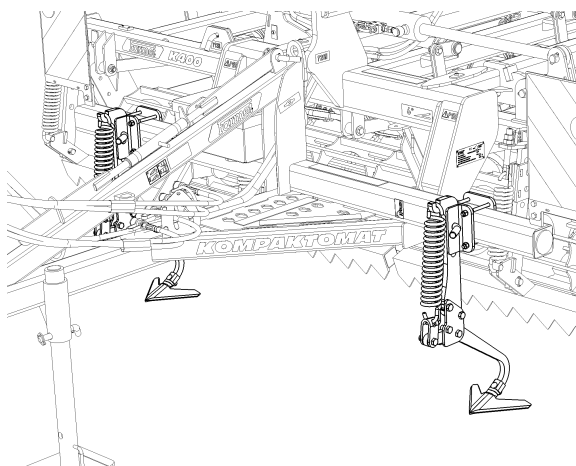
7. ADJUSTING THE WORKING PARTS OF THE MACHINE

- The position of the following individual working parts on the machine can be adjusted.
 - Position and depth of the track cultivators
 - Height and down pressure of the front leveller
 - Depth of the shares
 - Position of the leveller behind the shares (only for sweeps)
 - Angle of the rear finishing levelling bar
- The control of the front leveller position and the share depth setting can be either mechanical, or automatic from the driver's position.

7.1 ADJUSTING THE POSITION AND DEPTH OF THE TRACK

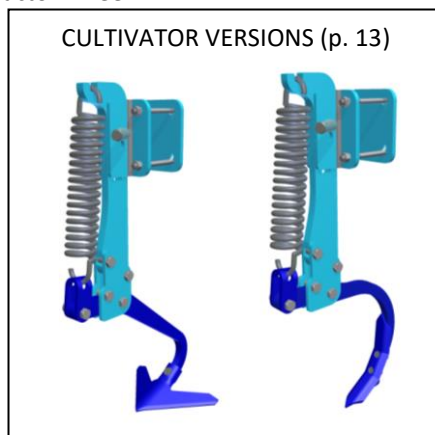
CULTIVATORS

- Correct position of the track cultivator affects the resulting quality of processing.
- The tractor track cultivator position can be adjusted either by height or length, as needed.
- When adjusting the track cultivator position, always observe generally valid labour safety regulations.
- The track cultivators are located on the beams of the pulling fork. The cultivator can be moved on the beam so that it loosens the compacted tractor wheel tracks.

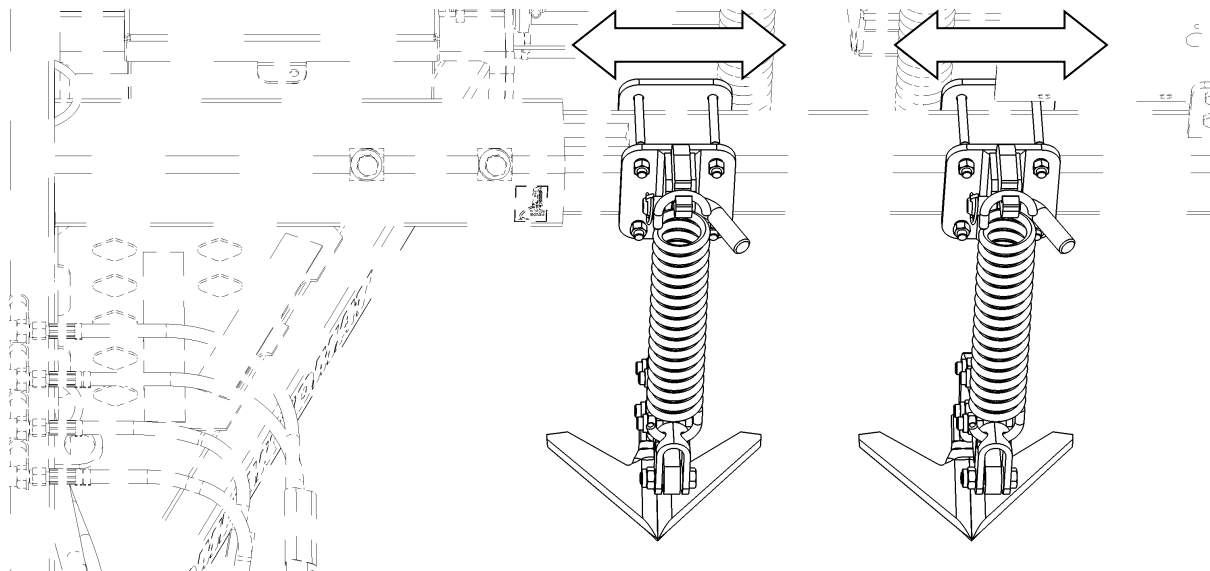


	K300P-K450PS
Minimum cultivator setting width (mm)	1250
Maximum cultivator setting width (mm)	2400

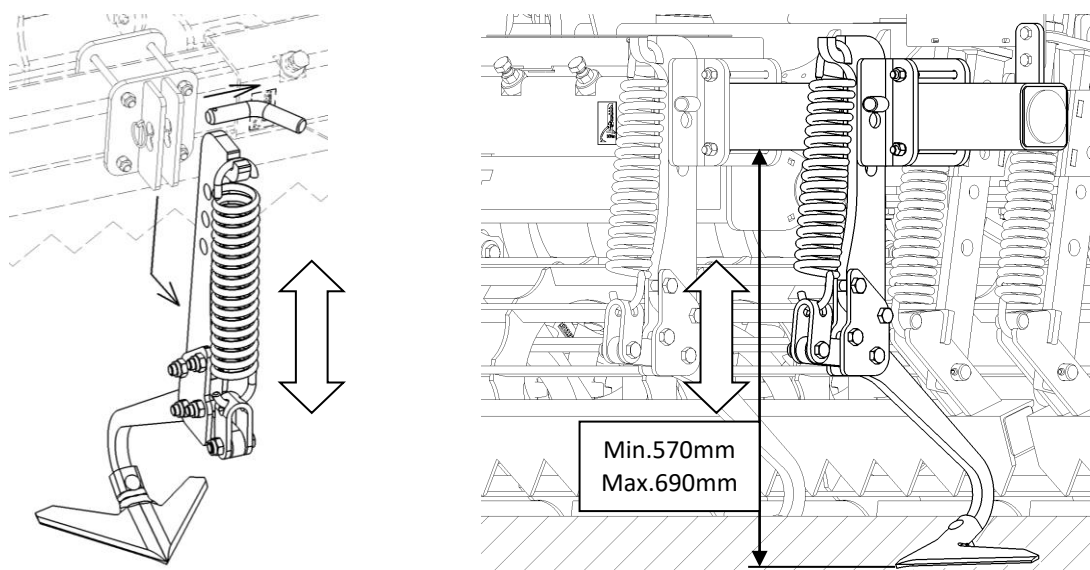
- K400PS-K450PS are equipped with a fixed pulling fork beam for the attachment of the track cultivators with an invariable length of 2,400mm. Standardly, K400PS-K450PS are equipped with two cultivators, i.e. one cultivator behind each tractor wheel. Optionally, the number of cultivators can be increased to 2 – 3 cultivators behind the tractor wheel.



- Lengthwise setting of the cultivators is performed by releasing the nuts of the screws and moving the cultivators along the beam into the position behind the tractor wheels so that they loosen the compacted tractor tracks. Lengthwise setting of the cultivators can only be used up to the cultivator beam width of 2400 mm.

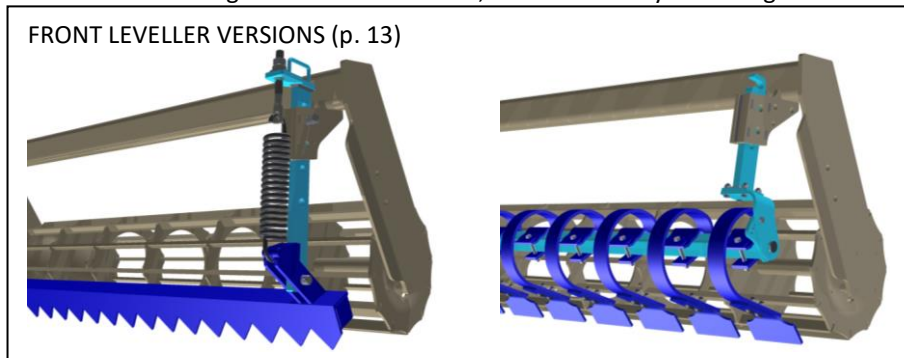


- Setting the depth of the cultivator is performed by removing the pin and moving the cultivator in the holder. Before setting the depth of the cultivators, set the machine in the position when the cultivators are not loaded.



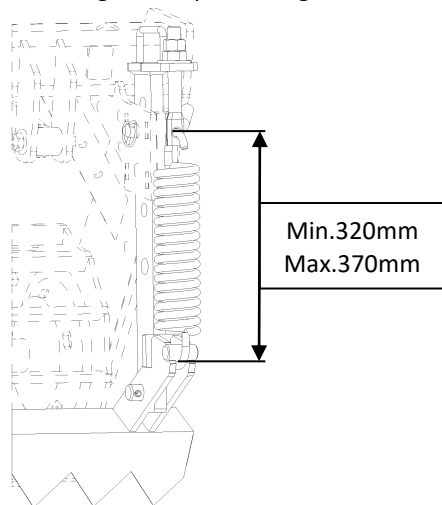
7.2 ADJUSTING THE SPRING-MOUNTED FRONT LEVELLER

- Correct position of the front leveller affects the resulting quality of processing.
- When adjusting the position of the levellers, always observe generally valid labour safety regulations.
- Perform the adjustment of front levellers when the machine is unfolded in the working position and standing on the working sections at the same time.
- The height of the front leveller is adjusted in relation to the size of clods and curvature of the field so that the leveller is about 3 to 5 cm above the level of the working rollers when the machine is lowered to the working rollers. When needed, the leveller may be set higher or lower.

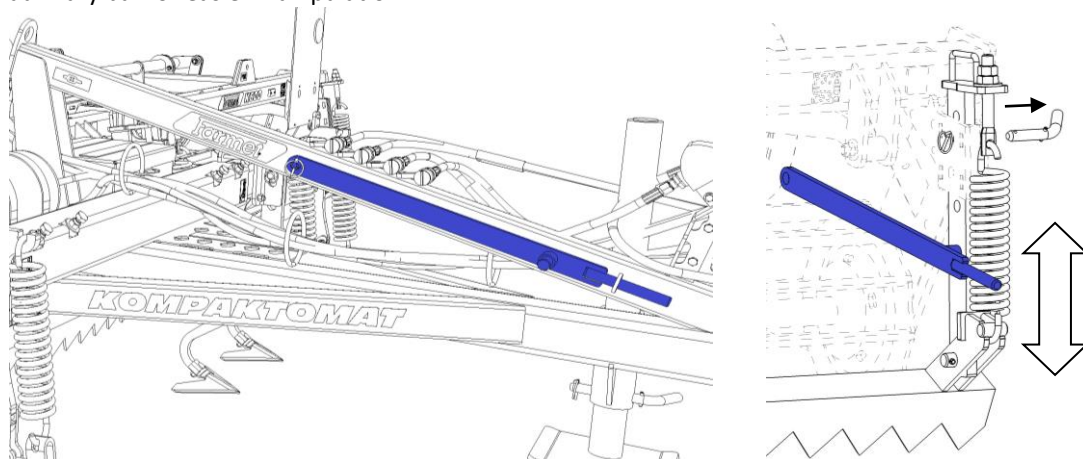


FL – Front Fixed Serrated Levelling Bar

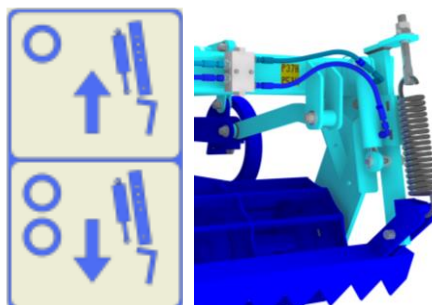
- The automatic release of the leveller is protected by a draw spring. The spring is factory-set to the length of 340mm; however, it is possible to change the preloading as needed. The spring preloading is selected according to the character of the field (size of clods in the field). The bigger the clods are, the higher the preloading needs to be.



- Standardly, the levelling bar is adjusted mechanically and manually. The machine is equipped with an auxiliary bar for easier manipulation.

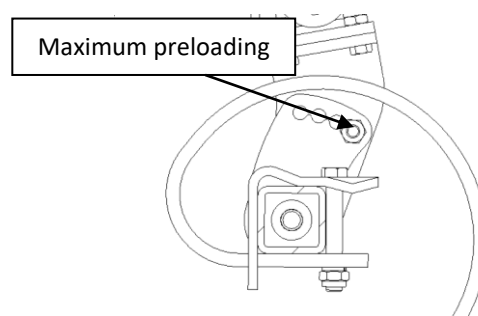
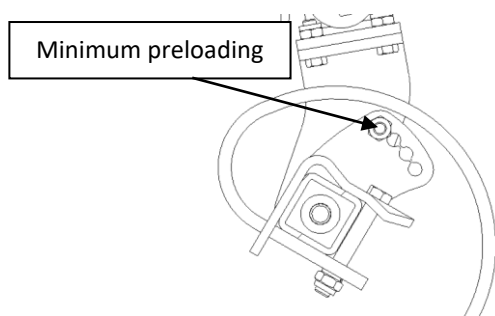
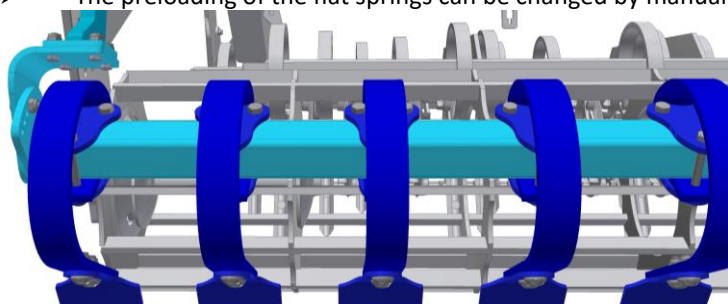


- Optionally, it is possible to adjust the levelling bar using an independent hydraulic circuit from the driver's position. Marking of the independent hydraulic circuit (p. 18), required parameters for the hydraulic circuit (p. 5).
- The distribution of the hydraulic circuit includes elements providing even movement of all levelling bars. Therefore, do not limit the oil flow on the control panel of the circuit. The flow rate values should range between 75 and 100% capacity.
- Without the manufacturer's prior consent, do not interfere with the hydraulic circuit components in any way!

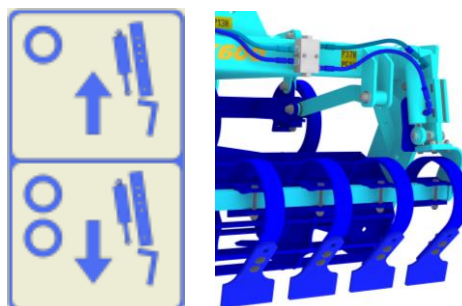


L – Front Levelling Paddle Bar with Flexible Segments

- The automatic release of the leveller segments is secured by a flat spring of each segment.
- The preloading of the flat springs can be changed by manually turning the whole row of segments.



- Optionally, it is possible to adjust the levelling bar using an independent hydraulic circuit from the driver's position. Marking of the independent hydraulic circuit (p. 18), required parameters for the hydraulic circuit (p. 5).
- The distribution of the hydraulic circuit includes elements providing even movement of all levelling bars. Therefore, do not limit the oil flow on the control panel of the circuit. The flow rate values should range between 75 and 100% capacity.
- Without the manufacturer's prior consent, do not interfere with the hydraulic circuit components in any way!

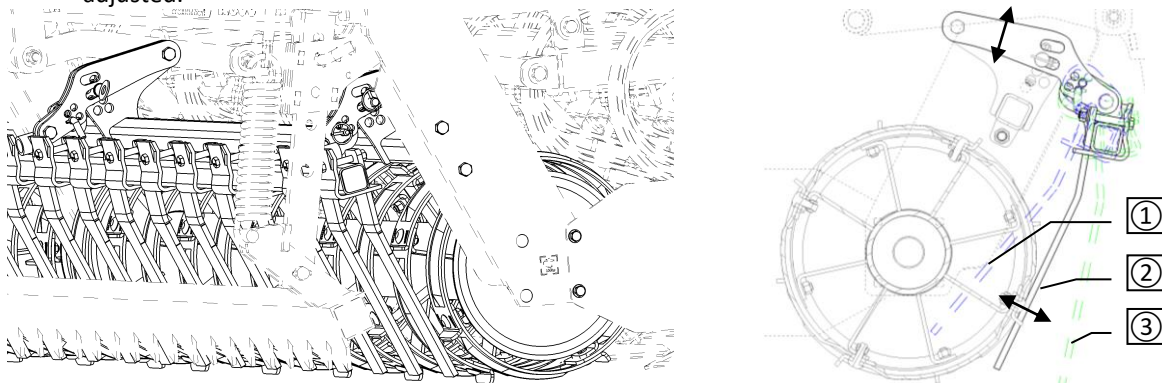


7.3 ADJUSTING THE COMPONENTS OF WORKING ROLLERS

- The design of the special roller versions require adjustment in order to provide quality soil processing.
- Always adjust the rollers when the machine is in standstill and observe generally valid labour safety regulations.

7.3.1 RR – RING ROLLERS

- To keep the quality of soil processing, the position of the digital deflectors against the ring roller must be adjusted.

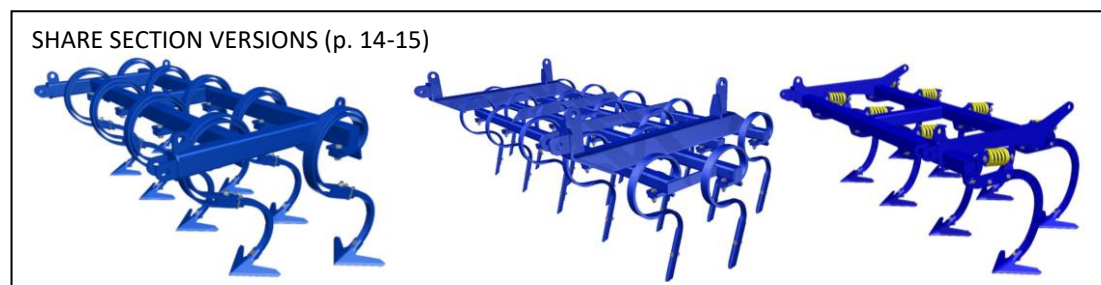


- Adjusting the position of the deflector is always individual. It depends on the soil and climatic conditions.
 - When set in position ①, the processed soil is spread and thoroughly mixed with the turning segments of the roller.
 - When set in position ②, the processed soil is spread less and not mixed as thoroughly.
 - When set in position ③, the processed soil is not spread and it is compacted with the roller segments. Roller tracks might be visible.

7.4 ADJUSTING THE DEPTH OF THE SHARE SECTION



- **When adjusting the depth of the shares, always exercise extra caution as the working roller might turn.**
- Always adjust the depth of the shares when the machine is in standstill and unfolded into the working position.
- The machine must be lifted on the axle and in the arms of the tractor so that it does not stand on the shares.
- The working depth of the shares is set in relation to the crop to be planted.
 - Beetroot...2-3 cm
 - Rapeseed ...3-5 cm
 - Wheat, barley, oats ...5-8 cm

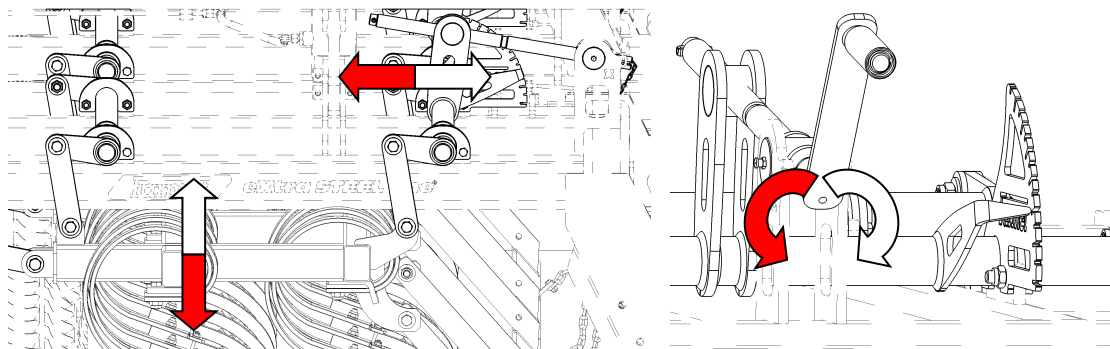


7.4.1 MCD - MECHANICAL DEPTH SETTING

- Standardly, the depth is set mechanically by turning the handle manually. Each working section of the machine is controlled individually.

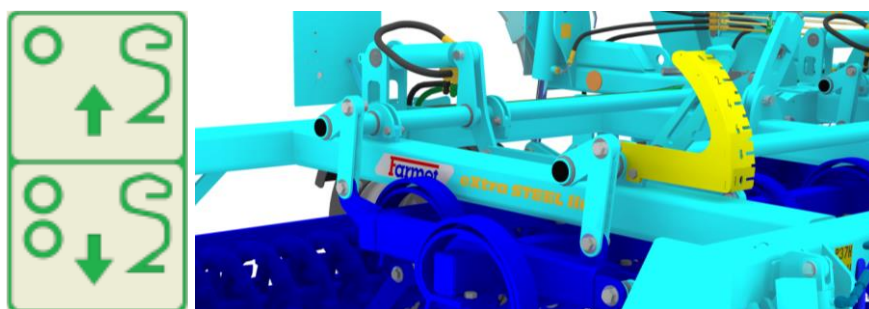
Machine	Number section (pc)
K300P	1
K400PS, K450PS	2

- The depth setting is increased by turning the handle **anticlockwise** – **red arrows** in the picture.
- The depth setting is decreased by turning the handle **clockwise** – **white arrows** in the picture.
- There is an indicator near the handle that shows that all the sections are set at the same depth.



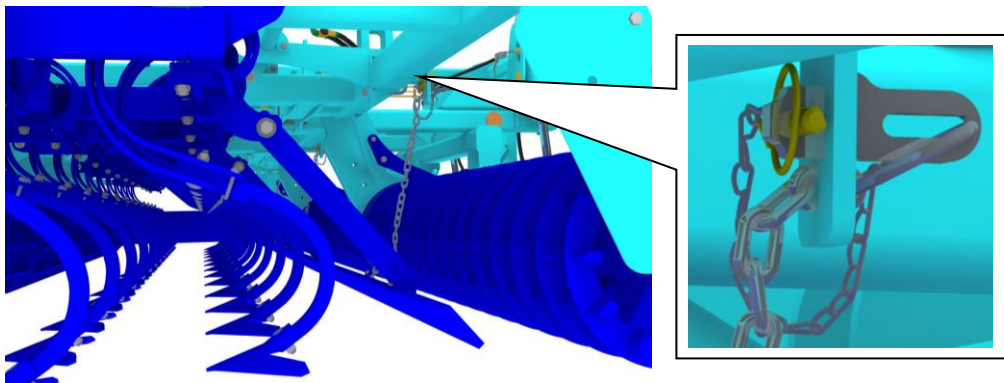
7.4.2 HD - HYDRAULIC DEPTH SETTING

- Optionally, it is possible to set the share depth using an independent hydraulic circuit from the driver's position. Marking of the independent hydraulic circuit (p. 18), required parameters for the hydraulic circuit (p. 5).
- There are indicators located in spots visible from the tractor that show that all the sections are set at the same depth.
- The distribution of the hydraulic circuit includes elements providing even movement of all levelling bars. Therefore, do not limit the oil flow on the control panel of the circuit. The flow rate values should range between 75 and 100% capacity.
- Without the manufacturer's prior consent, do not interfere with the hydraulic circuit components in any way!

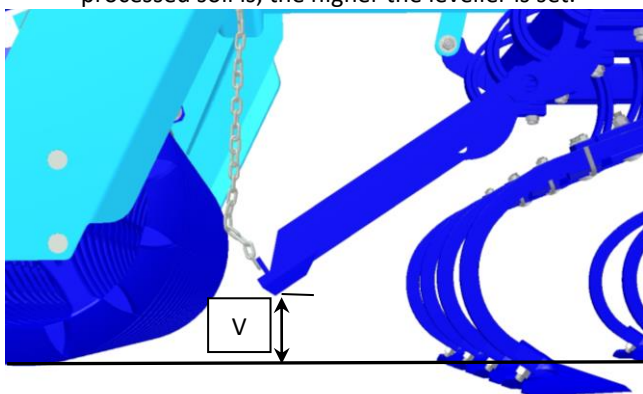


7.5 ADJUSTING THE LEVELLER HEIGHT BEHIND SHARES

- Perform the adjustment of the levellers when the machine is unfolded in the working position and standing still.
- The machine must rest on the working sections.
- When adjusting the position of the levellers, always observe generally valid labour safety regulations.
- The leveller behind the shares is used for even spreading of the loosened soil behind the rear row of sweeps in front of the rear roller.
- Correct position of the leveller affects the resulting quality of processing.
- The position of the leveller is secured by inserting a chain loop into the hole on the supporting frame. The chain is secured by inserting a companion part and a safety pin.



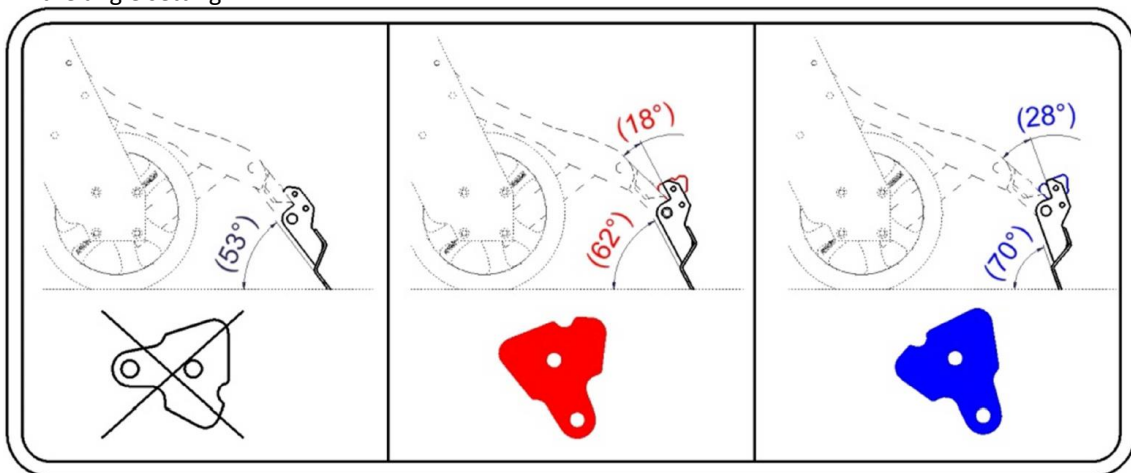
- Set the height of the leveller "V" according to the current soil conditions. Generally, the deeper the processed soil is, the higher the leveller is set.



7.6 SETTING THE FINISHING SECTION FEATURES

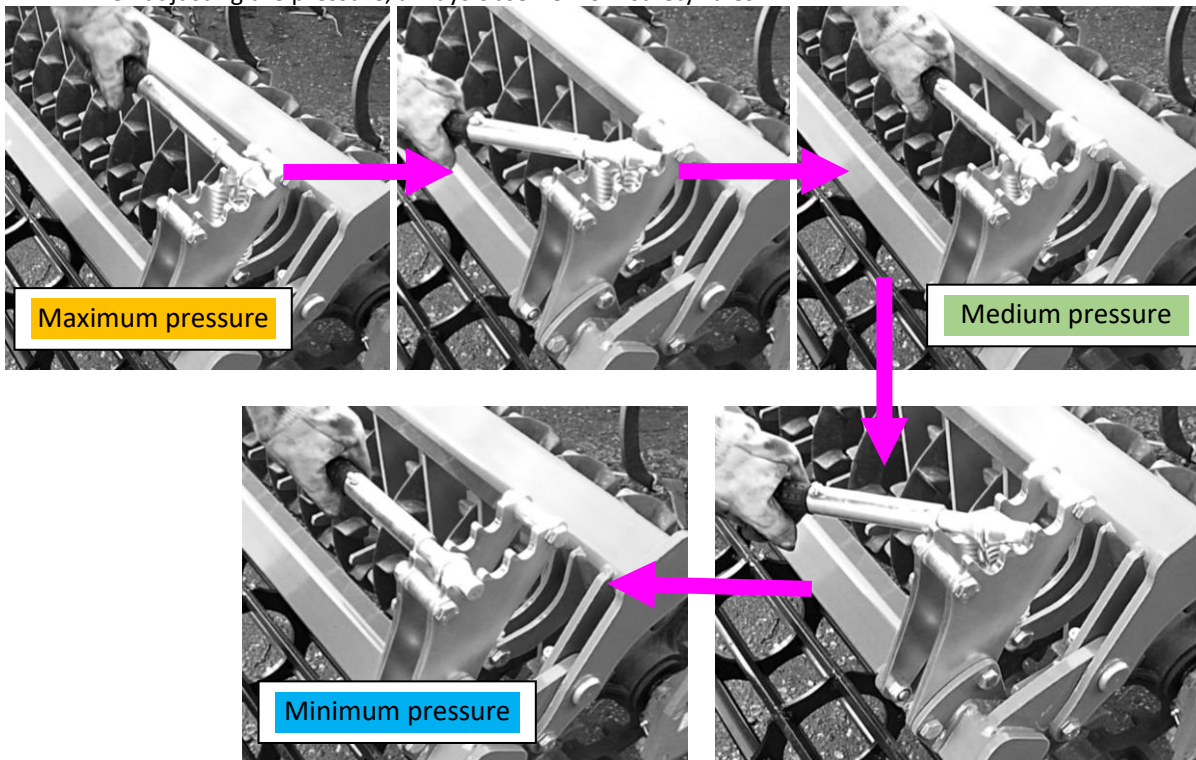
7.6.1 SETTING THE ANGLE OF THE REAR LEVELLER

- Correct angle of the leveller affects the resulting quality of processing.
- When installing the leveller stops, always observe generally valid labour safety regulations.
- The standard angle of the leveller (without stops) is 53°. The angle can be adjusted by installing the stops. The stops are revolving and there are two versions available. The notch on the stop is used for easier identification of the angle setting.



7.6.2 SETTING THE PRESSURE OF THE FINISHING ROLLER

- The pressure mechanism of the finishing roller allows you to adjust the traction of the traction spring in three positions.
- To change the traction, use the level provided which you fix to the spring seating segment and shift along the rack with a swaying movement.
- When adjusting the pressure, always observe work safety rules.



8. AGGREGATION WITH OTHER EQUIPMENT

- Semi-carried Kompaktomat machines can be optionally equipped with a three-point hitch TPH 2 for aggregation with other equipment.
- Other equipment means carried equipment, such as crumbling rollers with cross-kill wheels, pneumatic drill machine or mechanical drill machine.
- Only machines with the same working coverage as the Kompaktomat can be aggregated.
- When aggregating Kompaktomat and additional machine, always observe safety regulations and exercise increased caution.
- Perform aggregation on a flat and reinforced surface.
- Aggregation requires the assistance of another trained worker who will help you.
- It is only allowed to enter the area between the Kompaktomat and additional machine when both machines are in standstill.



➤ **Only equipment that allows continuous tracing of the terrain can be aggregated with Kompaktomat. It is not possible to aggregate, for example, a drill machine without travelling wheels.**

➤ The aggregated machine changes the load on the Kompaktomat axle and the properties of driving, therefore exercise increased caution when driving with the set of Kompaktomat and aggregated machine.

➤ When driving such a set, always observe valid road traffic regulations.



➤ When working with the set of TRACTOR ⇒ KOMPAKTOMAT ⇒ OTHER EQUIPMENT, always observe the labour safety rules for working with Kompaktomat and another machine as well as the rules of safe road transportation.

- Example of aggregation of K1000PS with DV1000 crumbling rollers



- Example of aggregation of K600PS with Monsum ME600 drill machine



- When Kompaktomat is aggregated with another machine, the load of the Kompaktomat axle changes. Only additional machines that do not overload the transport axle of Kompaktomat can be aggregated. Follow the table below.

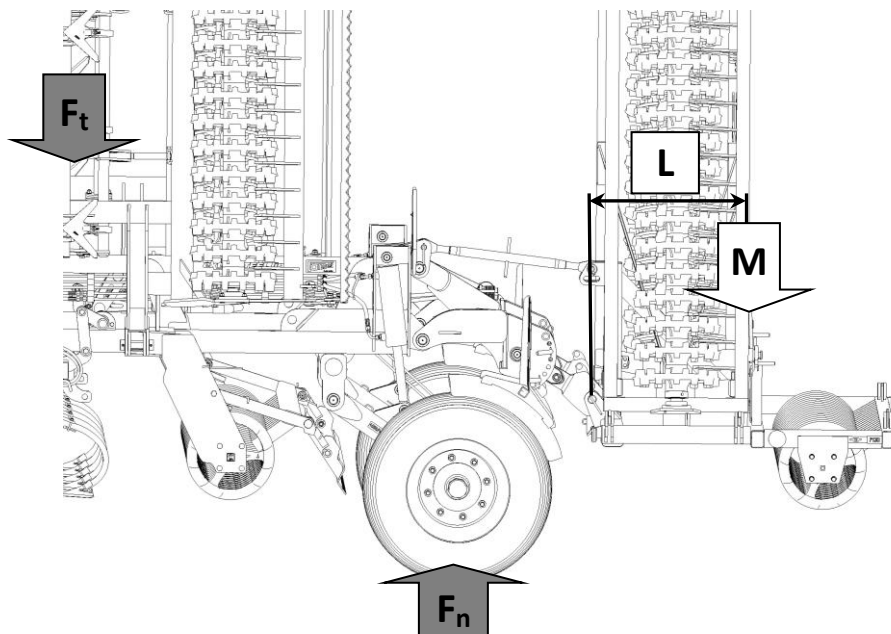
Maximum Permissible Weight of Another Machine for Aggregation with Kompaktomat			
	K300P	K400PS	K450PS
F_t (kg)	2360	3010	3340
F_n (kg)		5950	
K1 (mm)		3149	
K2 (mm)		5083	
Centre of gravity	Maximum weight of equipment "M" (kg) at transport speed of 25 km/hour		
L= 1000 mm	3750	3414	3243
L= 1300 mm	3574	3253	3090
L= 1500 mm	3465	3154	2997
L= 1700 mm	3363	3061	2908
L= 2000 mm	3221	2932	2785

K1...dimension invariable no.1; **K2**...dimension invariable no.2;

F_t...weight of the machine in the centre of gravity; **F_n**...maximum permissible axle load

- The calculated value (weight) "M" will help you check the possibility of trouble-free aggregation of another machine with Kompaktomat.
- Formula for the calculation of the maximum permissible weight of additional equipment for aggregation with Kompaktomat:

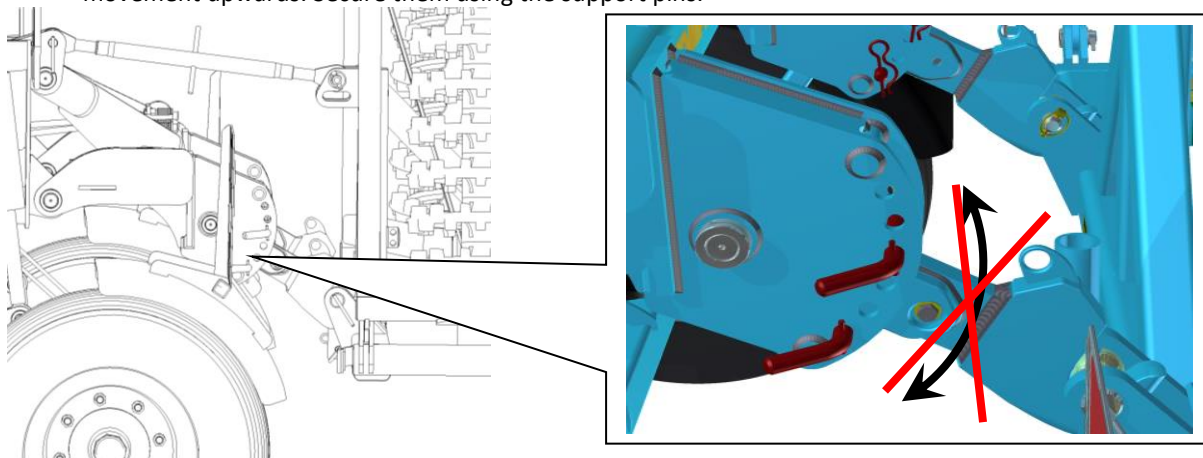
$$M = \frac{(-F_t * K_1) + (F_n * K_2)}{L + K_2}$$



TRANSPORT POSITION OF THE KOMPAKTOMAT THREE-POINT HITCH

ARMS

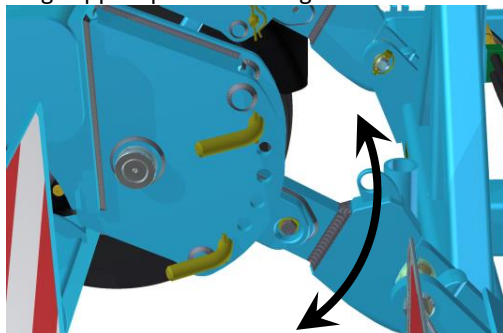
- Before driving the set on roads, you have to secure the arms of the Kompaktomat hitch against movement upwards. Secure them using the support pins.



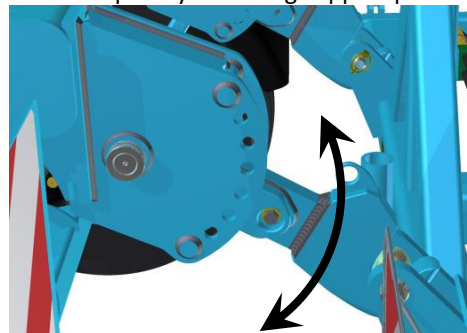
WORKING POSITION OF THE KOMPAKTOMAT THREE-POINT HITCH ARMS

- The arms must be allowed to swivel in order to let the equipment aggregated to Kompaktomat freely trace the terrain.
- This is done as follows:

1. Moving support pins to the edge holes of the brackets.



2. Completely removing support pins.



- Moving or removing support pins allows free terrain tracing of the machine aggregated to Kompaktomat. At the same time, the rear roller of Kompaktomat will not be overloaded in the working position.
- Failure to observe this adjustment will damage the structure and rear roller of Kompaktomat, for which the Manufacturer shall not be liable.



8.1 AGGREGATION WITH PNEUMATIC DRILL MACHINE

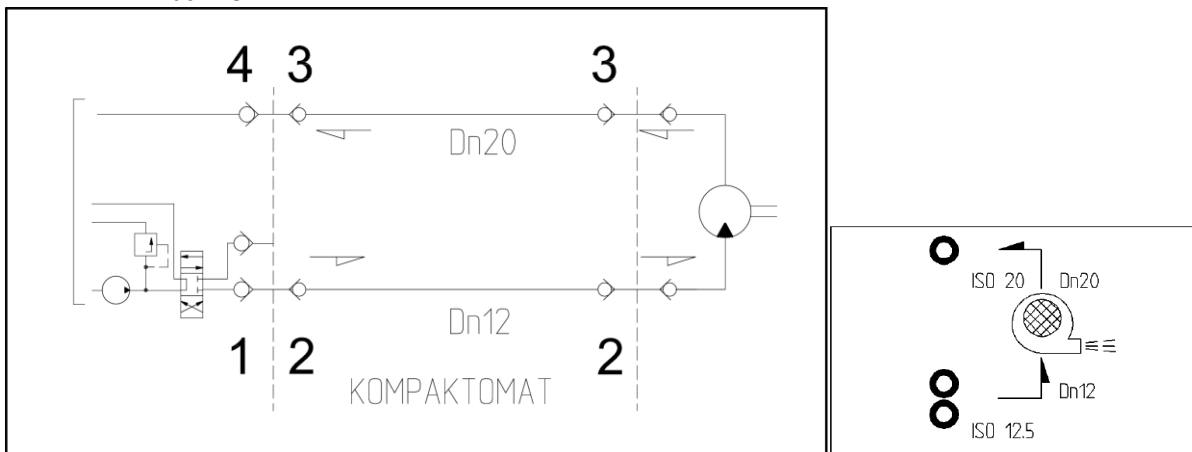


➤ Pneumatic drill machines that have a fan driven by a fluid motor, not a drive shaft, may be aggregated with Kompaktomat.

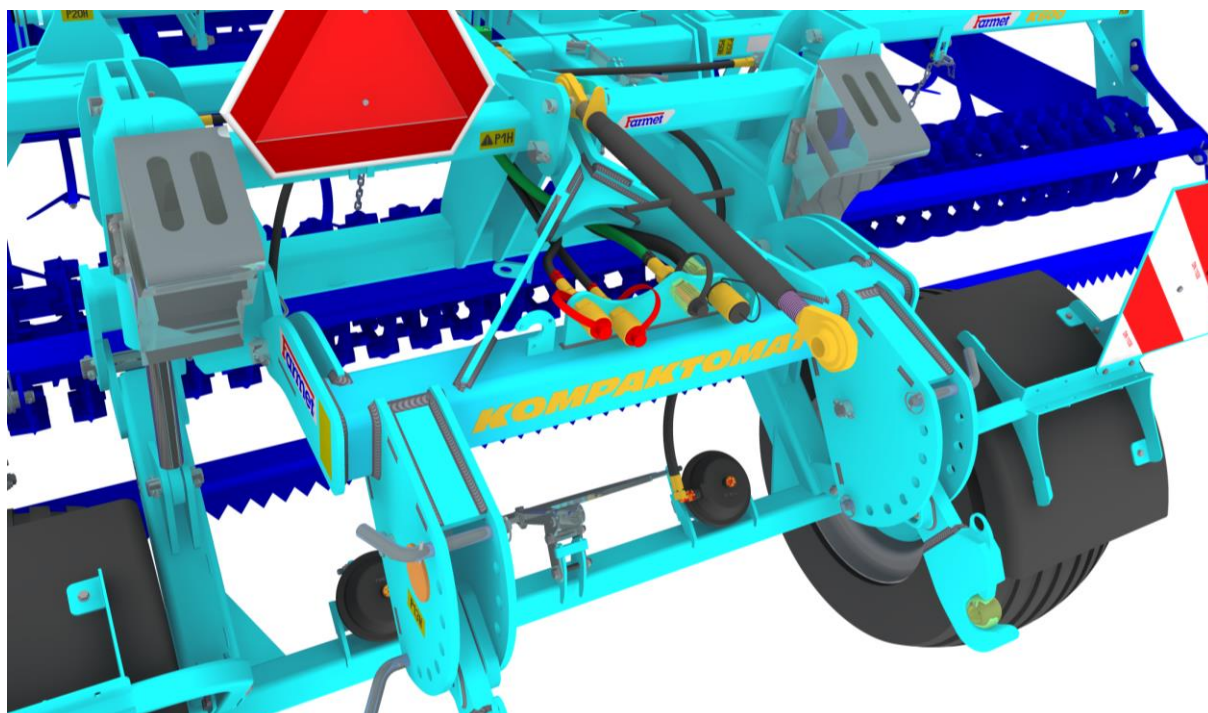
➤ To aggregate Kompaktomat and the pneumatic drill machine with a fluid fan motor, Kompaktomat can be optionally equipped with:

○ **HYDRAULIC DISTRIBUTION**

- A set of hydraulic components providing the transport of hydraulic oil from the tractor to the drill machine.



- 1-Control distributor in the tractor
- 2-Hydraulic snap couplings ISO 12.5
- 3-Hydraulic snap couplings ISO 20
- 4-Free waste into the tractor tank

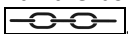


○ **CIRCUIT FOR CONTROLLING MARKERS**

- A set of hydraulic components providing the transport of hydraulic oil from the tractor to the drill machine.



9. MAINTENANCE AND REPAIRS OF THE MACHINE

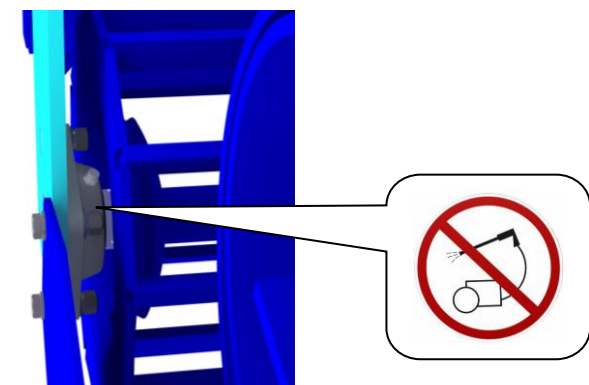
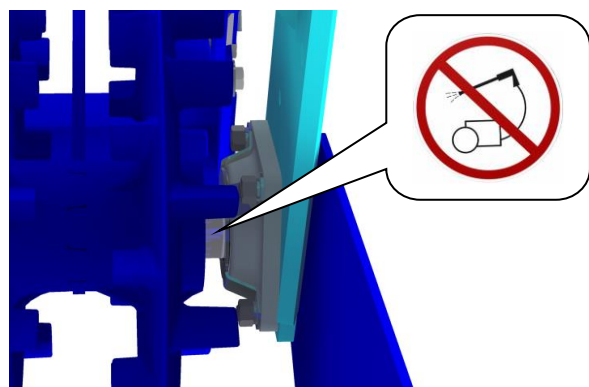
- **Observe the safety instructions and regulations for maintenance and repairs.**
- Check that all screws and other assembly points are tight before each use of the machine and whenever needed.
- Regularly check the prescribed pressure in tyres of the machine and the condition of the tyres.
- Regularly check the wear and tear of the working parts of the machine. The quality of work decreases with the worn working parts.
- Lubricate all indicated lubrication places according to Chapter 9.1.
- Replace shares according to Chapter 9.2.
- Adjusting, cleaning and lubricating the machine may only be performed when the machine is standing still, i.e. the machine is stopped and is not working.
- When adjusting, cleaning, maintaining and repairing the machine, secure the folding and rotary parts of the machine that could put the operator in danger by fall or other movement.
- When repairing the unfolded machine parts, use a suitable support device leaning against labelled places or appropriate places.
- For attaching the machine when manipulating it with the use of lifting equipment, use only places marked by stick-on labels with the symbol of a chain .
- If there is a defect or damage on the machine, immediately turn off the tractor engine and secure the engine from turning on, secure the set and the machine against movement ⇒ then you can remove the defect.
- When repairing the machine, use only original spare parts, suitable tools and protective equipment.
- Order original spare parts according to the Spare Parts Catalogue.
- If you have to weld during the repair and have the machine attached to the tractor at the same time, the supply cables have to be disconnected from the alternator and accumulator.
- Keep the machine clean.



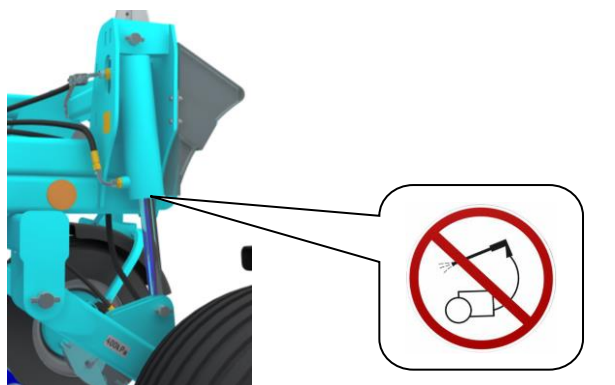
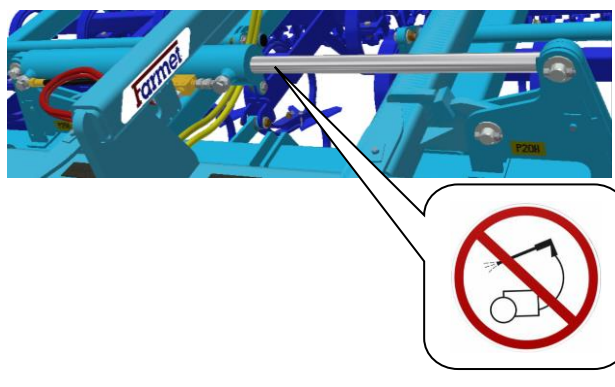
We do not recommend cleaning the hydraulic piston-rod and bearings of working rollers by high-pressure wash or by washing with direct water stream.

The sealing of the piston-rod and bearings of the rollers might get damaged during high-pressure wash or direct stream of water.

BEARINGS OF ROLLERS






PISTON-ROD PARTS



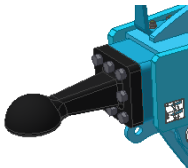
MAINTENANCE PLAN

Perform the planned maintenance according to the instructions:

Maintenance Task	Daily (season)	Once a week	Before season	After season	Time interval
Machine in general					
<ul style="list-style-type: none"> Visual inspection of the machine Checking for any undesirable sounds, vibrations and excessive wear 	X				
<ul style="list-style-type: none"> Checking crucial nodes: pins, bearings, rollers, working parts 	X		X	X	
<ul style="list-style-type: none"> Machine cleaning Storing the machine under roof, if possible Recording the mileage of the machine/season (ha) 		X		X	
<ul style="list-style-type: none"> Comprehensive inspection Checking the frame 	X			X	
<div style="display: flex; align-items: center;">  <p>Do not use a high-pressure cleaner or direct stream of water to clean the hydraulic rollers, bearings, electric and electronic parts. The seals and bearings are not waterproof at high pressure.</p> </div>					
Hydraulic system					
Checking the function, tightness, mounting and worn spots of all hydraulic parts and hoses		X	X		
Hydraulic hoses – replacement: <ul style="list-style-type: none"> Damaged external casing of the hose (mechanically or blistered) Fluid seepage (especially the end piece) Bumps or blisters on the hose Deformed or corroded end piece Loose end piece – the hose spins 	X			X	
Hydraulic hoses - replacement: <ul style="list-style-type: none"> Expired service life of the hose <div style="display: flex; justify-content: space-around; margin-top: 10px;">   </div>					6 years
<p>!!! PREVENTION means removing the problem according to the plan, outside the season, without stress and comfortably before a secondary problem, an accident or a health hazard arises.</p>					

MAINTENANCE PLAN

Perform the planned maintenance according to the instructions:

Maintenance Task	Daily (season)	Once a week	Before season	After season	Time interv al						
Bolt connections											
Visual inspection of bolt and hydraulic joints, tighten any loose joints using a corresponding torque (see the torque chart)	X			X							
Towing lug – check, tighten if needed <table border="1" style="margin-left: 20px; margin-top: 10px;"> <tr> <td>M16 - 10.9.</td> <td>300 Nm</td> </tr> <tr> <td>M20 - 10.9.</td> <td>560 Nm</td> </tr> </table> 	M16 - 10.9.	300 Nm	M20 - 10.9.	560 Nm		X	X				
M16 - 10.9.	300 Nm										
M20 - 10.9.	560 Nm										
Wheels – tighten all wheel nuts. <ul style="list-style-type: none"> • First time: after 10 hours of operation • Wheel replacement: after 10 hours of operation <table border="1" style="margin-left: 20px; margin-top: 10px;"> <tr> <td>M 18 x 1.5</td> <td>300 Nm</td> </tr> <tr> <td>M 20 x 1.5</td> <td>400 Nm</td> </tr> <tr> <td>M 22 x 1.5</td> <td>500 Nm</td> </tr> </table>	M 18 x 1.5	300 Nm	M 20 x 1.5	400 Nm	M 22 x 1.5	500 Nm		X	X		
M 18 x 1.5	300 Nm										
M 20 x 1.5	400 Nm										
M 22 x 1.5	500 Nm										
Brake system											
Brake line and hoses – check the function, tightness, mounting and clamping, or breaking	X		X	X							
Brake components – check the function, tightness, mounting	X		X	X							
Air nozzle – drain using the draining valve		X		X							
Draining valve – check the function, clean and replace sealing			X	X							
Pipe filter – clean			X	X							
Brake/parking brake – check the function, escapement setting 25-45mm	X										
Brake lining – check the condition of the brake lining, min. thickness of 3mm				X							
Wheels/axle											
Checking the tyre pressure											
Transport axle	K300P, K400-450PS	400/60-15,5 pressure 350kPa	X		X						
Transport axle bearings – check and adjust allowance if needed (in the workshop)					X						

MAINTENANCE PLAN

Perform the planned maintenance according to the instructions:

Maintenance Task	Daily (season)	Once a week	Before season	After season	Time interval
Electric cables					
Check for any damage, replace if needed		X	X		
Safety measures					
Lighting and safety hatched boards – check the condition, function and cleanliness	X		X		
Hazard and safety labels – check that they are installed and legible		X			
Machine lubrication plan					
Drawbar joint / lifting loop – grease	X			X	
Handbrake bolt – grease or suitable oil	X			X	
Axle bearings – grease with Lithium content – check, refill if needed				X	
After season					
Entire machine					
<ul style="list-style-type: none"> ● Treat and clean the machine; do not spray oil or similar agents on the plastic parts ● Spray the piston-rods of the hydraulic cylinders with suitable anti-corrosion agents ● Check the tightness of all bolt and plug-in connections (see the torque chart) ● Check for any damage of the electric cables and replace if needed 					
Brake system					
<ul style="list-style-type: none"> ● Preserve the anti-freeze fluid for air-brake systems (about 0.1l), ethanol-free, before the last ride, use fluid recommended by the tractor manufacturer. ● Secure the machine against movement by Scotch blocks. ● Release the parking brake, release air from the air nozzle and close the brake lines. The service brake must be released during winter so that it does not get stuck on the brake drum 					
Points of lubrication					
Grease the points of lubrication according to the lubrication plan, use grease KP2P-20 Likx , under DIN 51 502					
<p>!!! PREVENTION means removing the problem according to the plan, outside the season, without stress and comfortably before a secondary problem, an accident or a health hazard arises.</p>					

9.1 LUBRICATION PLAN FOR THE MACHINE

Regular lubrication of lubricating places increases the usable life of the nodes and the machine. Perform lubrication according to the "Lubrication Plan".

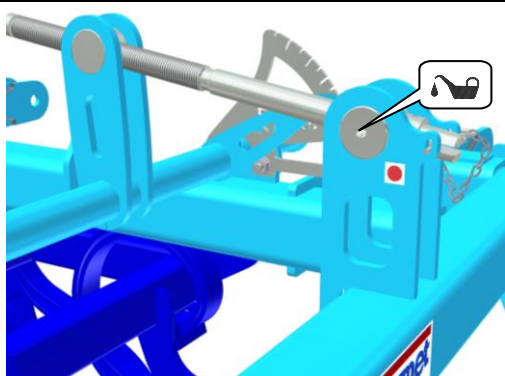
When lubricating the bearings of the rollers, observe caution so that you do not damage the bearings. When lubricating the bearings of the rollers, turn the roller around so that the lubricant spreads evenly.

Lubricate the nodes until clean lubricant is coming out of them. Then wipe the lubricant off.

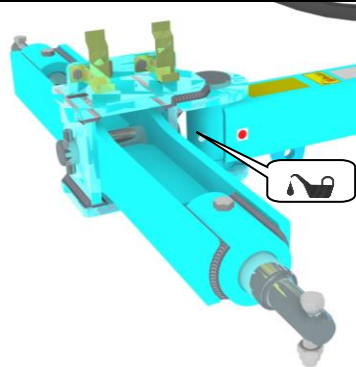
Places and intervals of lubrication

PLACE FOR LUBRICATION	INTERVAL	LUBRICANT
Controlling handle	-Always before work with the machine.	-Plastic lubricant according to DIN 51 502
Pole joint	Always after the work and before putting the machine out of operation.	1) K EP2 - 30 2) KP2P-20 Likx

Lubricating the controlling handle



Lubricating the pole joint



MANIPULATION WITH LUBRICANTS:



- Treat oils and lubricants as hazardous waste according to valid regulations and acts.
- Protect yourself from direct contact with oils by using gloves or protective lotion.
- Wash oil stains on skin thoroughly with warm water and soap. Do not clean the skin with petrol, diesel oil or other dissolving agents.
- Oil or lubricant is poisonous. If you swallow any, immediately seek a doctor.
 - Keep oil and lubricants out of reach of children.



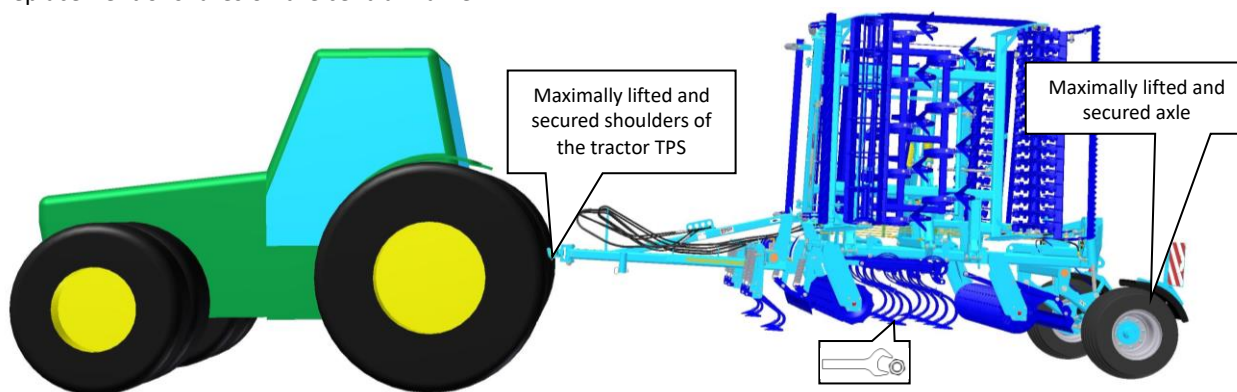
9.2 REPLACEMENT OF WORN SHARES

- Always observe the safety regulations and instructions when replacing shares.
- The machine must be aggregated with the tractor according to chapter 5.1/p.18 when shares are replaced. The tractor must be turned off and the operator or repairer must prevent free access of unauthorized persons to the tractor.
- Replace the shares on solid and even surface and when the machine is standing still.
- If the hydraulic system of the tractor is not tight, you have to provide mechanical supports for the machine pole.

9.2.1 REPLACEMENT OF WORN SHARES ON THE CENTRAL FRAME

- Only for combinator K300P.
- Place the machine into the transport position according to chapter 5.3.1/p.21.
- Lift the rear arms of the tractors TPH with the aggregated machine to the maximum position and secure it against falling. Then you can replace the worn shares.

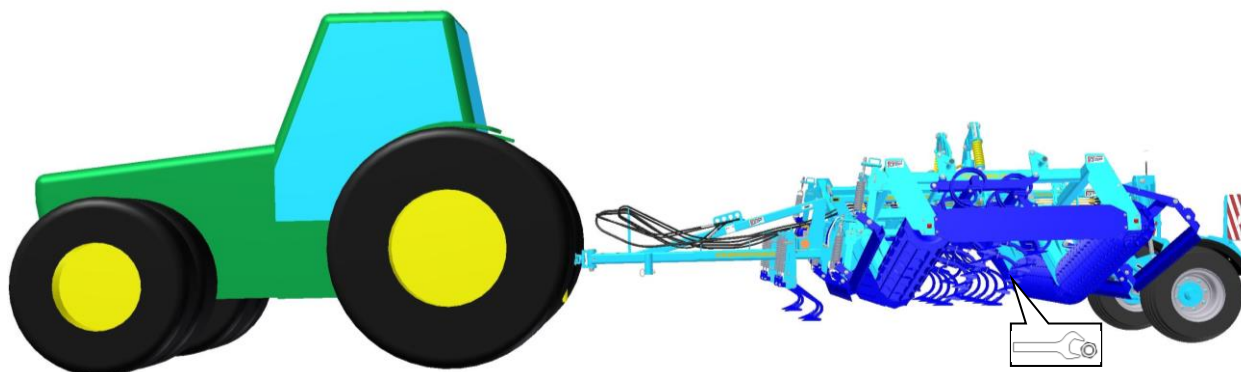
Replacement of shares on the central frame



9.2.2 REPLACEMENT OF WORN SHARES OF THE SIDE FRAME

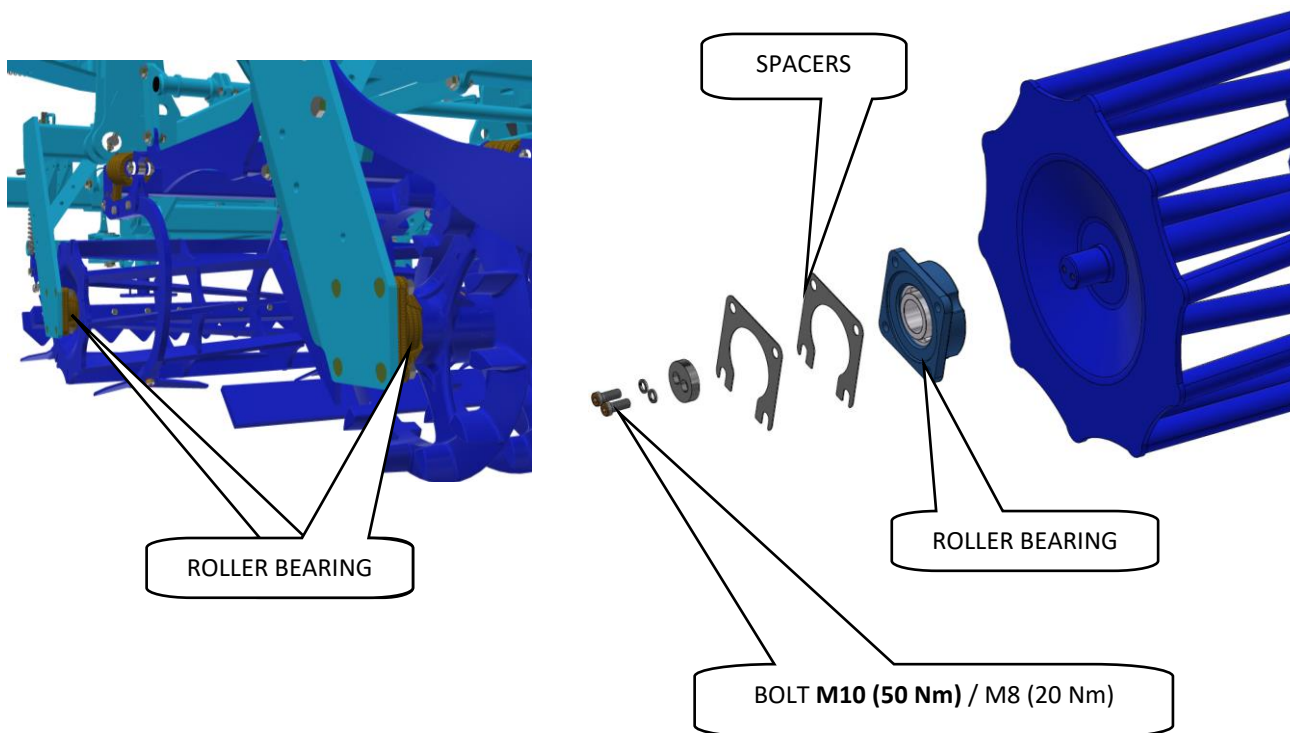
- Place the machine into the transport position according to chapter 5.3.1/p.21.
- Replace the shares you can reach.
- To replace shares you cannot reach, unfold the side frames into the position when they are almost in the working position. In this position secure the side frames by a mechanical support against unexpected fall.
- When the side frames are secured, you can start replacing the shares.

Replacement of shares on the side frames



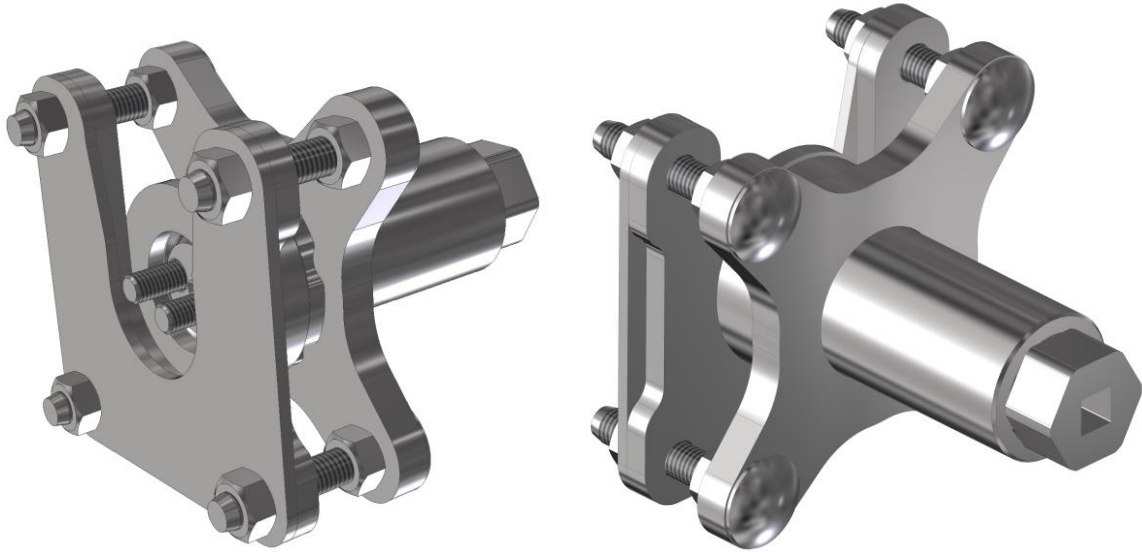
9.3 REPLACEMENT OF THE WORKING ROLLER BEARINGS

- Always follow the safety regulations and directives when replacing the bearings of rollers.
- The machine must be aggregated with the tractor according to Chapter “5.1/p.18” when replacing the bearings. The tractor engine must be switched off for the replacement of bearings and the operator, or repairman, must prevent any access to unauthorised persons to the tractor.
- Only replace the roller bearings on a solid and flat ground and when the machine is in standstill.
- In the case of leaks in the tractor hydraulic system, you are required to provide mechanical supports under the machine drawbar.

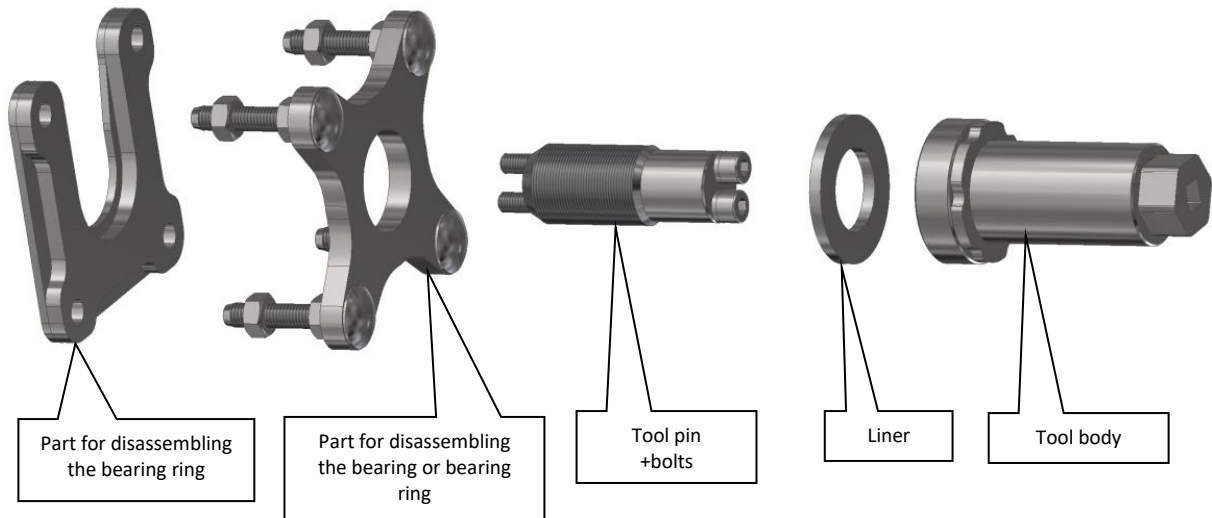


9.3.1 USING THE TOOL FOR BEARING DISASSEMBLY AND ASSEMBLY

➤ The tool placed in the box on the machine.



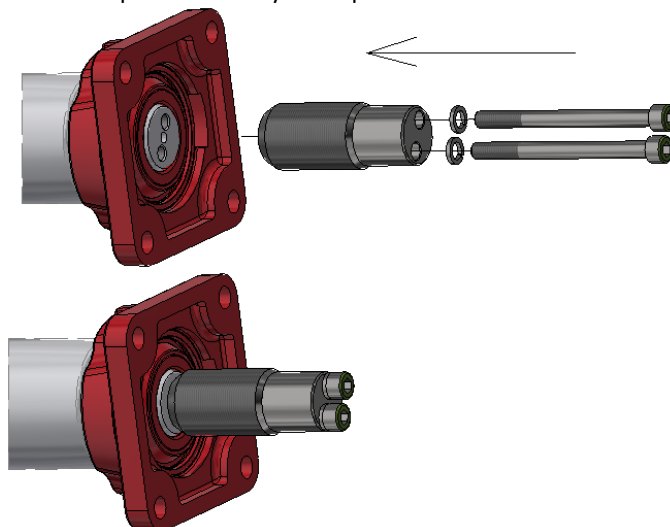
Tool parts:



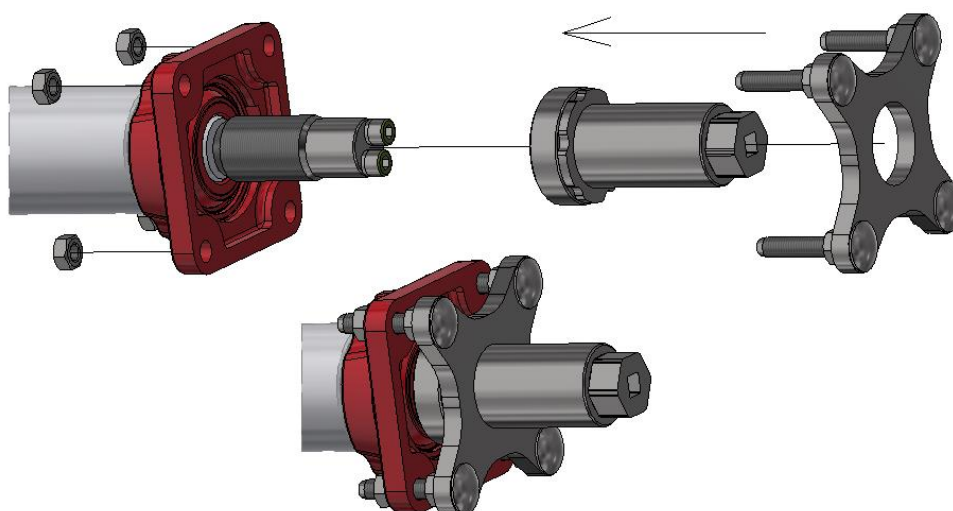
9.3.1.1 COMPLETE BEARING DISASSEMBLY

➤ Procedure:

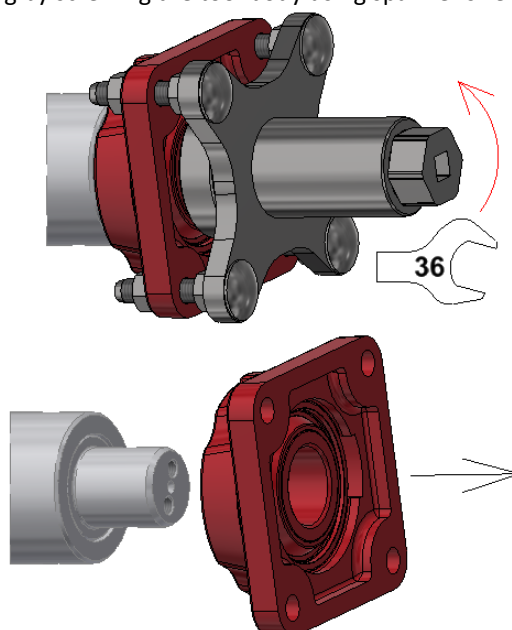
- .1 Mount and screw the tool pin onto the cylinder pin.



- .2 Screw the tool body in, insert the part for bearing disassembly and mount onto the bearing using the nuts.



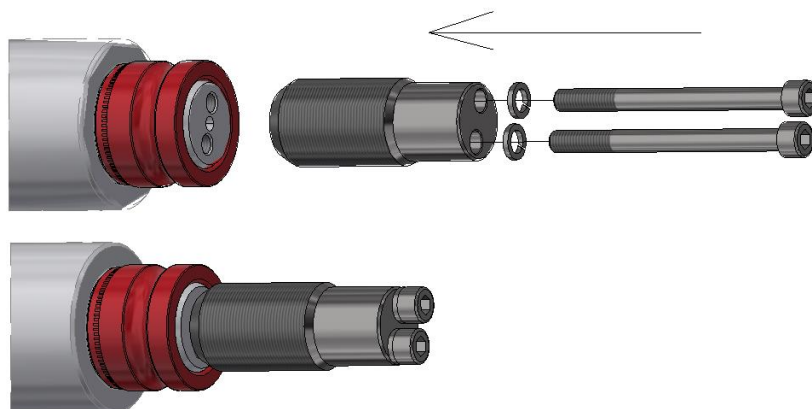
- .3 Disassemble the bearing by screwing the tool body using spanner size 36.



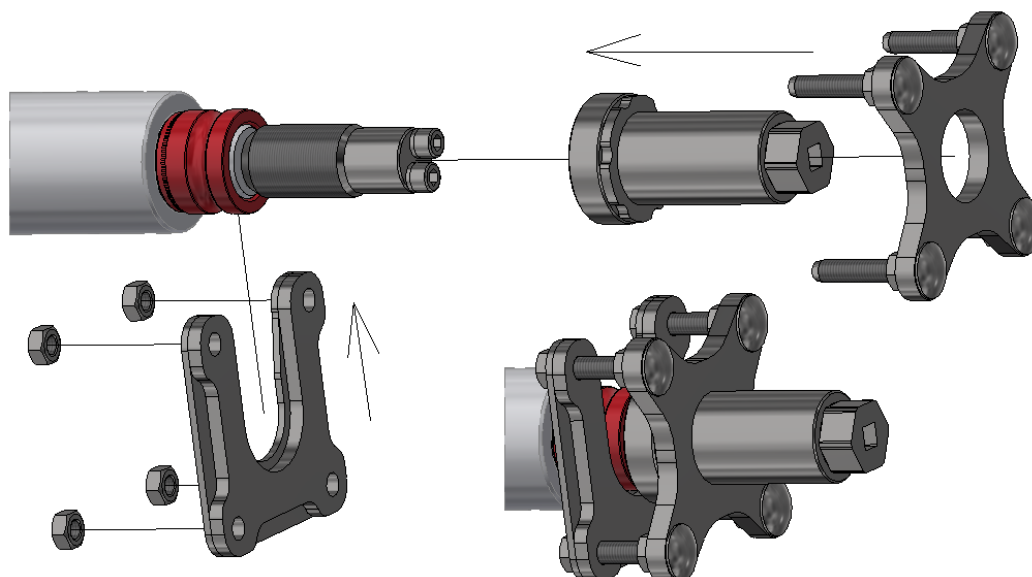
9.3.1.2 DISASSEMBLY OF THE RING

➤ Procedure:

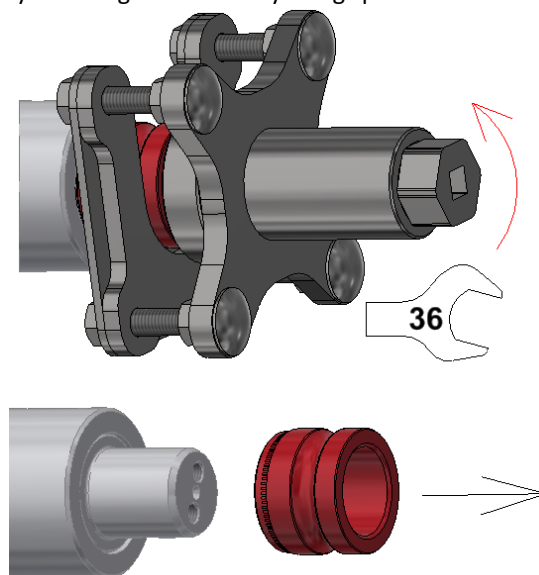
- .1 Mount and screw the tool pin onto the cylinder pin.



- .2 Screw the tool body, mount the part for disassembling the bearing, mount the part for disassembling the ring and attach it using the nuts.



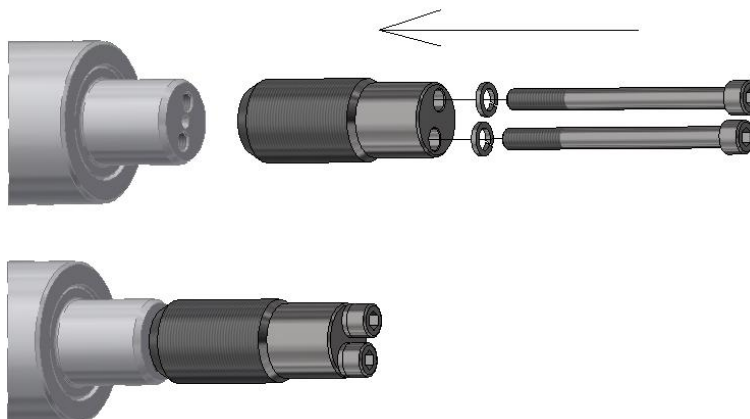
- .3 Disassemble the ring by screwing the tool body using spanner size 36.



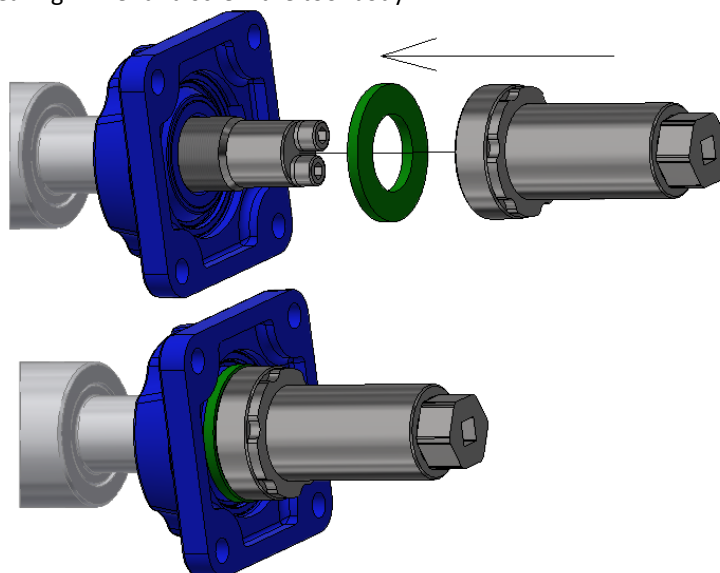
9.3.1.3 ASSEMBLING BEARINGS ONTO PINS

➤ Procedure:

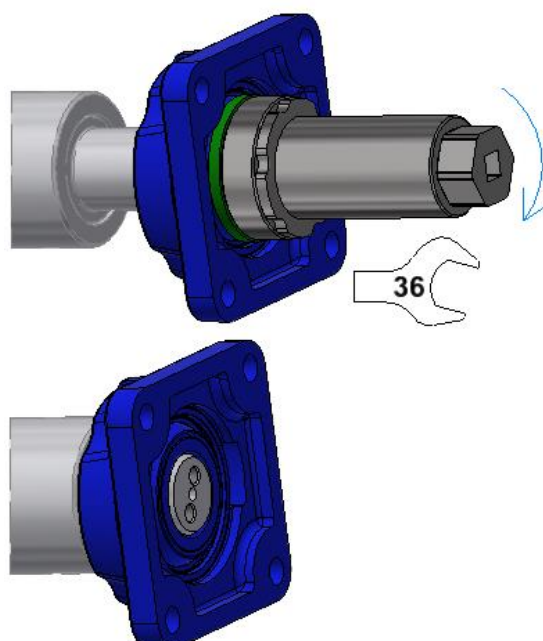
- .1 Mount and screw the tool pin onto the cylinder pin.



- .2 Mount the bearing + liner and screw the tool body in.

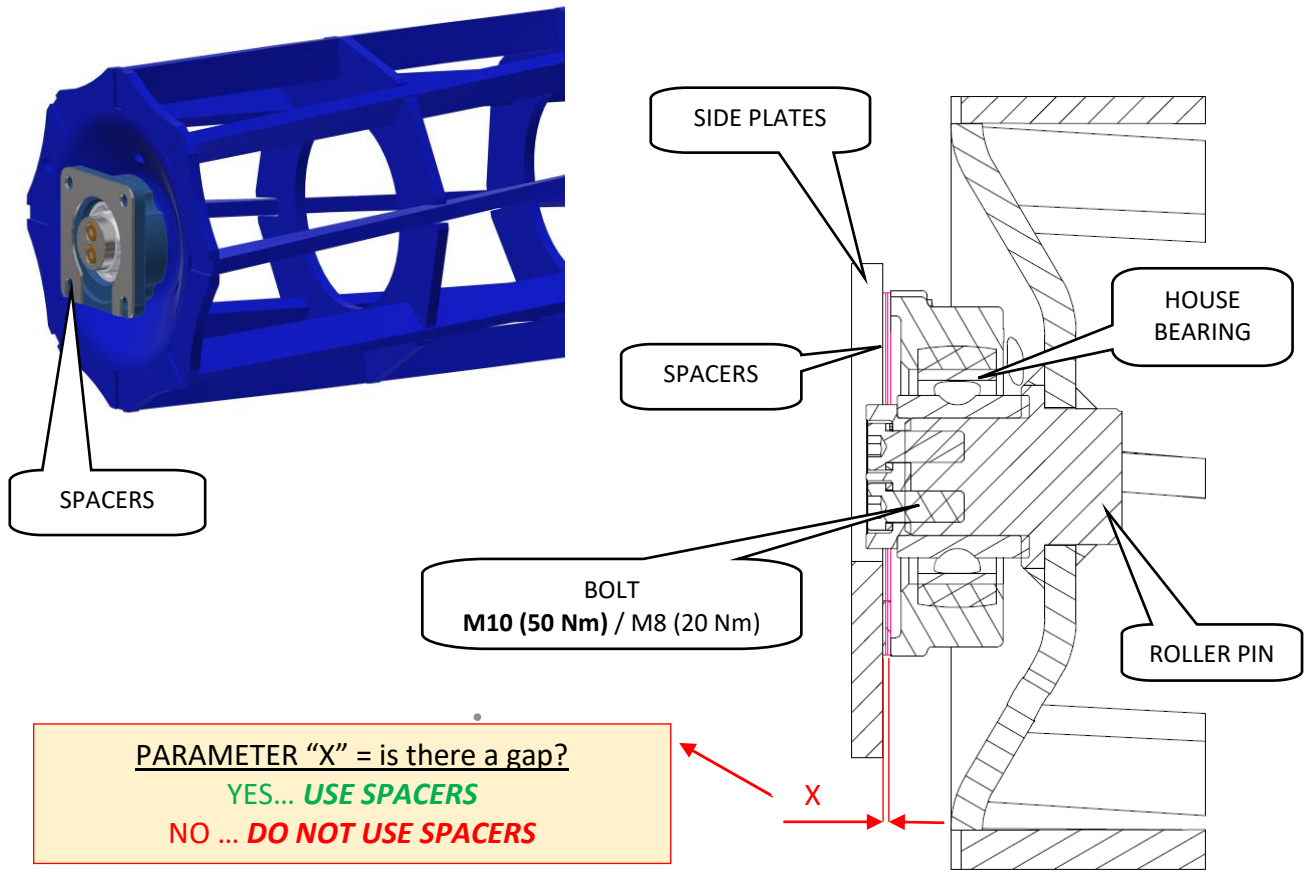


- .3 Assemble the bearing by screwing the tool body using spanner size 36.



9.3.2 USING SPACER

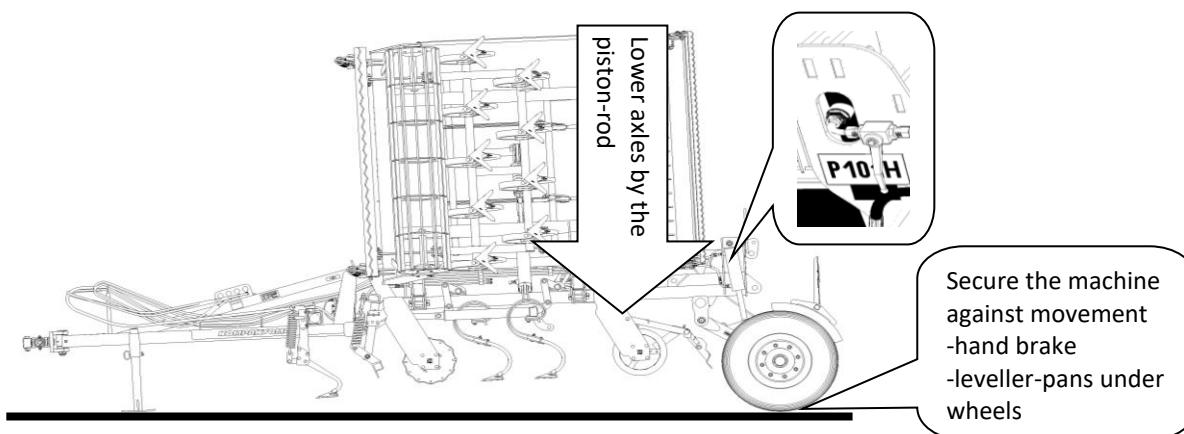
- The spacers are used for defining production tolerances. Therefore, they do not have to be always used.
 - Mount the house bearings to the rollers
 - Insert the roller with the bearings between the frame side plates and assess whether you need to use the SPACERS



10. MACHINE STORAGE – LONG-TERM MACHINE SHUTDOWN:

- Store the machine under a roof, if possible.
- Store the machine on an even and solid ground with sufficient bearing capacity.
- Clean the machine before storing and make sure that the machine is not damaged during the storage. Pay special attention to all labelled lubricating places and lubricate the machine according to the lubrication plan.
- Store the machine with folded frames in the transport position. Leave the machine on the axle and the standing leg; secure the machine against movement with wedges or other suitable instruments.
- The machine must not be leaning on the shares as they may get damaged.
- Prevent access by unauthorized persons to the machine.
- Lower the axle of the machine into a lower position with the use of the hydraulic circuit; secure the piston-rods with ball valves.

Lowering the height of the machine on the axle when laying it off



11. PROTECTION OF ENVIRONMENT

- Check the tightness of the hydraulic system regularly.
- Replace or repair hydraulic tubes or other parts of the hydraulic system showing signs of damage, before oil starts to leak.
- Check the condition of hydraulic tubes and execute their timely replacement. The usable life of hydraulic tubes also includes the storage time.
- Treat oils and lubricants according to valid acts and regulations on wastes.

12. MACHINE DISPOSAL AFTER SERVICE LIFE EXPIRE

- The operator must ensure during machine disposal that steel parts and parts, in which hydraulic oil or lubricating grease moves are differentiated.
- Steel parts must be cut by the operator while observing safety regulations and handed over to the secondary raw material collection point. He must proceed with other parts according to valid laws about waste.

13. SERVICING AND WARRANTY CONDITIONS

13.1 SERVICING

Servicing is secured by the dealer after consulting with the manufacturer, possibly directly by the manufacturer. Spare parts then using the sales network by individual sellers in the entire country. Use only the spare parts according to the spare parts catalogue officially issued by the manufacturer.

13.2 WARRANTY

- 13.2.1** The manufacturer provides a warranty of 24 months for these machine parts: main frame, axle, and machine tow bar. For other parts of the machine, the manufacturer provides a warranty of 12 months. The warranty is provided from the date of sale of the new machine to the end user (consumer).
- 13.2.2** The warranty applies to hidden defects that will show in the warranty period with proper use of the machine and while fulfilling the conditions stated in the operating manual.
- 13.2.3** The warranty does not apply to wearable spare parts, i.e. regular mechanical wear and tear of replaceable parts of the working sections (shares, edges, etc.).
- 13.2.4** The warranty does not apply to indirect consequences of possible damage, such as service life decrease etc.
- 13.2.5** The warranty is bound to the machine and is not void upon an owner change.
- 13.2.6** The warranty is limited to the disassembly and assembly, possibly replacement or repair of the defective part. The decision, whether to replace or repair the defective part, is up to the contractual workshop of Farmet.
- 13.2.7** During the warranty period, only the authorised servicing technician of the manufacturer may perform repairs or other interventions into the machine. In the opposite case, the warranty will not be acknowledged. This provision does not apply to the replacement of wearable spare parts (see point 13.2.3).
- 13.2.8** The warranty is conditioned by using the genuine spare parts of the manufacturer.

(CZ) ES PROHLÁŠENÍ O SHODĚ
 (GB) CE CERTIFICATE OF CONFORMITY
 (D) EG-KONFORMITÄTSEKTLÄRUNG
 (F) DÉCLARATION CE DE CONFORMITÉ
 (RU) СЕРТИФИКАТ СООТВЕТСТВИЯ ЕС
 (PL) DEKLARACJA ZGODNOŚCI WE

1. (CZ) My (GB) We (D) Wir (F) Nous (RU) Мы (PL) My: **Farmet a.s.**
 Jiřinková 276
 552 03 Česká Skalice
 Czech Republic
 DIČ: CZ46504931
 Tel/Fax: 00420 491 450136

(CZ) Vydáváme na vlastní zodpovědnost toto prohlášení. (GB) Hereby issue, on our responsibility, this Certificate. (D) Geben in alleiniger Verantwortung folgende Erklärung ab. (F) Publiions sous notre propre responsabilité la déclaration suivante. (RU) Под свою ответственность выдаем настоящий сертификат. (PL) Wydajemy na własną odpowiedzialność niniejszą Deklarację Zgodności.

2. (CZ) Strojní zařízení: - název : **Polonesný kompaktomat**
 (GB) Machine: - name : **Semi-Mounted Kompaktomat**
 (D) Fabrikat: - Bezeichnung : **Aufsattelgeräte Kompaktomat**
 (F) Machinerie: - dénomination : **Compactomats de semi-portage**
 (RU) Сельскохозяйственная машина: - наименование : **Полунавесной компактомат**
 (PL) Urządzenie maszynowe: - nazwa : **Półwieszony Kompaktomat**
- typ, type : **KOMPAKTOMAT-P**
 - model, modèle : **K 300 P**
 -- PIN/VIN :
- (CZ) výrobní číslo :
 - (GB) serial number
 - (D) Fabriknummer
 - (F) n° de production
 - (RU) заводской номер
 - (PL) numer produkcyjny:

3. (CZ) Příslušná nařízení vlády: č.176/2008 Sb. (směrnice 2006/42/ES). (GB) Applicable Governmental Decrees and Orders: No.176/2008 Sb. (Directive 2006/42/ES). (D) Einschlägige Regierungsverordnungen (NV): Nr.176/2008 Slg. (Richtlinie 2006/42/ES). (F) Décrets respectifs du gouvernement: n°.176/2008 du Code (directive 2006/42/CE). (RU) Соответствующие постановления правительства: № 176/2008 Сб. (инструкция 2006/42/ES). (PL) Odpowiednie rozporządzenia rządowe: nr 176/2008 Dz.U. (Dyrektywa 2006/42/WE).

4. (CZ) Normy s nimiž byla posouzena shoda: (GB) Standards used for consideration of conformity: (D) Das Produkt wurde gefertigt in Übereinstimmung mit folgenden Normen: (F) Normes avec lesquelles la conformité a été évaluée: (RU) Нормы, на основании которых производилась сертификация: (PL) Normy, według których została przeprowadzona ocena: ČSN EN ISO 12100, ČSN EN ISO 4254-1.

(CZ) Schválil (GB) Approve by dne: 01.08.2023
 (D) Bewilligen (F) Approuvé
 (RU) Утвердил (PL) Uchwalilił

Ing. Petr Lukášek
 technický ředitel
 Technical director



Farmet a.s.
 Jiřinková 276
 552 03 Česká Skalice
 DIČ CZ46504931
 59

V České Skalici dne: 01.08.2023

Ing. Karel Žďárský
 generální ředitel společnosti
 General Manager



ES PROHLÁŠENÍ O SHODĚ
 CE CERTIFICATE OF CONFORMITY
 EG-KONFORMITÄTSERKLÄRUNG
 DÉCLARATION CE DE CONFORMITÉ
 СЕРТИФИКАТ СООТВЕТСТВИЯ ЕС
 DEKLARACJA ZGODNOŚCI WE

1. My We Wir Nous Мы My: **Farmet a.s.**
 Jiřínková 276
 552 03 Česká Skalice
 Czech Republic
 DIČ: CZ46504931
 Tel/Fax: 00420 491 450136

Vydáváme na vlastní zodpovědnost toto prohlášení. Hereby issue, on our responsibility, this Certificate. Geben in alleiniger Verantwortung folgende Erklärung ab. Publiions sous notre propre responsabilité la déclaration suivante. Под свою ответственность выдаем настоящий сертификат. Wydajemy na własną odpowiedzialność niniejszą Deklarację Zgodności.

2. Strojní zařízení: - název : **Polonesený sklápěný kompaktomat**
 Machine: - name : **Semi-Mounted unfolding Kompaktomat**
 Fabrikat: - Bezeichnung : **Klappbare Aufsattelgeräte Kompaktomat**
 Machinerie: - dénomination : **Compactomats de semi-portage basculants**
 Сельскохозяйственная машина: - наименование : **Полунавесной складной компактомат**
 Urządzenie maszynowe: - nazwa : **Półwieszony opuszczany Kompaktomat**

- typ, type : **KOMPAKTOMAT-PS**
 - model, modèle : **K 400 | 450 | 500 | 600 | 700 | 800 | 1000 PS**
 - PIN/VIN :

- výrobní číslo :
 - serial number
 - Fabriknummer
 - n° de production
 - заводской номер
 - numer produkcyjny:

3. Příslušná nařízení vlády: č.176/2008 Sb. (směrnice 2006/42/ES). Applicable Governmental Decrees and Orders: No.176/2008 Sb. (Directive 2006/42/ES). Einschlägige Regierungsverordnungen (NV): Nr.176/2008 Slg. (Richtlinie 2006/42/ES). Décrets respectifs du gouvernement: n°.176/2008 du Code (directive 2006/42/CE). Соответствующие постановления правительства: № 176/2008 Сб. (инструкция 2006/42/ES). Odpowiednie rozporządzenia rządowe: nr 176/2008 Dz.U. (Dyrektywa 2006/42/WE).

4. Normy s nimiž byla posouzena shoda: Standards used for consideration of conformity: Das Produkt wurde gefertigt in Übereinstimmung mit folgenden Normen: Normes avec lesquelles la conformité a été évaluée: Normы, на основании которых производилась сертификация: Normy, według których została przeprowadzona ocena: ČSN EN ISO 12100, ČSN EN ISO 4254-1.

Schwällil Approve by date: 01.03.2022
 Bewilligen Approuvé
 Утвердил Uchwalif

V České Skalici dne: 01.03.2022

Ing. Petr Lukášek
 technický ředitel
 Technical director

Ing. Karel Žďárský
 generální ředitel společnosti
 General Manager


Farmet a.s.
 Jiřínková 276
 552 03 Česká Skalice
 DIČ CZ46504931

59